

Melange Slub Pullover



Suggested yarn:

- Keito-Zakka Stores Melange Slab [100% wool; 118 yds/108m per 1.41 oz./40g skein]; color #13, 14 skeins [530g]

Tools/Notions:

- 6.6mm (approx. US 10½) knitting needles or size necessary to achieve gauge

Finished measurements:

- bust 102cm/40.16"
- cross back width 40cm/15.75"
- length 65cm/25.59"
- sleeve length 56.5cm/22.24"

Gauge (10cm/4" square):

- stockinette stitch: 14 sts and 18 rows

Gauge may vary according to individual knitting style. Change needle size if necessary to achieve gauge. Alternatively, rework pattern with your own gauge measurements.

Knitting Tips

Body, sleeves: Cast on with long-tail cast-on method and work in stockinette stitch. For shaping of front neckline, cast off stitches as indicated and work fully fashioned decreases 4 stitches in from edge.

Finishing: Seam shoulders with slip stitch seam. Seam sides and sleeve undersides with mattress stitch. Attach sleeves to body with slip stitch seam.

※Note: entire garment worked with 2 strands of yarn held together.

Abbreviations:

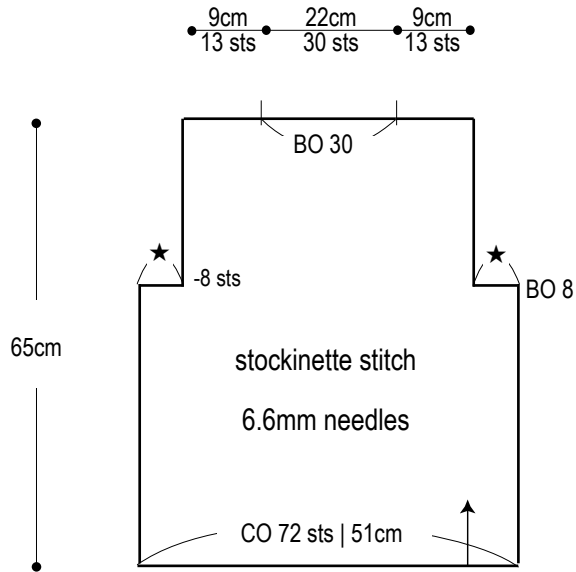
BO = bind off

CO = cast on

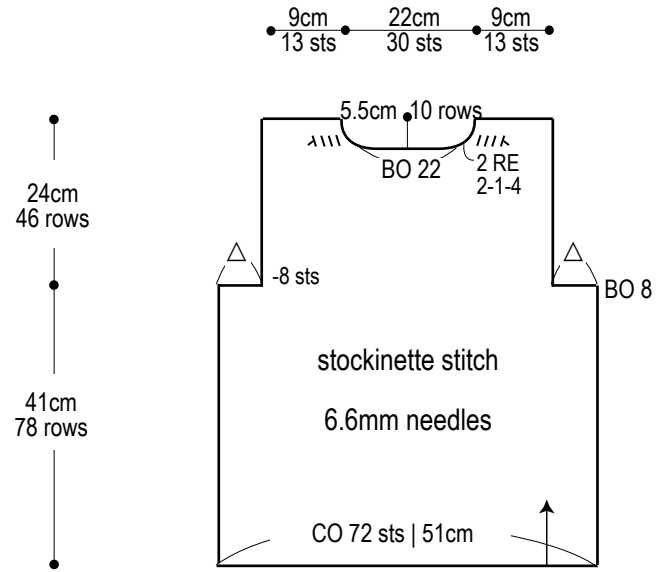
RE = row(s) even

#-#-# = rows-stitches-times

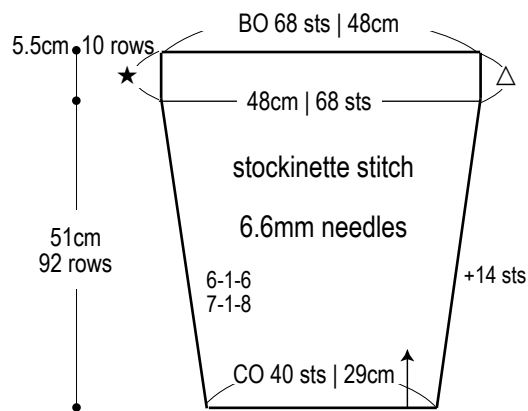
Back



Front



Sleeve



※Seam ★ on body to ★ on sleeve.

Seam △ on body to △ on sleeve.