

23-14 Sleeveless Sweater



Suggested yarn:

- Pierrot Yarns Silk Silpalon [50% silk, 50% silpalon acrylic; 273 yds/250m per 1.76 oz./50g cone]; color #6119 bronze, 4 cones [190g]

Tools/Notions:

- standard-gauge knitting machine (4.5mm needle pitch) **or** knitting needle size necessary to achieve gauge

Finished measurements:

- bust 92cm/36.22"
- cross back width 34cm/13.39"
- length 53cm/20.87"

Gauge (10cm/4" square):

- stockinette stitch: 33 sts and 45 rows

Gauge may vary according to individual knitting style. Change needle size if necessary to achieve gauge. Alternatively, rework pattern with your own gauge measurements.

Knitting Tips

Body: Cast on with provisional cast-on. Form double stockinette stitch hem by folding hem and rehanging cast-on stitches on needles. Shape armholes and neckline by binding off stitches and decreasing. Leave shoulder stitches live.

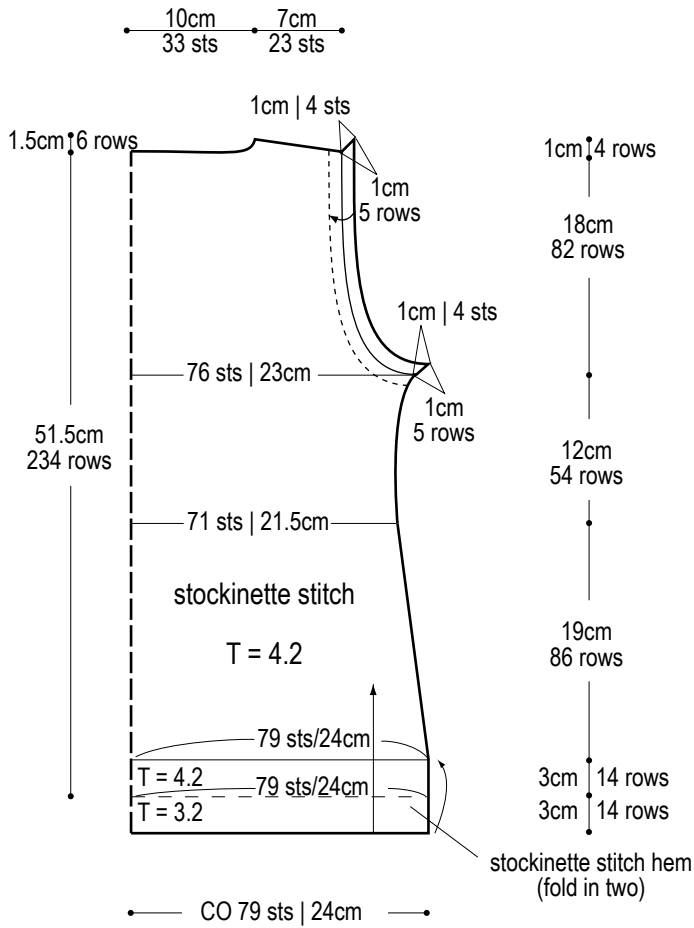
Collar: With right sides facing, hang shoulder stitches of front and back on needles (one shoulder at a time). Knit 1 row, then bind off using tapestry needle. Start collar with provisional cast-on. Fold where indicated and form double stockinette hem. Changing tension dial setting as indicated, knit collar with evenly spaced decreases. Attach collar to body with woven seam so that purl stitches show when looking at the right side of the fabric.

Finishing: Seam sides with mattress stitch. Whipstitch armholes to wrong side.

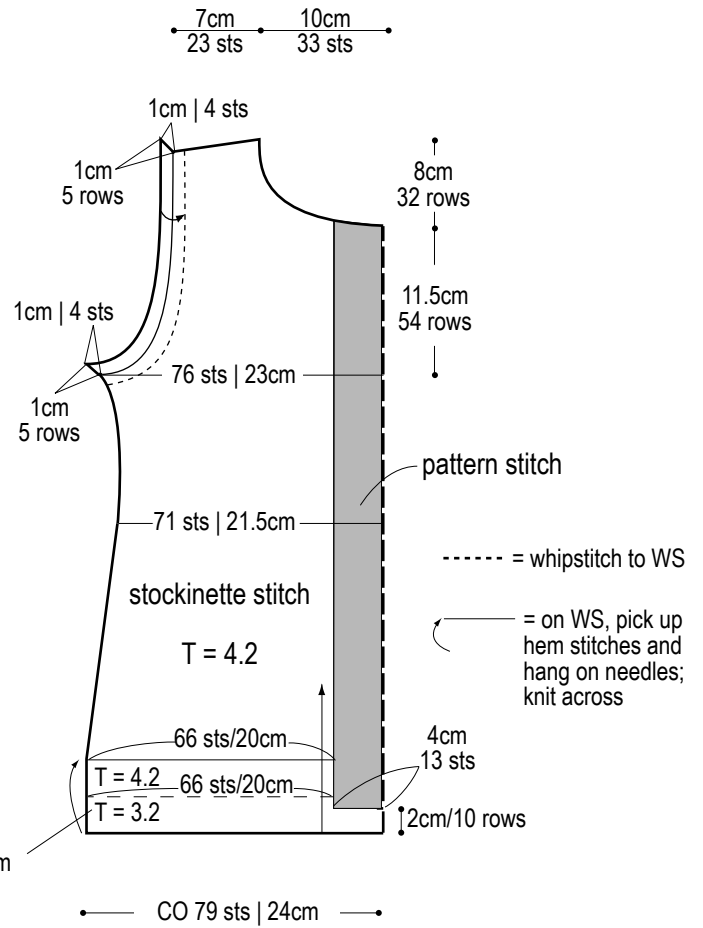
Abbreviations:

CO = cast on
dec = decrease
T = tension dial setting
WS = wrong side

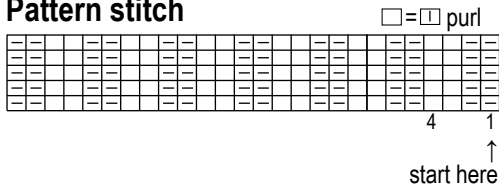
Back



Front



Pattern stitch



Collar (stockinette stitch)

