

211s-6 Fresco Lino Sweater



Suggested yarn:

- Pierrot Yarns Fresco Lino Fine [100% linen; 164 yds/150m per 1.76 oz./50g skein]; color #18 navy, 4 skeins [160g]

Tools/Notions:

- 2.3mm (approx. US B) crochet hook or size necessary to achieve gauge

Finished measurements:

- bust 96cm/37.80"
- length 48.5cm/19.09"

Gauge (10cm/4" square):

- pattern stitch: 6.5 nets wide by 6.5 nets tall

Gauge may vary according to individual crochet style. Change hook size if necessary to achieve gauge. Alternatively, rework pattern with your own gauge measurements.

Knitting Tips

Back and front: Create magic ring and referring to schematics, work 30 rounds out from the center.

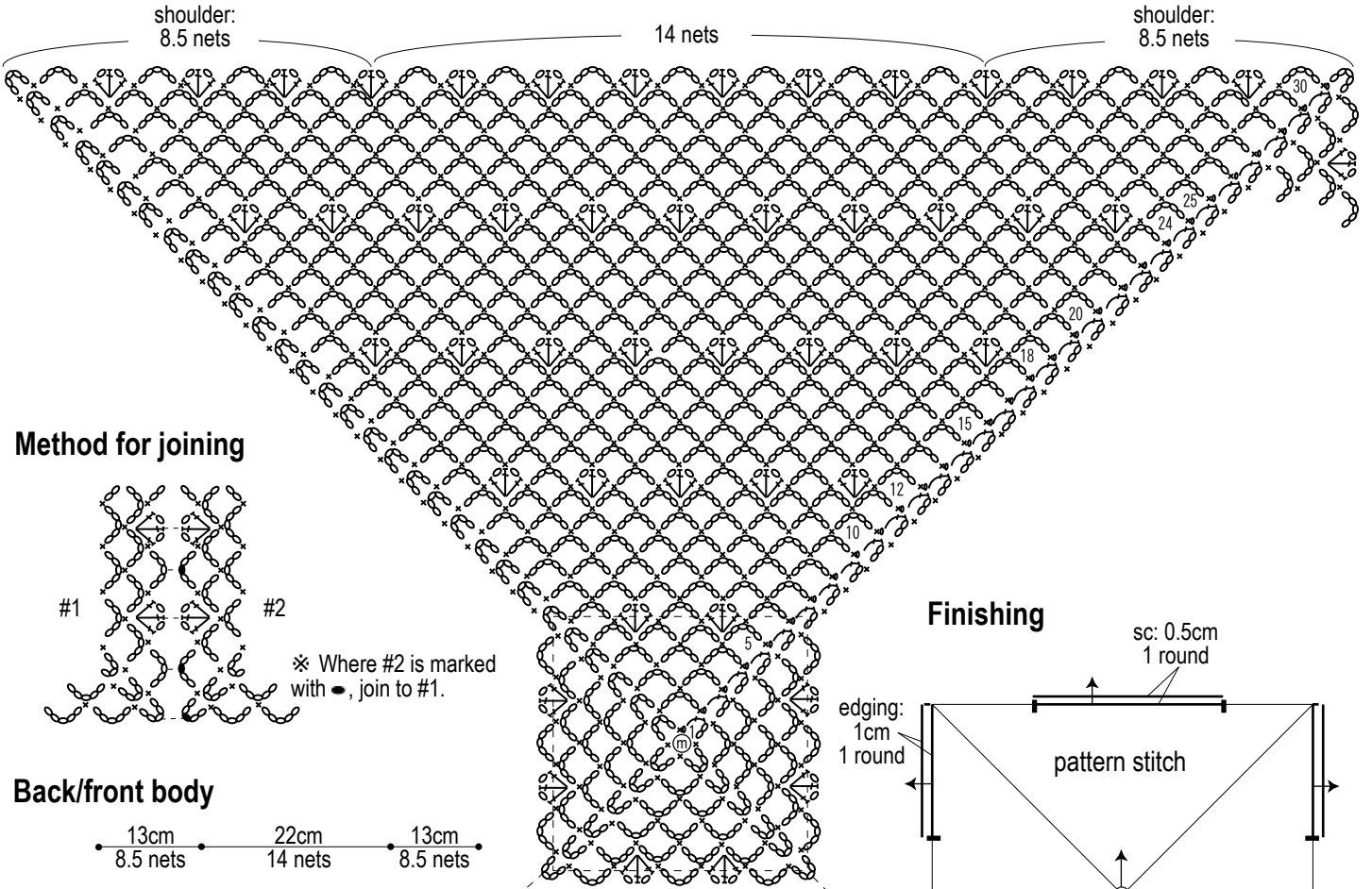
Finishing: Make 2 identical pieces for front and back, but for the second one, on row 30 join with slip stitch to first piece with wrong sides facing *only along underarm sides and shoulders*. (Be sure to leave arm and neckline openings unseamed). Work 1 round of single crochet (US) edging around hem and neckline. Work 1 round of edging in the round around armscyes.

Abbreviations:

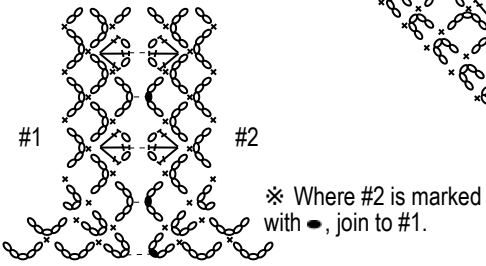
m = magic ring

sc = single crochet (US)

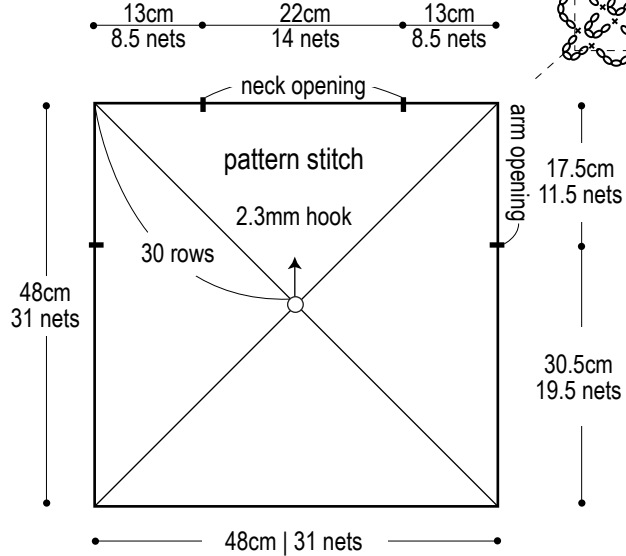
Pattern stitch (2.3mm hook)



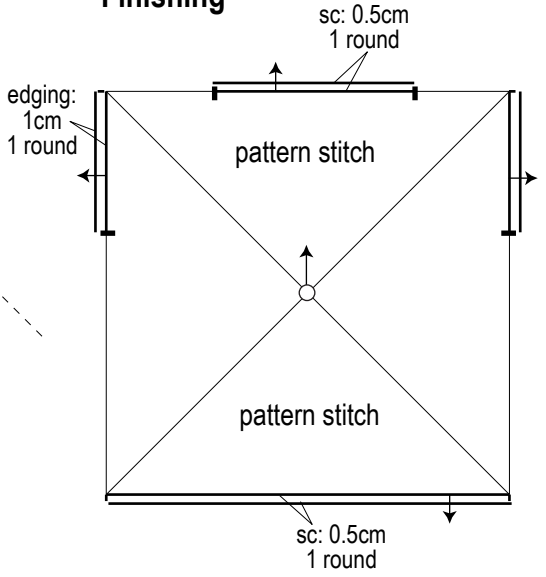
Method for joining



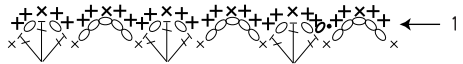
Back/front body



Finishing



Collar/hem sc edging (2.3mm hook)



Arm edging (2.3mm hook)

