

98-99-18 Casual Sweater



Suggested yarn:

• Pierrot Yarns Silk Cashmere [50% wool, 35% silk, 15% cashmere; 120 yds/110m per 1.76 oz./50g skein]; color #1818, 10 skeins [470g] - discontinued; please choose appropriate substitute

Tools/Notions:

- 3.3mm (approx. US 3), 3.6mm (approx. US 4 or 5) and 3.9mm (approx. US 6) knitting needles or sizes necessary to achieve gauge
- 2.3mm (approx. US B) crochet hook or size necessary to achieve gauge

Finished measurements:

- bust 88cm/34.65"
- cross back width 36cm/14.17"
- length 50cm/19.69"
- sleeve length 53cm/20.87"

Gauge (10cm/4" square):

- pattern stitch: 22 sts and 33 rows

Gauge may vary according to individual knitting style. Change needle size if necessary to achieve gauge. Alternatively, rework pattern with your own gauge measurements.

Knitting Tips

Body, sleeves: Cast on with crochet provisional cast-on method and work in pattern stitch according to schematics. Bind off hem and cuffs in pattern from the right side using a crochet hook. (For left front placket, increase 5 stitches using backwards-loop cast-on method.)

Collar: Seam shoulders with three-needle bind-off. Pick up stitches around neckline as shown on schematic; work in seedstitch, then bind off in pattern from the right side. Seam bottom of left front band on the wrong side using blind stitch.

Finishing: Seam sides and sleeve undersides with mattress stitch. Join sleeves to body with slip stitch.

Abbreviations:

BO = bind off

CO = cast on

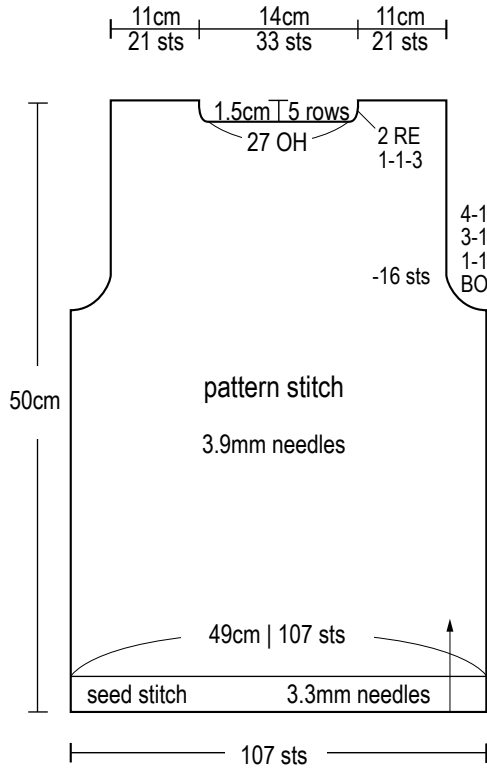
OH = on hold (place on stitch holder)

PU = pick up

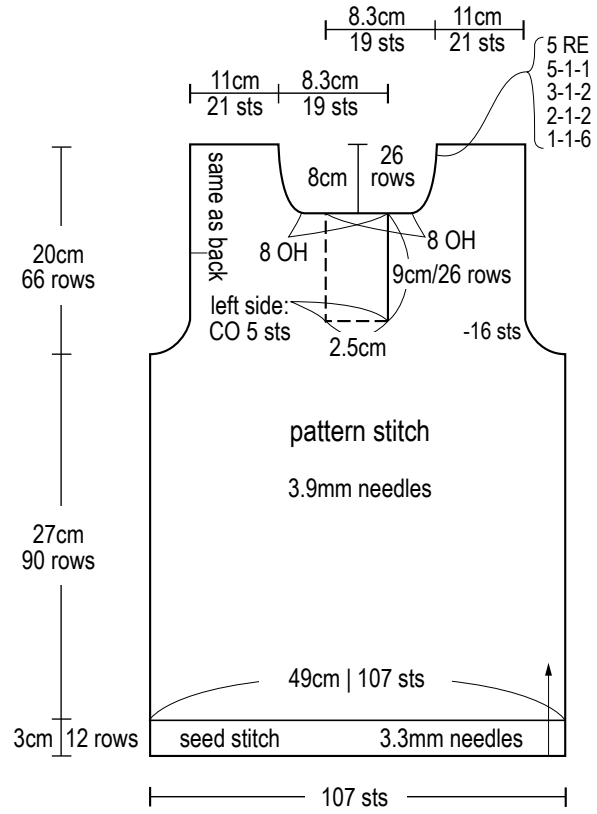
RE = row(s) even

#-#-# = rows-stitches-times

Back

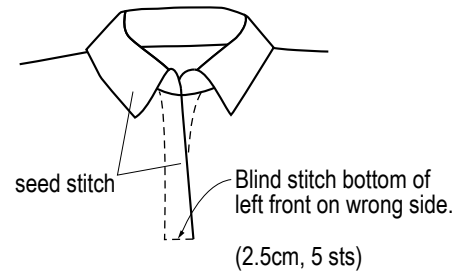
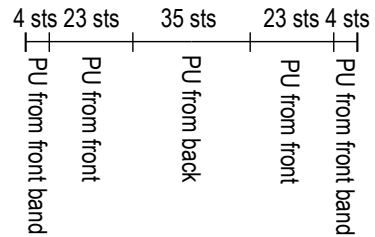
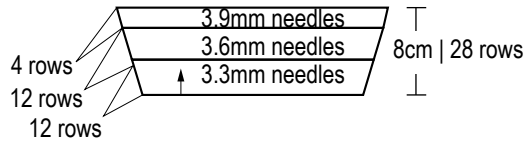


Front

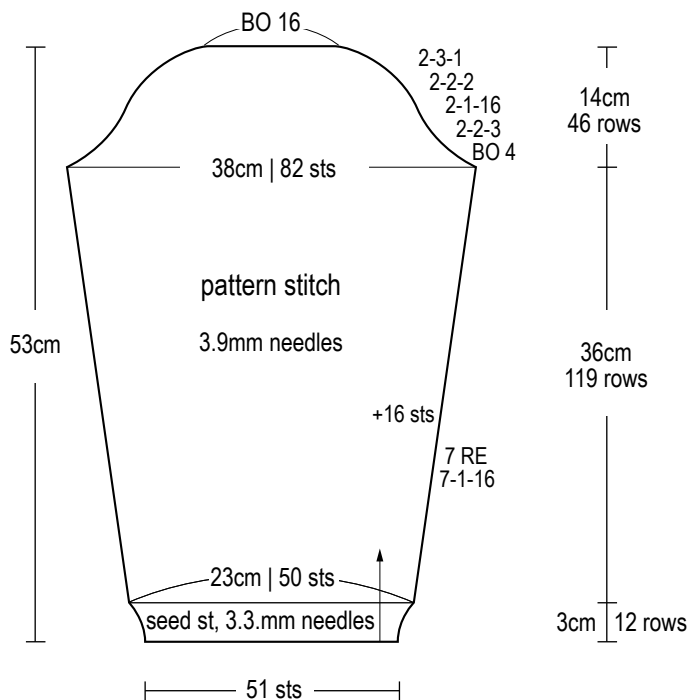


Collar (seed stitch)

adjust gauge by changing needle size



Sleeve



Pattern stitch

□ = ▢ purl stitch

