

# Fresco Lino Pillow



## Suggested yarn:

- Pierrot Yarns Fresco Lino Grande [100% linen; 131 yds/120m per 1.76 oz./50g skein]; color #33 smoke pink, 4 skeins [200g]

## Tools/Notions:

- 2.5mm (approx. US B or C) crochet hook or size necessary to achieve gauge
- 4 buttons (18mm/0.71")
- 1 pillow form (43cm/16.93" square)

## Finished measurements:

- 44cm/17.32" square

## Gauge:

- each motif should be 10cm/4" square

*Gauge may vary according to individual crochet style. Change hook size if necessary to achieve gauge. Alternatively, rework pattern with your own gauge measurements.*

## Crochet Tips

**Motifs:** Chain 6 and join into round. Crochet motifs. Starting from second motif, join motifs together on last round. Make and join 16 motifs, then work 4 rounds of edging. Make two: one for front of pillow and one for back.

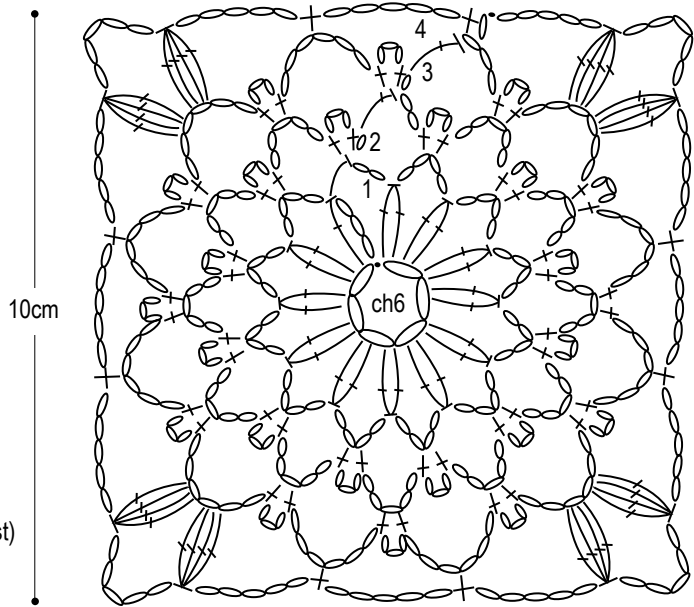
**Finishing:** Place front and back pieces together with wrong sides facing; seam together by working single crochet (US) through both layers. Referring to schematic, crochet button loops at front opening. Join yarn again and work single crochet along back opening. Attach buttons.

## Abbreviations:

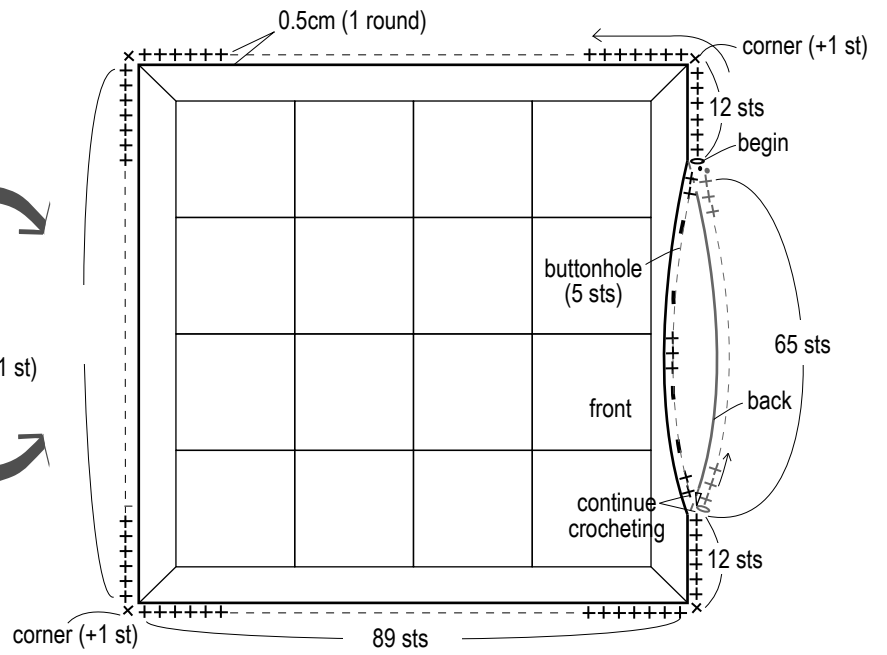
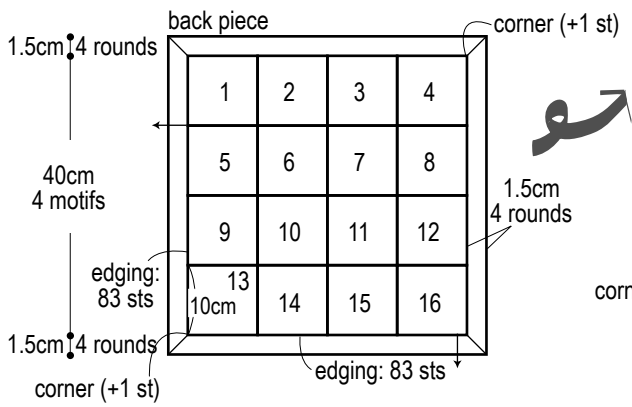
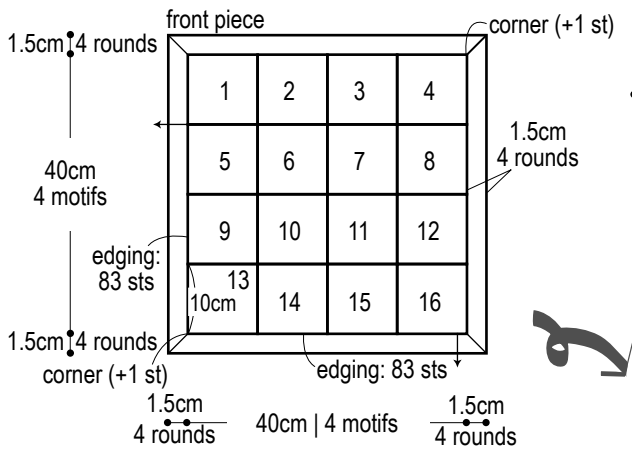
ch = chain

sc = single crochet (US)

### Motif instructions (2.5mm hook)

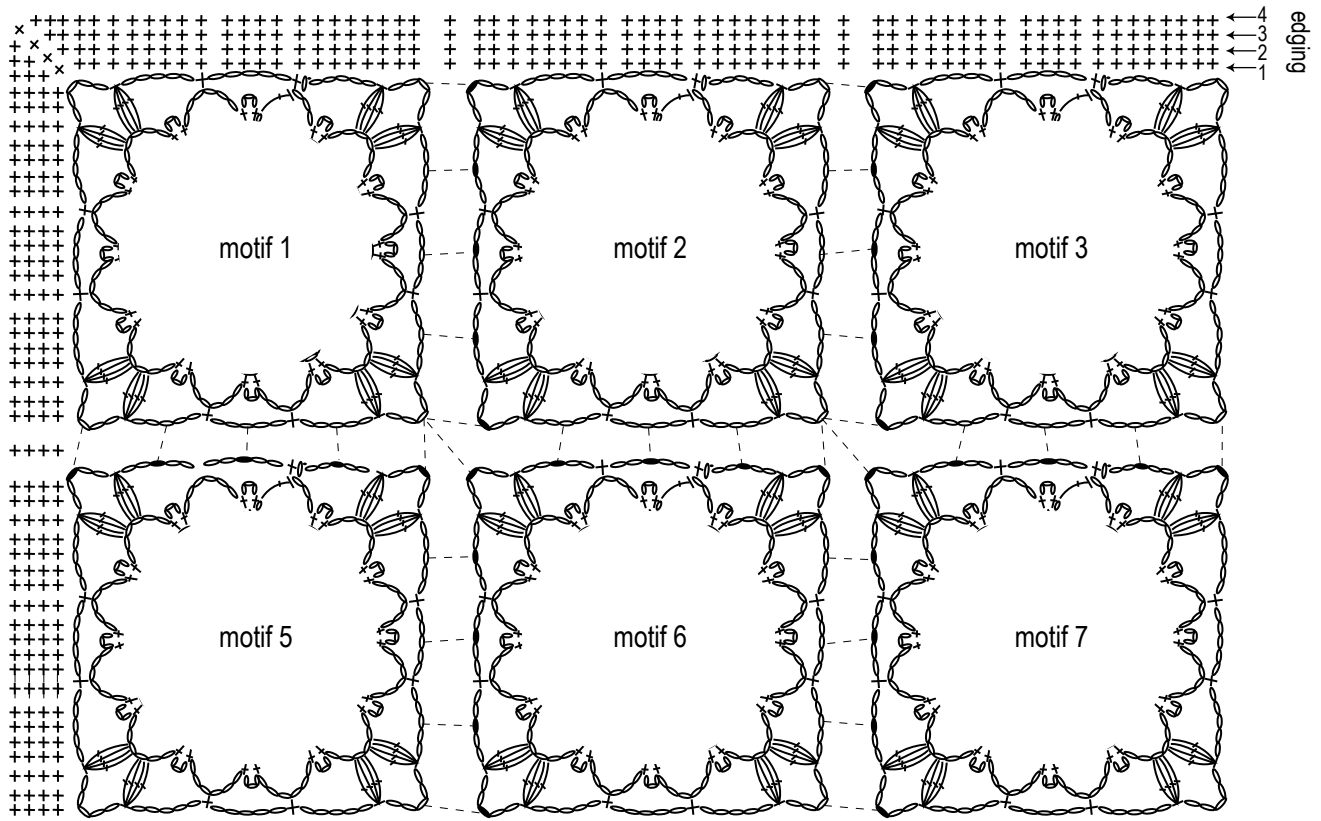


### Edging (2.5mm hook)



※ Place front and back pieces with wrong sides facing. Seam together with 1 round of single crochet (US), working sc along side opening as well.

### Motif joining instructions & edging (2.5mm hook)



※ Make and join motifs in order from 1 to 16.

### Pillow opening & buttonholes (2.5mm hook)

- = sc through both front and back pieces (in order to seam them together)
- = sc through one layer only

