

# 21-10 Sleeveless Sweater



## Suggested yarn:

- Pierrot Yarns Silky Curl [85% acrylic, 15% nylon; 328 yds/300m per 1.41 oz./40g skein]; color #1 white, 4 skeins [160g]

## Tools/Notions:

- 2.4mm (approx. US 1½) and 2.7 (approx. US 2) knitting needles or sizes necessary to achieve gauge
- 2.0mm (approx. US B) crochet hook or size necessary to achieve gauge
- 2 buttons (13mm/0.51")

## Finished measurements:

- bust 88cm/34.65"
- cross back width 34cm/13.39"
- length 48cm/18.90"

## Gauge (10cm/4" square):

- pattern stitch: 29 sts and 41 rows

Gauge may vary according to individual knitting style. Change needle size if necessary to achieve gauge. Alternatively, rework pattern with your own gauge measurements.

## Knitting Tips

**Body:** Cast on with crochet provisional cast-on method and work in stockinette stitch. Pick up live stitches from hem and bind off in pattern. Work 1 round of single crochet (US) edging. Create slit at center back of neckline.

**Collar:** Seam shoulders with slip stitch seam. Pick up stitches from around neckline and work 44 rows. Bind off in pattern and blind stitch to the round where stitches were picked up. (This makes the collar double in thickness.) Finish back neck slit with crochet hook.

**Finishing:** Seam sides with mattress stitch. Crochet 2 rounds of edging around armscyes.

## Abbreviations:

BO = bind off

OH = on hold (that is, place on stitch holder)

PU = pick up

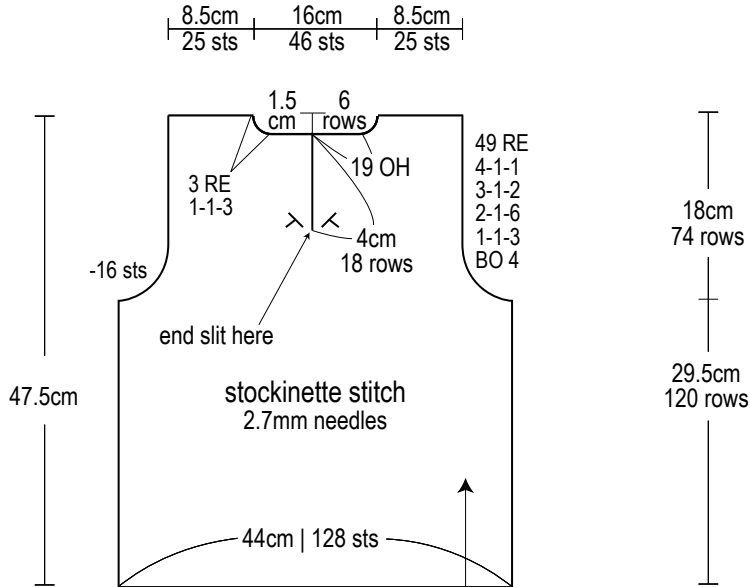
RE = row(s) even

RS = right side

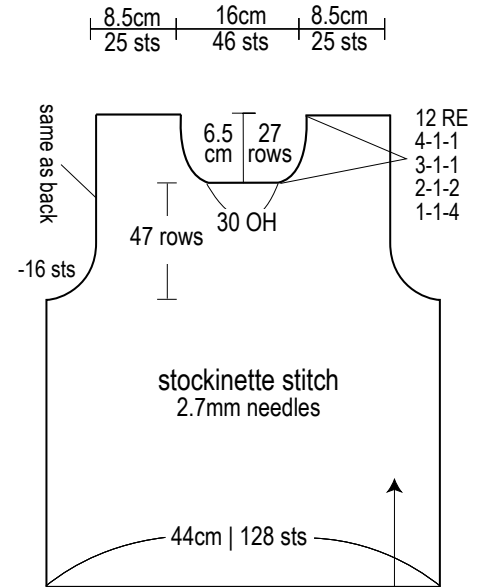
WS = wrong side

# # # = rows-stitches-times

### Back

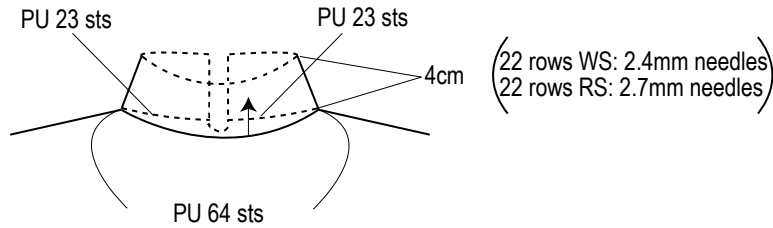


### Front

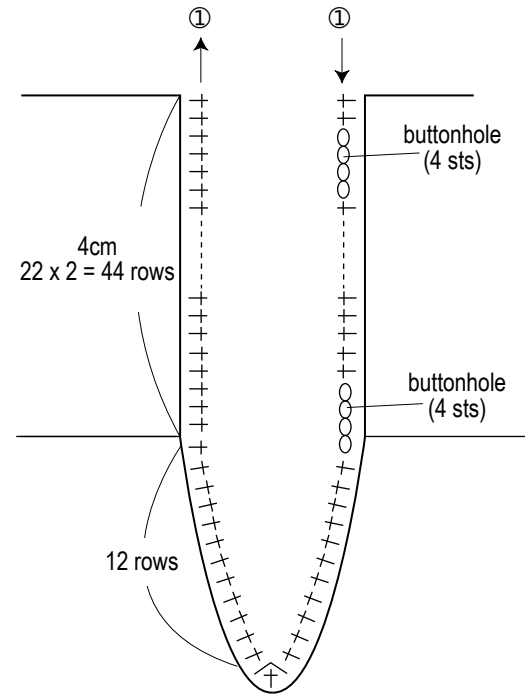


### Collar (k2p2 ribbing)

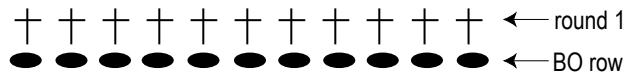
3.0mm & 3.3mm circular needles



### Back of collar/neck slit (2.0mm hook)



### Hem edging (2.0mm hook)



### Armscye edging (2.0mm hook)

