

# 97-98-15 Cable Leaf Pullover

© Pierrot Yarns (Gosyo Co., Ltd.). Translation by Linda Lanz.



## Materials

- Pierrot Yarns Nouvelle Silk [30% silk, 70% wool; 98 yds/90m per 1.41 oz./40g skein]; color #5910; 15 skeins [570g] – *discontinued; please choose appropriate substitute*
- 3.6mm (approx. US 4 or 5) and 4.2mm (approx. US 6) knitting needles or sizes necessary to achieve gauge

## Gauge

- stockinette stitch: 23 sts and 31 rows = 10cm/4" square

## Finished measurements

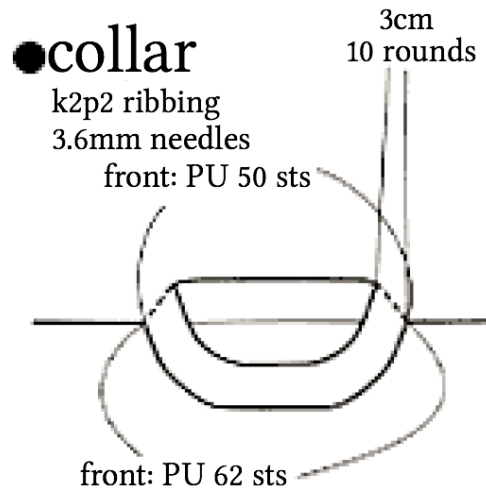
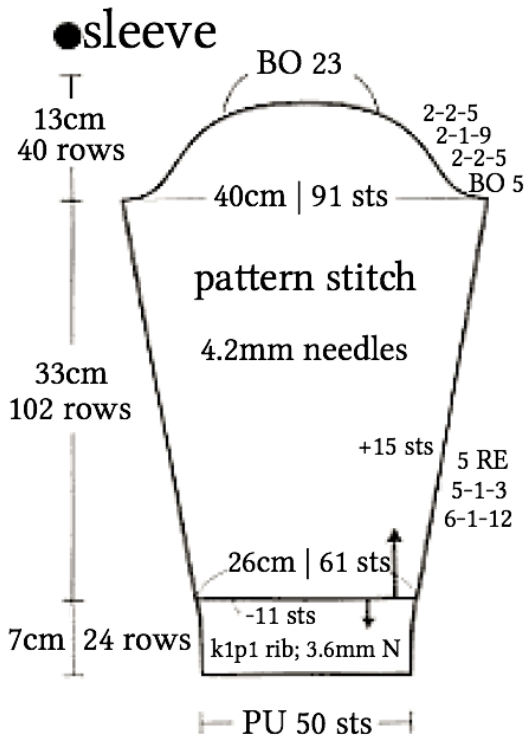
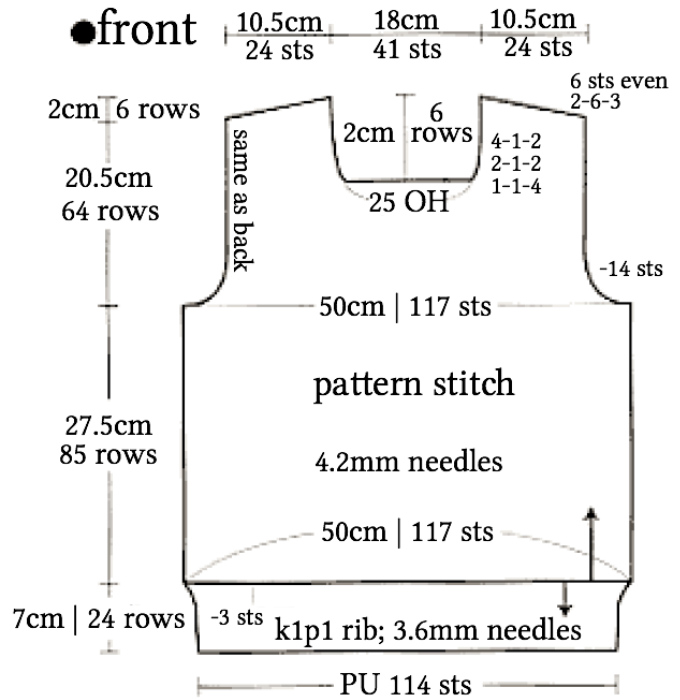
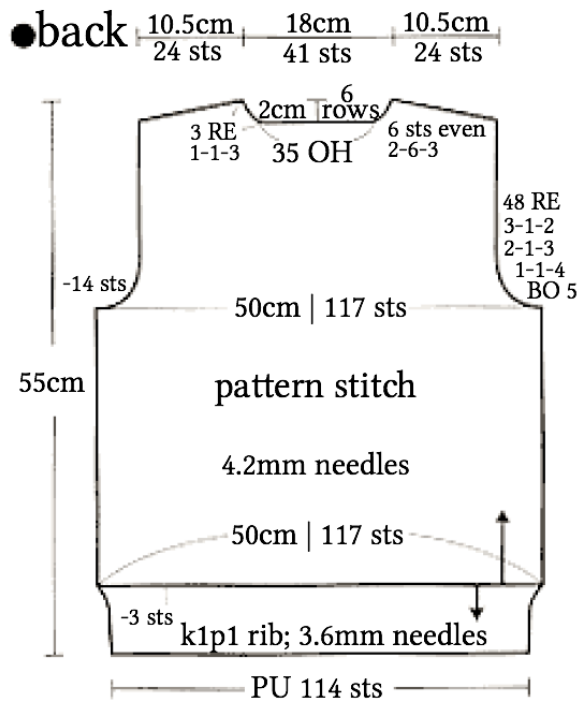
- bust 100cm/39.37"
- length 55cm/21.65"
- cross back width 39cm/15.35"
- sleeve length 53cm/20.87"

## Knitting Tips

**Body and sleeves:** Cast on with crochet provisional cast-on method and knit in pattern stitch. Pick up live stitches from hem and cuffs and work in k2p1 ribbing. Bind off in pattern.

**Finishing:** Pick up required number of stitches from around neckline and work in k2p2 ribbing. Join shoulders with slip stitch seam. Join sides and sleeve undersides with mattress stitch, then join sleeves to body with slip stitch seam.

**Abbreviations:** BO = bind off; N = needles; OH = on hold (i.e., place stitches on stitch holder); PU = pick up; RE = row(s) even



# pattern stitch

