

# 23-24-17 Cabled Tweed Sweater

© Pierrot Yarns (Gosyo Co., Ltd.). Translation by Linda Lanz.



## **Materials**

- Pierrot Yarns Nep Tweed [60% wool, 30% acrylic, 10% polyester; 394 yds/360m per 7.05 oz./200g hank]; color #1013; 3 hanks [560g] – *discontinued; please choose appropriate substitute*
- straight knitting needles: 3.9mm (approx. US 6) and 4.5mm (US 7) or sizes necessary to achieve gauge
- circular knitting needle: 3.9mm (approx. US 6) or size necessary to achieve gauge
- cable needle

## **Gauge**

- pattern stitch: 21 sts and 28 rows = 10cm/4" square

## **Finished measurements**

- bust 92cm/36.22"
- length 55cm/21.65"
- cross back width 36cm/14.17"
- sleeve length 53cm/20.87"

## **Knitting Tips**

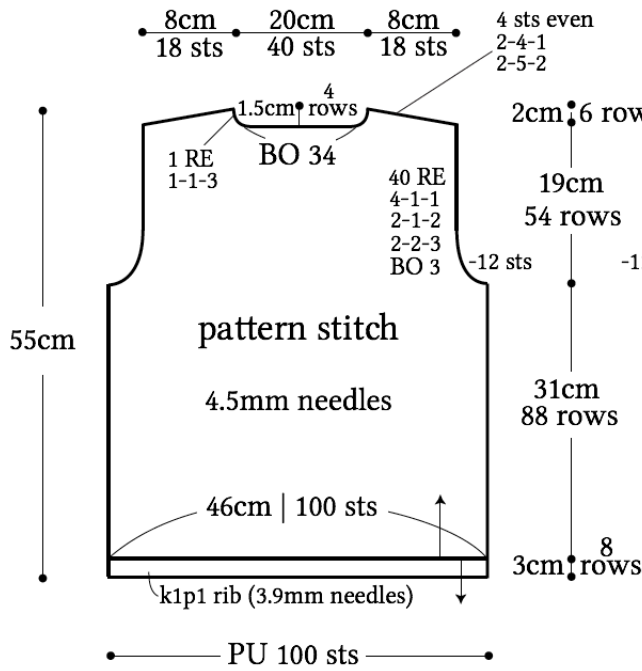
**Body and sleeves:** Cast on with crochet provisional cast-on method; knit in pattern stitch according to chart. (Shape waist by changing needle size to adjust gauge.) When decreasing 1 stitch at a time, work ssk or k2tog decrease at edge. When decreasing 2 or more stitches, bind off stitches. When increasing, use lifted increase. At cuffs and hem, pick up live stitches from cast-on edge and work welt in garter stitch. When finished, bind off in pattern from wrong side.

**Collar:** Join shoulders with three-needle bind-off. Pick up required number of stitches around neckline and knit collar in garter stitch. When finished, bind off in pattern from wrong side.

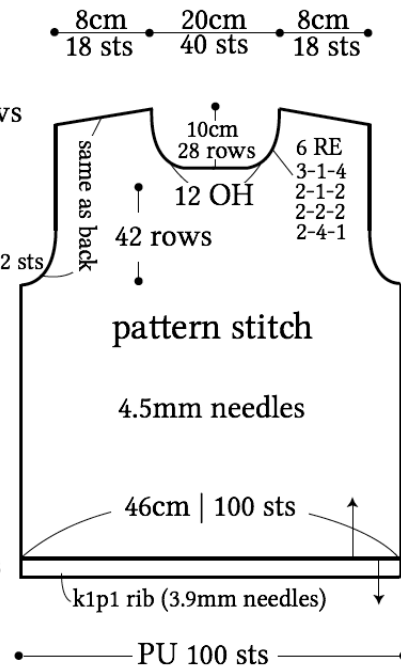
**Finishing:** Join sides and sleeve undersides with mattress stitch, then join sleeves to body with slip stitch seam.

**Abbreviations:** BO = bind off; OH = on hold (i.e., place stitches on stitch holder); PU = pick up; RE = row(s) even

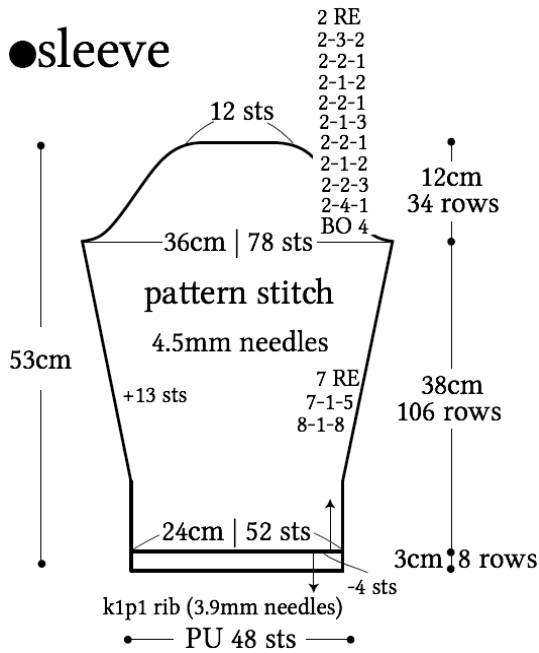
## ●back



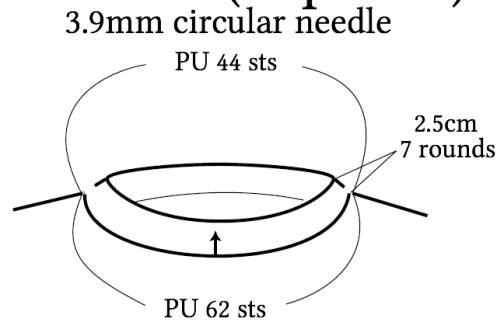
## ●front



## ●sleeve

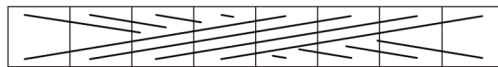
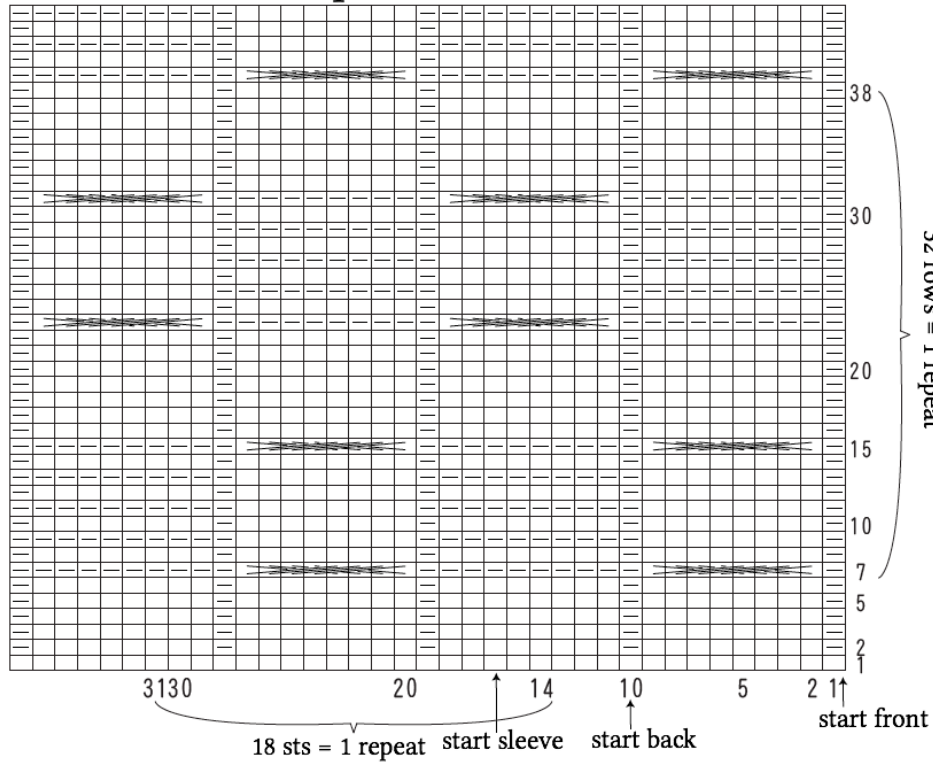


## ●collar (k1p1 rib)



● pattern stitch

□ = □ purl stitch



||  
C8B

C8B (Cable 8 back): Slip 4 stitches from left needle onto cable needle and hold at back of work. Knit next 4 stitches from left needle, then knit 4 stitches from cable needle.