

# 22-23-18 V-neck Sweater

© Pierrot Yarns (Gosyo Co., Ltd.). Translation by Linda Lanz.



## **Materials**

- Pierrot Yarns Pearl Lamé DK [92% wool, 8% polyester; 96 yds/88m per 1.76 oz./50g skein]; color #9140; 11 skeins [550g] – *discontinued; please choose appropriate substitute*
- 3.9mm (approx. US 6) and 4.5mm (US 7) straight knitting needles or sizes necessary to achieve gauge
- 4.5mm (US 7) circular knitting needle or size necessary to achieve gauge

## **Gauge**

- pattern stitch: 22 sts and 28 rows = 10cm/4" square

## **Finished measurements**

- bust 92cm/36.22"
- length 55cm/21.65"
- cross back width 36cm/14.17"
- sleeve length 53cm/20.87"

## **Knitting Tips**

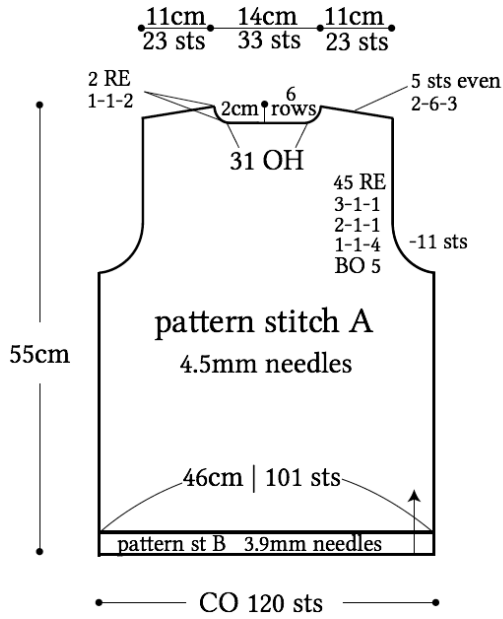
**Body and sleeves:** Cast on with long-tail cast-on method and begin knitting in pattern stitch A, then pattern stitch B. For shaping of armscye, neckline, and sleeve cap: when decreasing 2 or more stitches, bind off in pattern; when decreasing 1 stitch, k2tog or ssk at edge. For shaping sides of sleeves, work fully fashioned lifted increases (i.e., work increase 1 stitch in from the edge).

**Collar:** Join shoulders with three-needle bind-off. Pick up stitches around neckline and work stockinette stitch in the round. Bind off loosely in pattern.

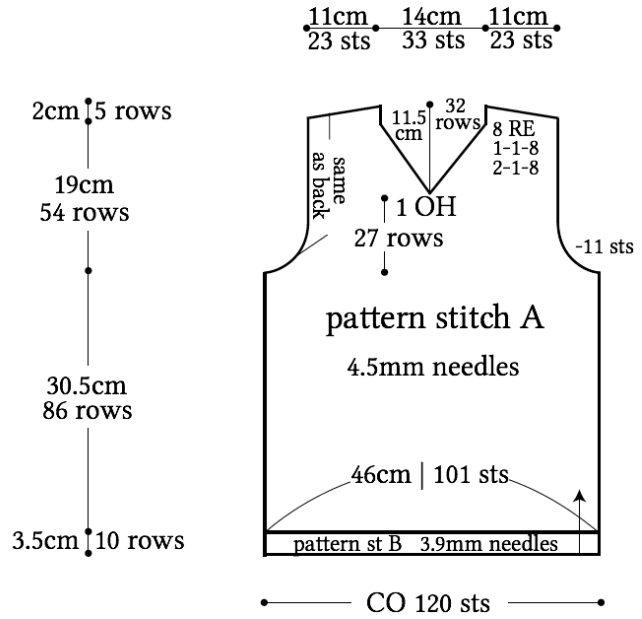
**Finishing:** Seam sides and sleeve undersides with mattress stitch. With right sides facing, join sleeves to body with slip stitch seam.

**Abbreviations:** BO = bind off; CO = cast on; N = needles; OH = on hold (place stitches on stitch holder); PU = pick up; RE = row(s) even

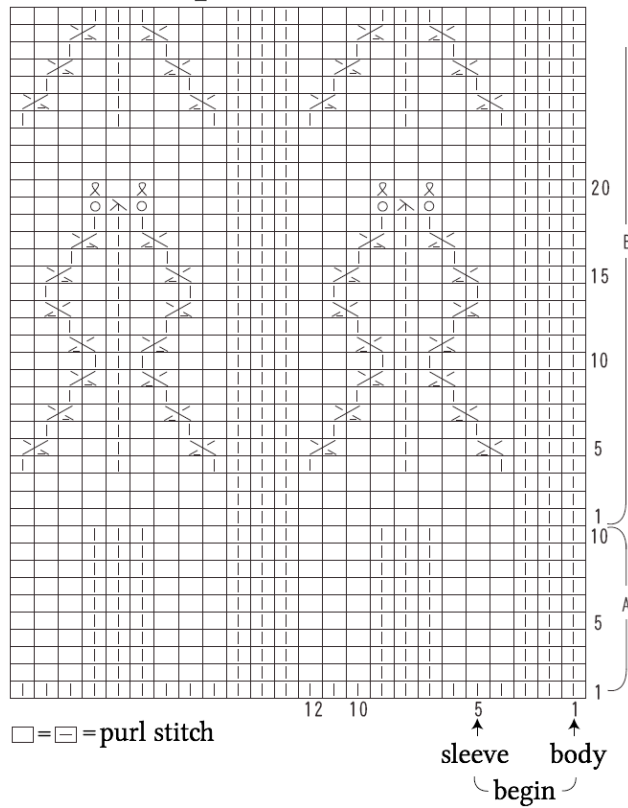
●back



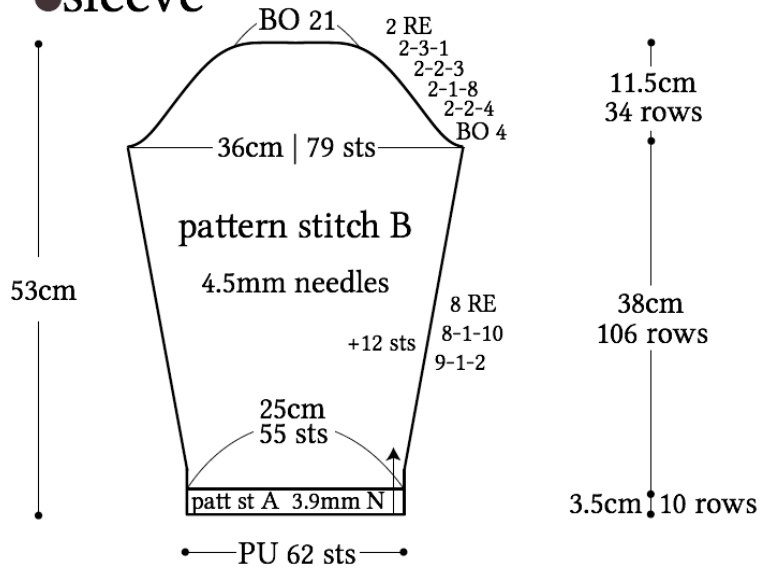
●front



●pattern stitch



## ●sleeve



## ●collar

stockinette stitch; 3.9mm needles

