

99-4 Trendy Sweater

© Pierrot Yarns (Gosyo Co., Ltd.). Translation by Linda Lanz.



Materials

- Pierrot Yarns Silk100 Fingering [100% silk; 344 yds/315m per 1.76 oz./50g cone]; color #6007 marshmallow pink; 4 cones [180g]
- Pierrot Yarns Kirara [89% acetate, 11% polyester; 1892 yds/ 1730m per 1.76 oz./50g cone]; color #4802 light pink silver lamé; 1 cone [35g]
- 3.0mm (US 2½) and 3.3mm (approx. US 3) knitting needles or sizes necessary to achieve gauge
- 2.0mm crochet hook or size necessary to achieve gauge

Gauge

- pattern stitch: 36 sts and 37 rows = 10cm/4" square

Finished measurements

- bust 96cm/37.80"
- length 53cm/20.87"
- cross back width 36cm/14.17"
- sleeve length 26cm/10.24"

Knitting Tips

※**Note:** entire garment worked with 2 strands of yarn held together (1 strand of Silk100 Fingering and 1 strand of Kirara).

Body: Cast on with crochet provisional cast-on method; work in pattern stitch.

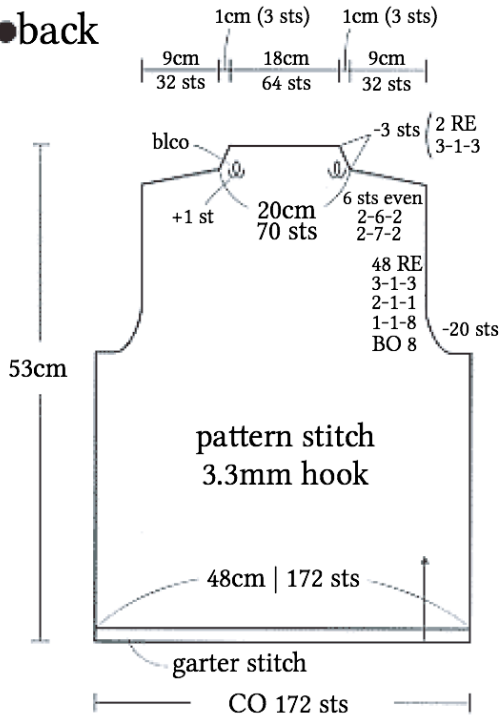
Collar: After body, continue on to neck, working increase using backwards loop cast-on at each marked point. Work final row in k1p1 ribbing.

Sleeves: Begin as for body; work in pattern stitch.

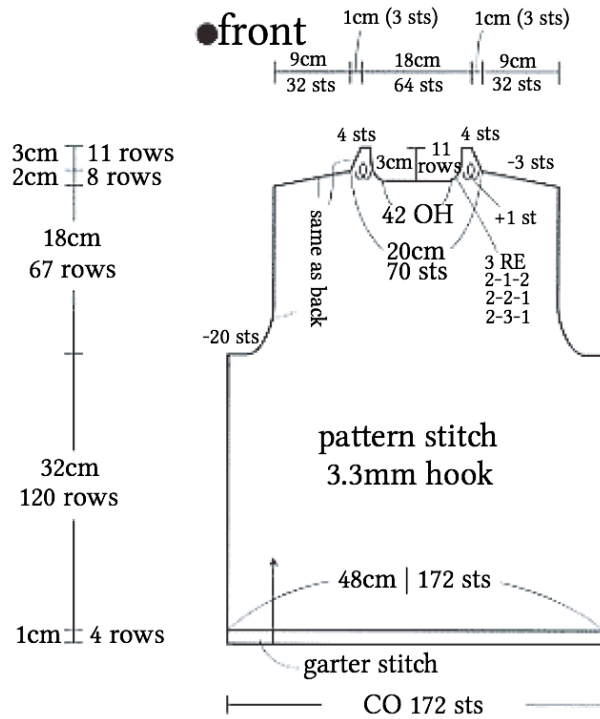
Finishing: Join shoulders with slip stitch seam. Join sides and sleeve undersides with mattress stitch. Join sleeves to body with slip stitch seam. At hem and cuffs, pick up stitches from provisional cast-on edge from the wrong side and bind off in pattern.

Abbreviations: blco (Ⓞ) = backwards loop cast-on; BO = bind off; CO = cast on; OH = on hold (i.e., place on stitch holder); PU = pick up; RE = row(s) even

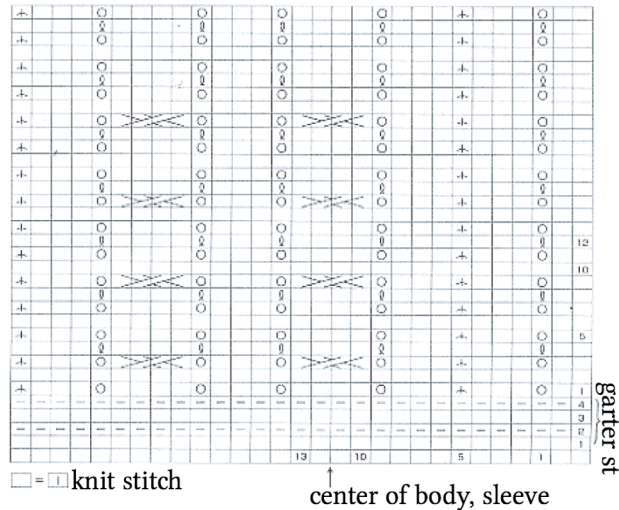
●back



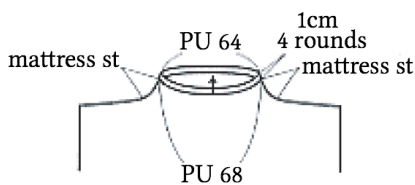
●front



●pattern stitch



●collar edging (garter st)



●sleeve

