

210-211-22 Pullover

© Pierrot Yarns (Gosyo Co., Ltd.). Translation by Linda Lanz.



- Pierrot Yarns Cutie Mohair [28% kid mohair, 28% acrylic, 15% superwash wool, 30% nylon; 310 yds/283m per 0.88 oz./25g skein];
 - color #21 ivory; 3 skeins [70g]
 - color #31 black; 3 skeins [70g]
- 3.9mm (approx. US 6) and 4.5mm (US 7) straight knitting needles or sizes necessary to achieve gauge
- 3.0mm (approx. US 2½) and 3.3mm (approx. US 3) double-pointed or circular knitting needles or sizes necessary to achieve gauge
- tapestry needle

Gauge

- stockinette stitch: 22 sts and 28 rows = 10cm/4" square

Finished measurements

- bust 88cm/34.65"
- length 53cm/20.87"
- cross back width 36cm/14.17"
- sleeve length 53cm/20.87"

Knitting Tips

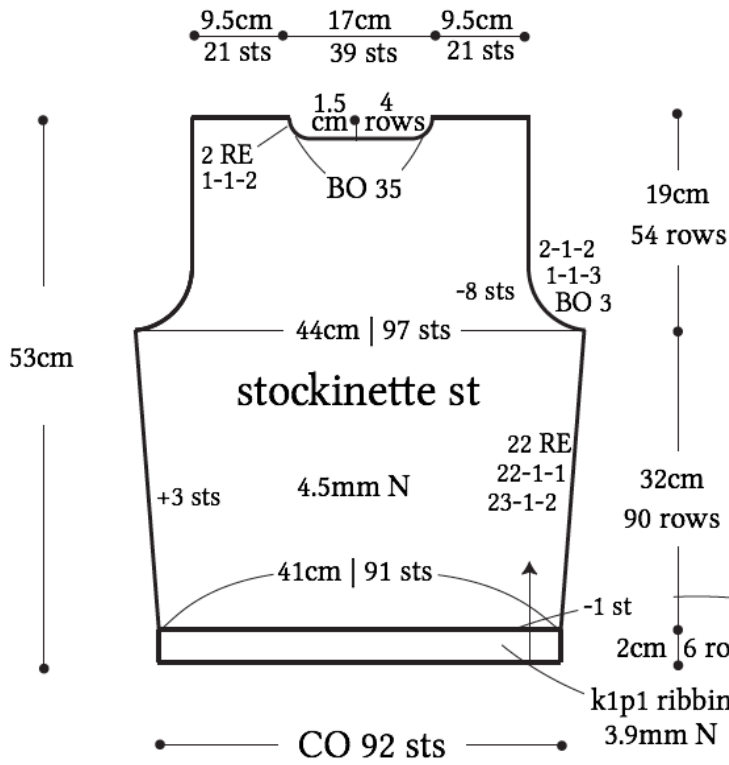
※ Entire garment worked with 2 strands of yarn held together: 1 strand of color #21 ivory and 1 strand of color #31 black.

Front, back, and sleeves: Cast on with long-tail cast-on method and work in k1p1 ribbing, continuing on to stockinette stitch. For front piece, work in pattern stitch where indicated. (Note that 3.9mm needles should be used for pattern stitch panel, whereas 4.5mm needles are used for stockinette portions.)

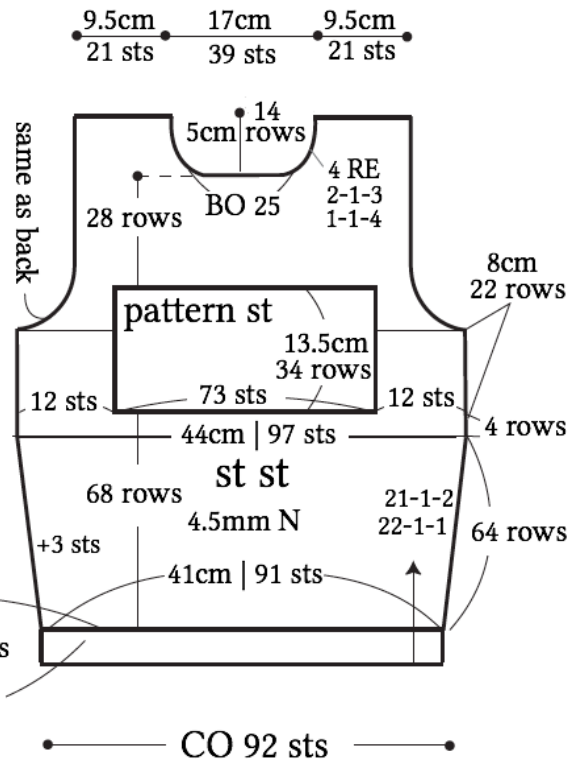
Finishing: Join shoulders with three-needle bind-off. Pick up stitches around neckline and work collar in k1p1 ribbing. Bind off in pattern. Join sides and sleeve undersides with mattress stitch. Join sleeves to body with slip stitch.

Abbreviations: BO = bind off; CO = cast on; k1 = knit 1 stitch; k2tog = knit 2 stitches together; N = needles; PU = pick up; RE = row(s) even; st st = stockinette stitch; YO = yarn over

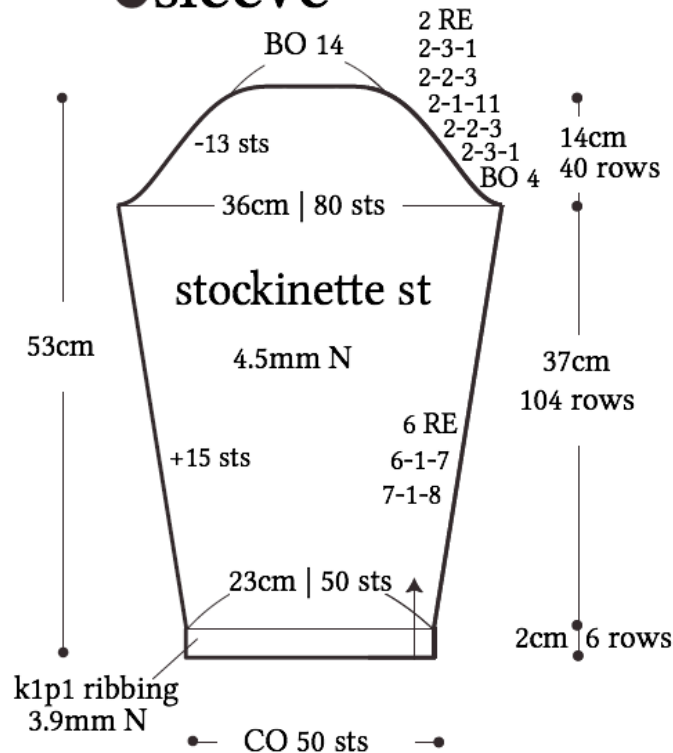
●back

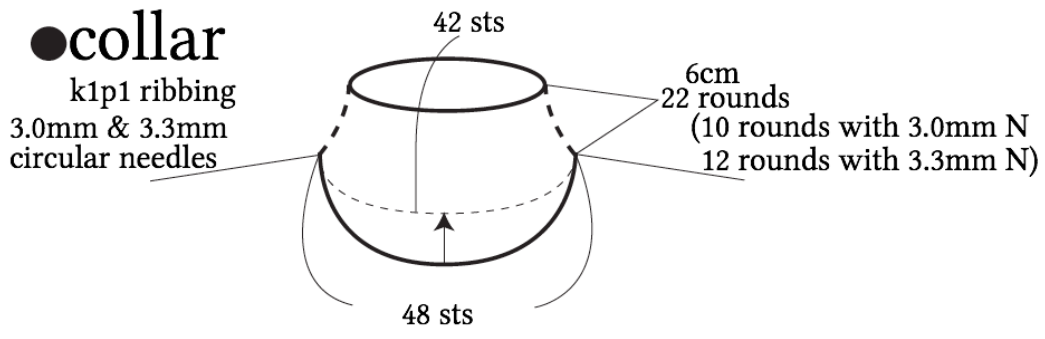


●front



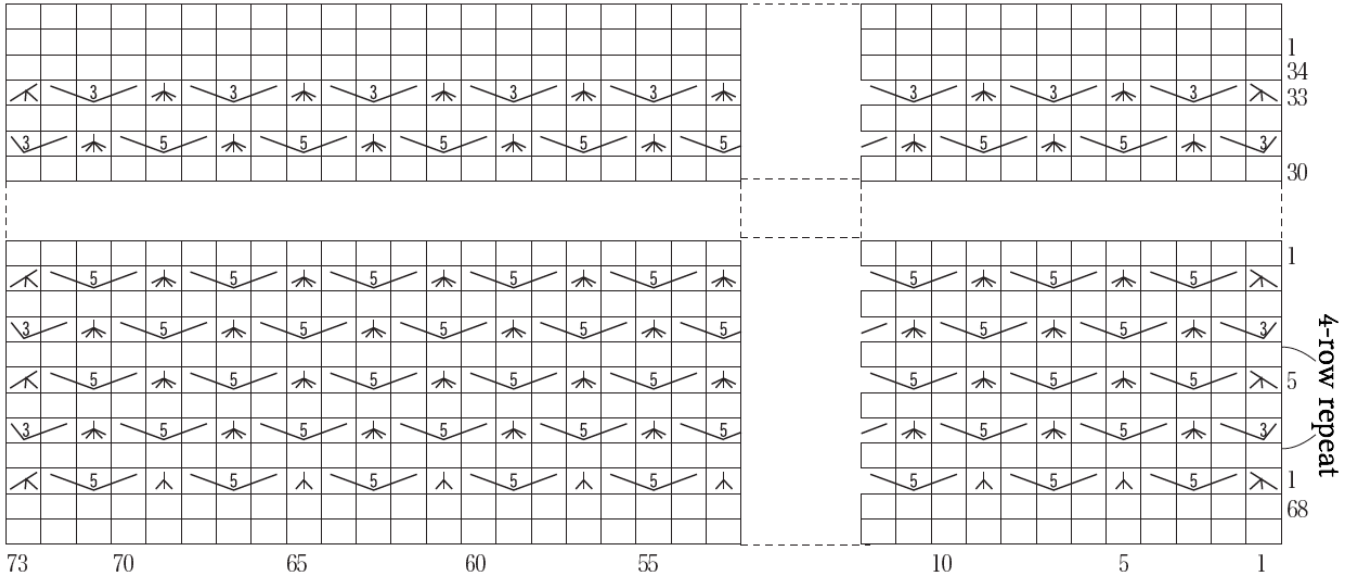
●sleeve





●pattern stitch 3.9mm needles

□ = □ knit st



- = Work (k1, YO, k1) into same stitch.
- = Work (k1, YO, k1, YO, k1) into same stitch.
- = Slip 2 knitwise, k1, pass 2 slipped stitches over stitch just knitted.
- = Slip 3 knitwise, k2tog, pass 3 slipped stitches over stitch just knitted.