

# 97-98-17 Chic Collared Sweater

© Pierrot Yarns (Gosyo Co., Ltd.). Translation by Linda Lanz.



## **Materials**

- Pierrot Yarns Silk100 Fingering [100% silk; 344 yds/315m per 1.76 oz./50g cone]; color #6014; 6 cones [290g]
- standard gauge knitting machine (4.5mm needle pitch) *or*
- 2.7mm (approx. US 2), 3.0mm (US 2½) and 3.3mm (approx. US 3) knitting needles or sizes necessary to achieve gauge
- 2.3mm (approx. US B) crochet hook or size necessary to achieve gauge
- 7 buttons (15mm (5/8") diameter)

## **Gauge**

- stockinette stitch: 34 sts and 41 rows = 10cm/4" square
- pattern stitch: 28 sts = 7cm/2.76" and 41 rows = 10cm/4"

## **Finished measurements**

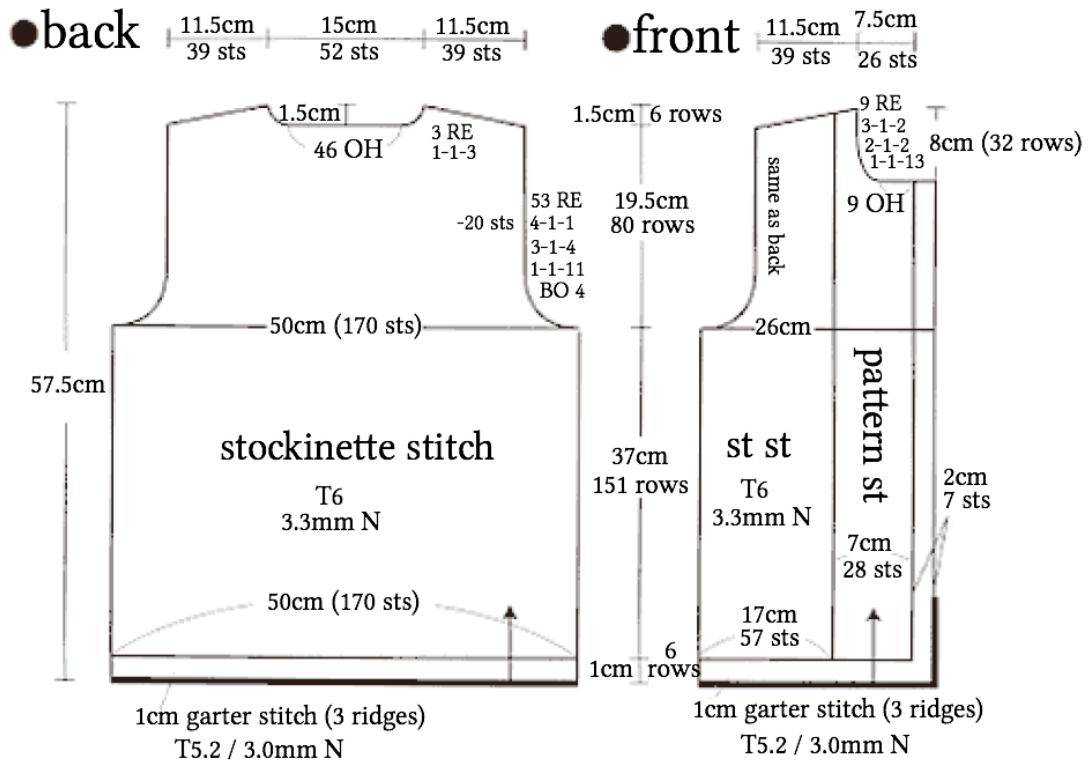
- bust 102cm/40.16"
- cross back width 36cm/14.17"
- length 57cm/22.44"
- length 53cm/20.87"

## **Knitting Tips**

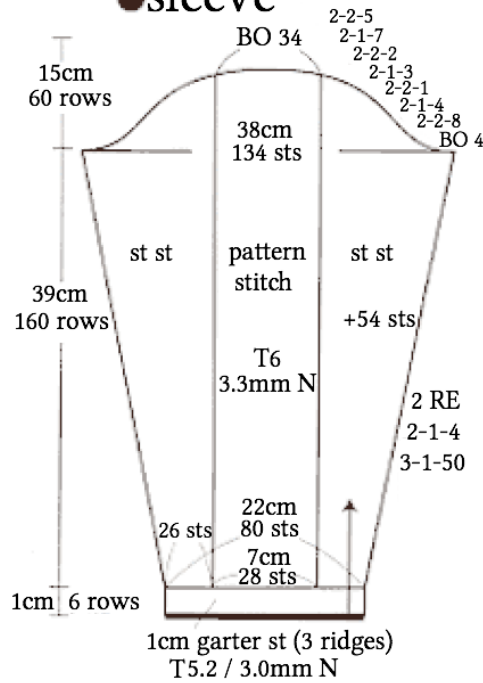
**Body and sleeves:** Cast on using waste yarn, knit one row with ravel cord, and begin knitting with main yarn (hand knitters: use provisional cast-on). Insert pattern stitch panel at center front and at center of sleeves.

**Collar:** Knit neckline in k1p1 ribbing, then seam collar (knit separately) to neckline. Adjust gauge of collar in 3 stages as follows: for machine knitters, change from T6 to T5.2 to T4; for hand knitters, change from 3.3mm needles to 3.0mm needles to 2.7mm needles.

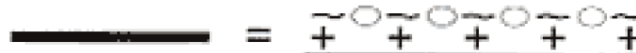
**Abbreviations:** BO = bind off; N = needles; OH = on hold; RE = row(s) even; st st = stockinette stitch; T = tension/tension dial



●sleeve

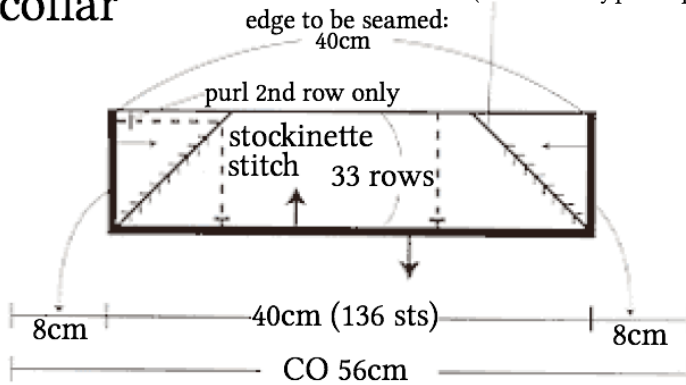


edging (2.3mm hook): hem, cuffs, front placket, collar

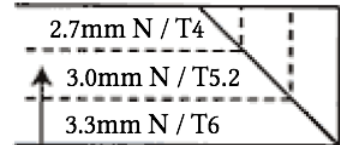


●collar

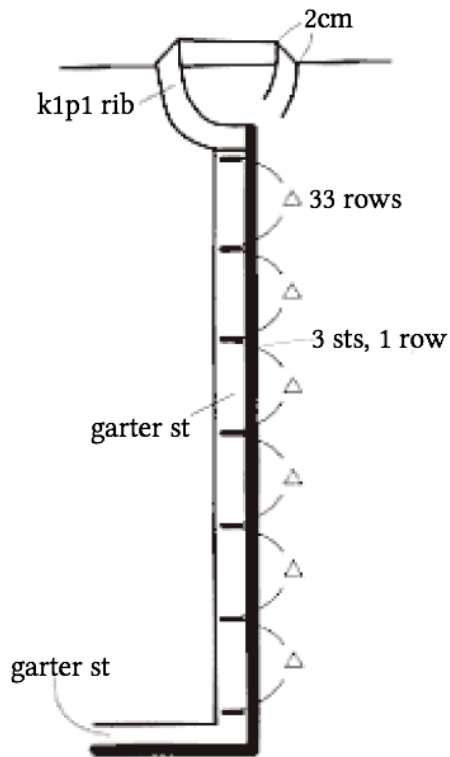
Every 1<sup>st</sup> row, decrease 22 times; every 2<sup>nd</sup> row, decrease 4 times.  
 (Decrease type: slip 2 knitwise, k1, pass 2 slipped sts over.)



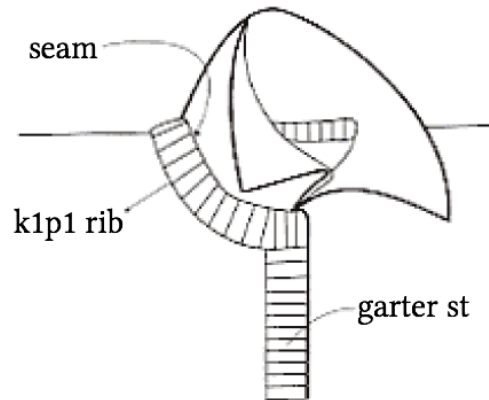
gauge adjustment



●neckline, placket



●how to attach collar



# pattern stitch

□ = □ knit

