

210-211-31 Tunic

© Pierrot Yarns (Gosyo Co., Ltd.). Translation by Linda Lanz.



Materials

- Pierrot Yarns Soft Merino Fingering [100% merino wool; 183 yds/ 167m per 1.41 oz./40g skein]; color #10 smoke wasabi; 7 skeins [250g]
- 2.5mm (US B or C) crochet hook or size necessary to achieve gauge

Gauge

Gauge measured in a swatch 10cm/4" square.

- pattern stitch: 25 sts and 11 rows
- pattern stitch B: 25 sts and 13 rows (1 pattern repeat = approx. 4.5cm/1.77" wide and 9.5cm/3.74" long)
- pattern stitch C: 24 sts and 12.5 rows (1 pattern repeat = approx. 5.5cm/2.17" wide and 12cm/4.72" long)
- pattern stitch D: 36 sts and 13 rows

Finished measurements

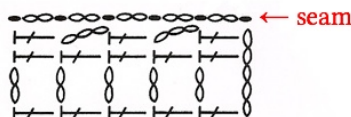
- bust 90cm/35.43"
- length 64.5cm/25.39"
- cross back width 35cm/13.78"

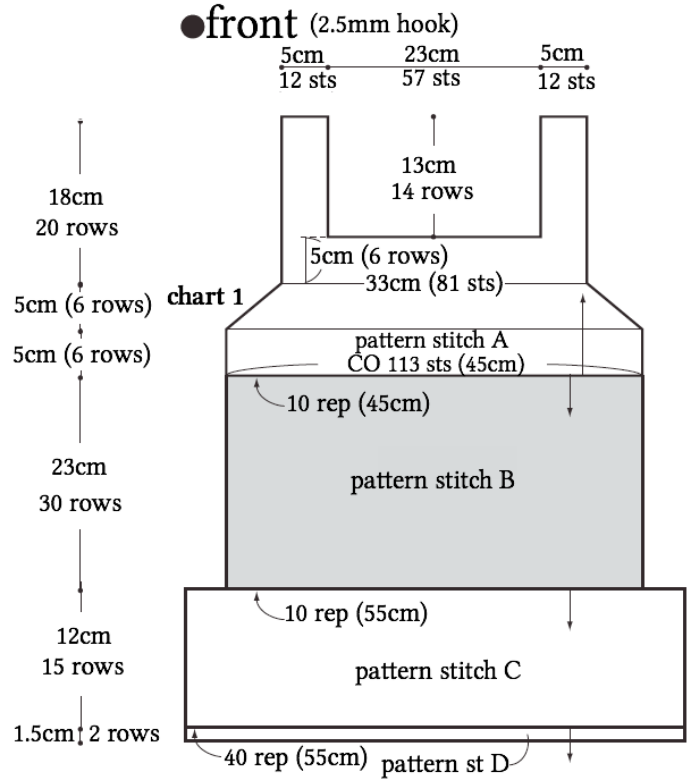
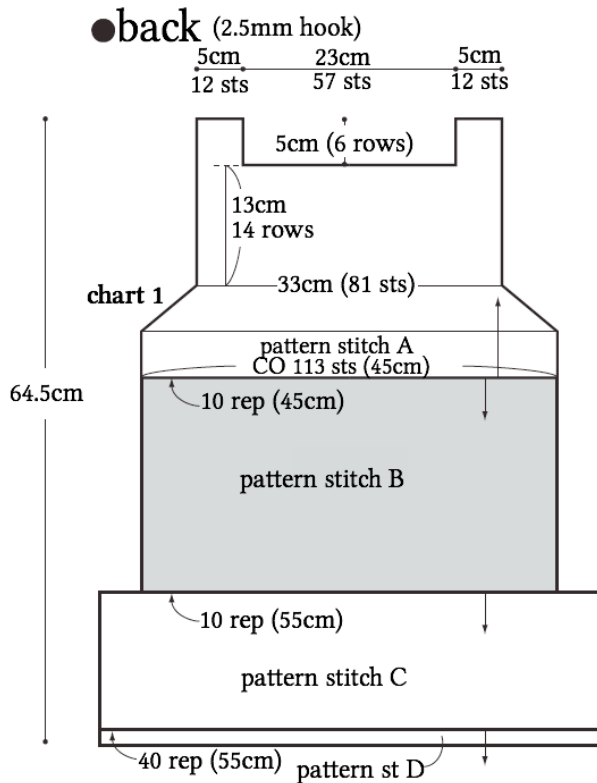
Crochet Tips

For front and back, chain to cast on and crochet from cast-on edge to shoulders in pattern stitch A. From waist down, begin by working pattern stitch B into cast-on chain. Crochet in pattern stitch B, continuing on to pattern stitches C and D. Join shoulders with slip stitch seam. Join sides with slip/chain seam (see below). Work edging around collar and armholes.

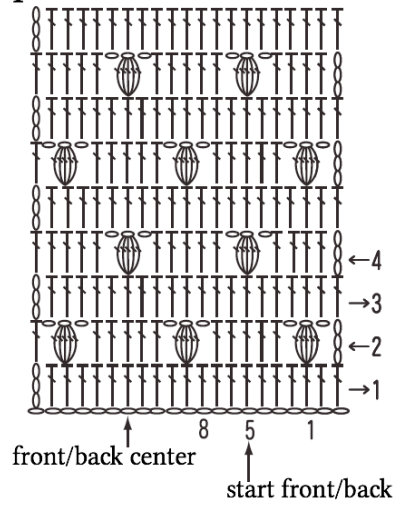
Abbreviations: rep = repeat(s)

slip/chain seam: essentially a slip stitch seam with chain stitches interspersed between slip stitches. Sl st through one stitch in each layer. *ch2, sl st in top of next row*, continue from * to * until end.

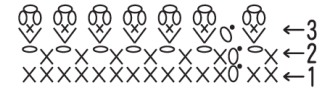




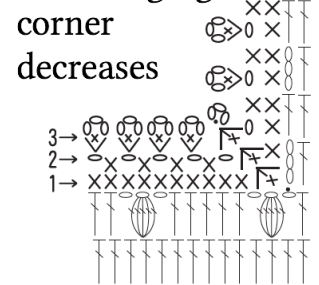
pattern stitch A (8-st, 4-row repeat)



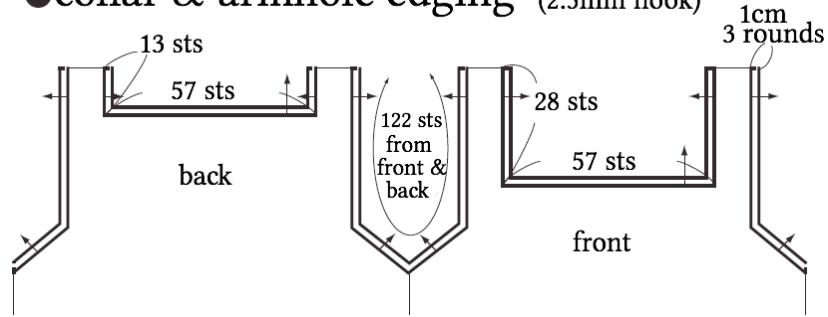
edging



collar edging:



● collar & armhole edging (2.5mm hook)



how to begin pattern stitch B

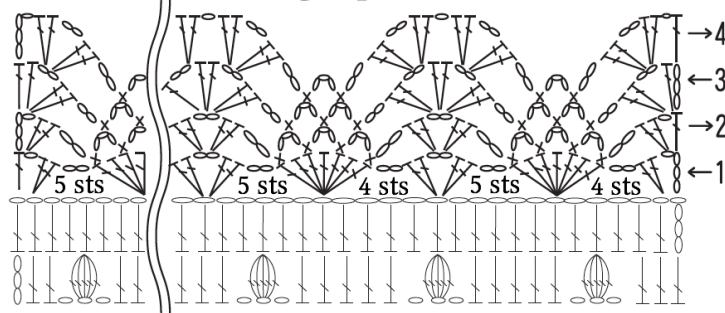


chart 1: front/back armhole shaping

