

# 29-210-15 Striped Pullover

© Pierrot Yarns (Gosyo Co., Ltd.). Translation by Linda Lanz.



## Materials

- Pierrot Yarns Cashmere Merino Fine [90% extra fine merino, 10% cashmere; 66 yds/60m per 0.71 oz./20g skein];
  - color #32 camel; 5 skeins [95g]
  - color #35 coffee brown; 5 skeins [95g]
- Pierrot Yarns Standard [66% rayon, 34% polyester; 481 yds/440m per 1.76 oz./50g cone]; color #5402 silver lamé; 1 cone [42g]
- 3.6mm (approx. US 4 or 5) knitting needles or sizes necessary to achieve gauge – *both straight and double-pointed needles*
- 3.0mm (approx. US C or D) crochet hook or size necessary to achieve gauge
- hairpin (for optional corsage)

## Gauge

Gauge is measured in a swatch 10cm/4" square.

- stockinette stitch: 20.5 sts and 36 rows

## Finished measurements

- bust 90cm/35.43"
- cross back width 35cm/13.78"
- length 51cm/20.08"
- sleeve length 46cm/18.11"

## Knitting Tips

※ When using Standard, use 2 strands of yarn held together. Refer to schematics for color sequences.

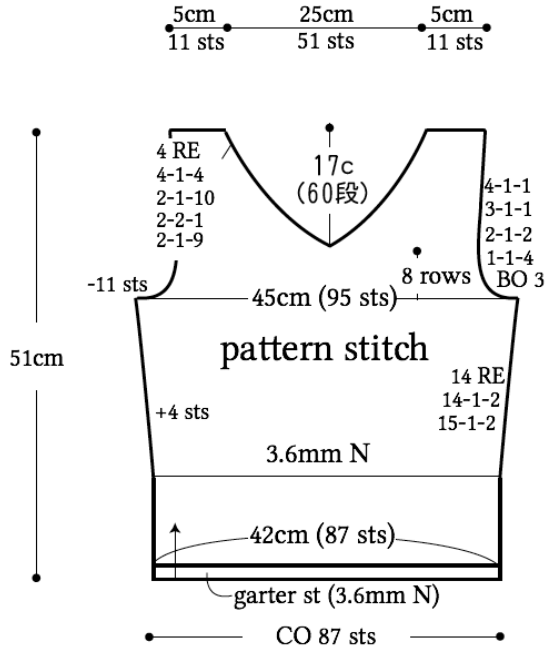
**Body and sleeves:** Cast on with long-tail cast-on method, then knit in garter stitch for 4 rows. Then knit pattern stitch (stripes). At back neck, place 1 stitch at center on hold, then work right and left sides separately.

**Finishing:** Join shoulders with three-needle bind-off. Seam sides and sleeve undersides with mattress stitch. Work garter stitch in the round around neckline. Join sleeves to body with slip stitch.

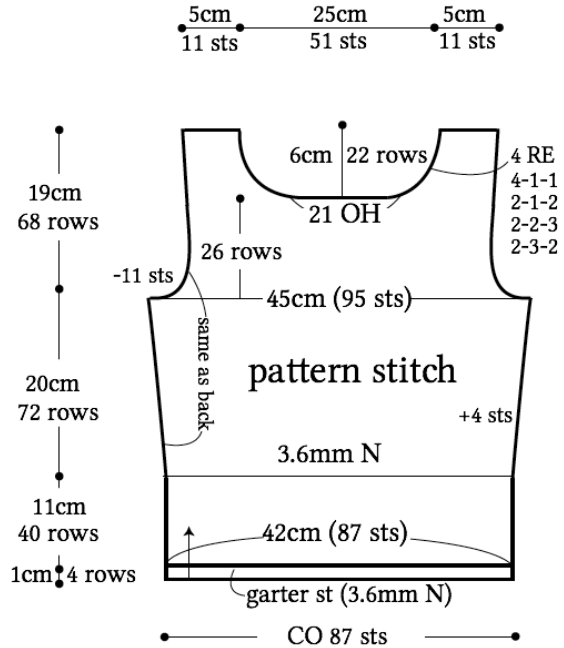
**Corsage:** Create magic ring, ch2, and crochet according to chart. Attach to hairpin.

**Abbreviations:** CO = cast on; OH = on hold; N = needles; PU = pick up; RE = row(s) even

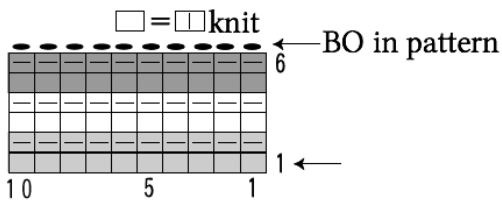
## ●back



## ●front



## ●collar garter stitch stripes 3.6mm needles

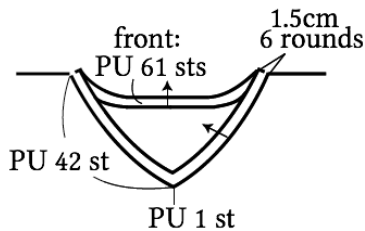


- 35 coffee brown
- 32 camel
- 5402 silver lamé

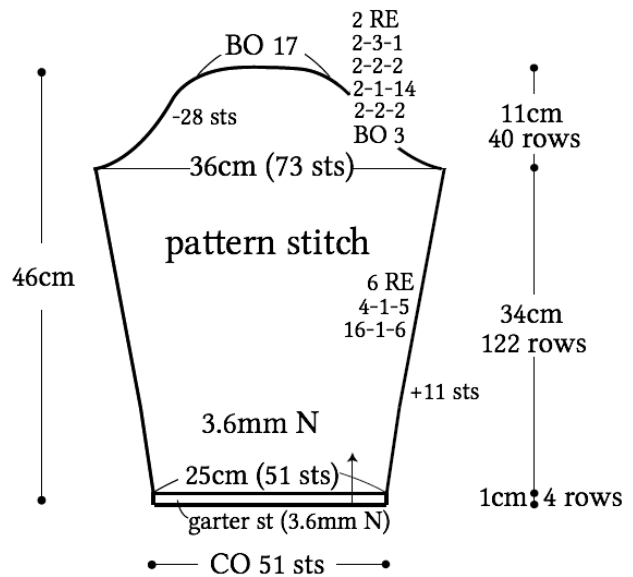
※Use 2 strands of 5402 silver lamé.

## ●collar

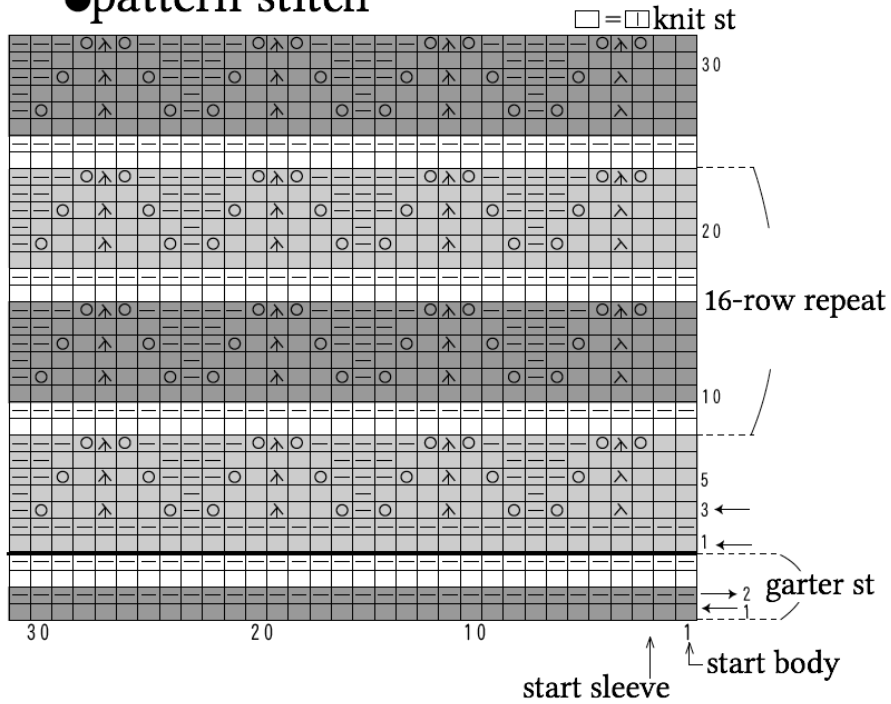
garter st stripes, 3.6mm needles



## ●sleeve

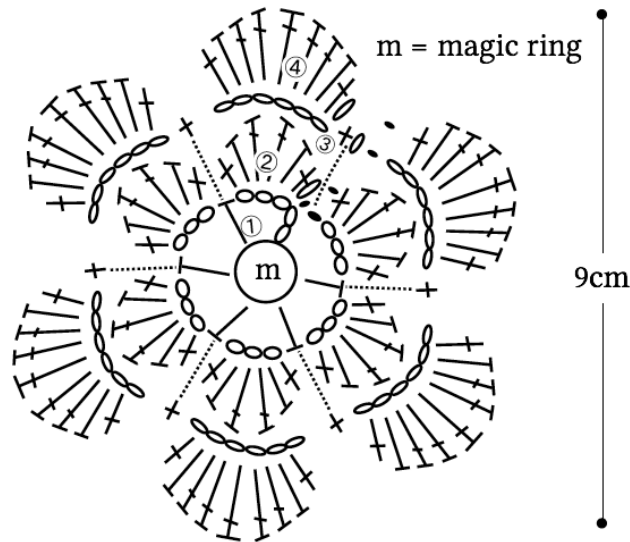


## ● pattern stitch



## ● corsage

3.0mm hook



※ On round 3, work single crochet through front of round 2 and into hdc on round 1.