

23-24-1 Aran Sweater

© Pierrot Yarns (Gosyo Co., Ltd.). Translation by Linda Lanz.



Materials

- Pierrot Yarns Silk Cashmere [50% lamb's wool, 35% silk, 15% cashmere; 120 yds / 110m per 1.76 oz. / 50g skein]; color #1820 black; 11 skeins [550g] – *discontinued*
- 3.9mm (US 6) and 4.2mm (US 7) straight knitting needles or sizes necessary to achieve gauge
- 3.9mm (US 6) double-pointed knitting needles or size necessary to achieve gauge
- cable needle

Gauge

- pattern stitch: 23 sts and 29 rows = 10cm/4" square

Finished measurements

- bust 94cm/37"
- back width 37cm/14.6"
- length 58cm/22.8"
- sleeve length 53cm/20.9"

Knitting Tips

Body: With smaller needles, cast on using tubular 1x1 rib cast-on method. Work 4 rows of ribbing and then continue with body in pattern stitch. For armholes and collars, bind off stitches and work edge decreases.

Sleeves: Cast on as for body. Work each sleeve in pattern stitch, working twisted increases at edges as indicated in chart. Knit increases for edges of sleeve undersides according to sleeve increase chart.

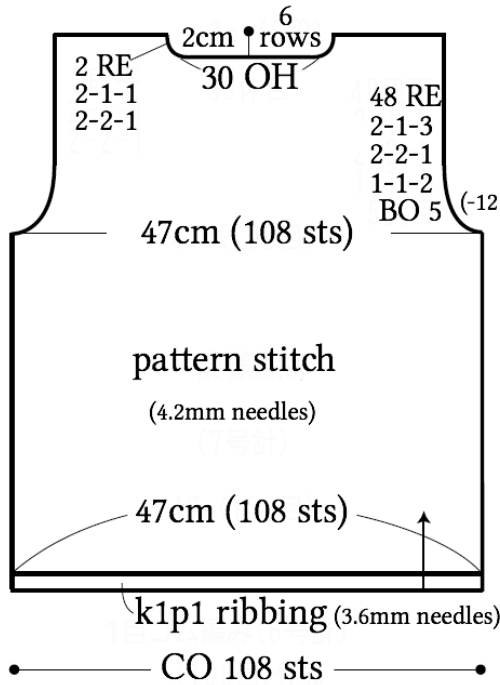
Collar: Join shoulders with three-needle bind-off. Pick up required number of stitches around neckline and work 1x1 ribbing. Bind off in pattern.

Finishing: Seam sides and sleeve edges with mattress stitch. Join sleeves to body with slip stitch.

ABBREVIATIONS: BO = bind off; PU = pick up; OH = on hold; RE = row(s) even

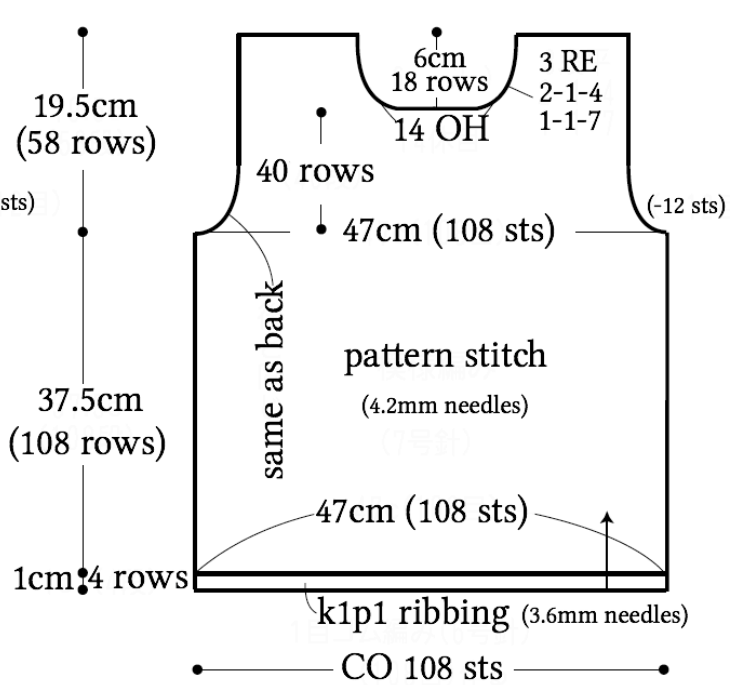
● back

10.5cm 16cm 10.5cm
24 sts 36 sts 24 sts

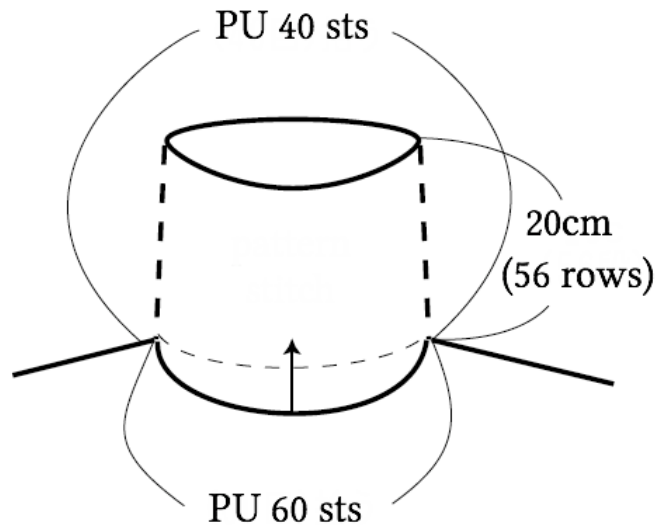


● front

10.5cm 16cm 10.5cm
24 sts 36 sts 24 sts

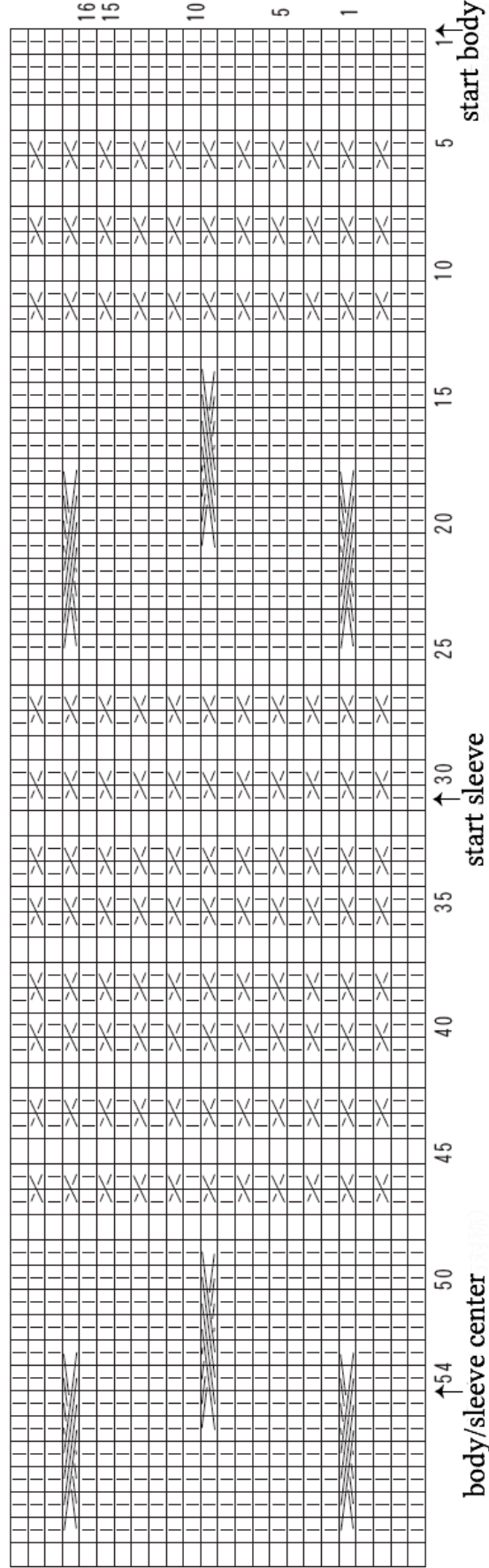


● collar (3.9mm circular needles)

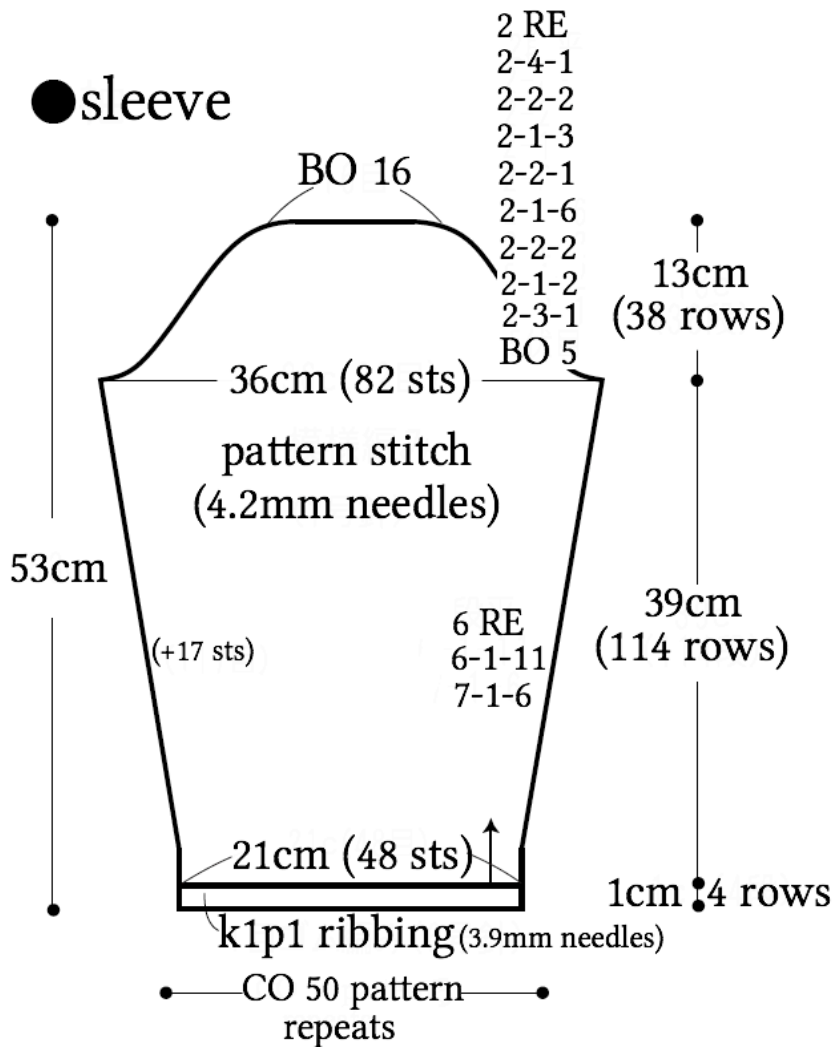


● pattern stitch


□ = □ purl



● sleeve



● sleeve increases

□ =  purl

