

219W-10 Koti Cap



Suggested yarn:

- Pierrot Yarns Koti [92% wool, 8% kid mohair; 75 yds/69m per 2.8 oz./80g skein]; color #03 red, 1 skein [80g]

Tools/Notions:

- 6.0mm (US 10) and 7.0mm (between US 10½ and 11) knitting needles or sizes necessary to achieve gauge
- 2 buttons (21mm/0.8")

Finished measurements:

- head circumference 54cm/21.3"
- depth 26cm/10.2"

Gauge (10cm/4" square):

- stockinette stitch: 12.5 sts and 14.5 rows
- k3p2 ribbing: 12 sts and 16 rows

Gauge may vary according to individual knitting style. Change needle size if necessary to achieve gauge. Alternatively, rework pattern with your own gauge measurements.

Summary

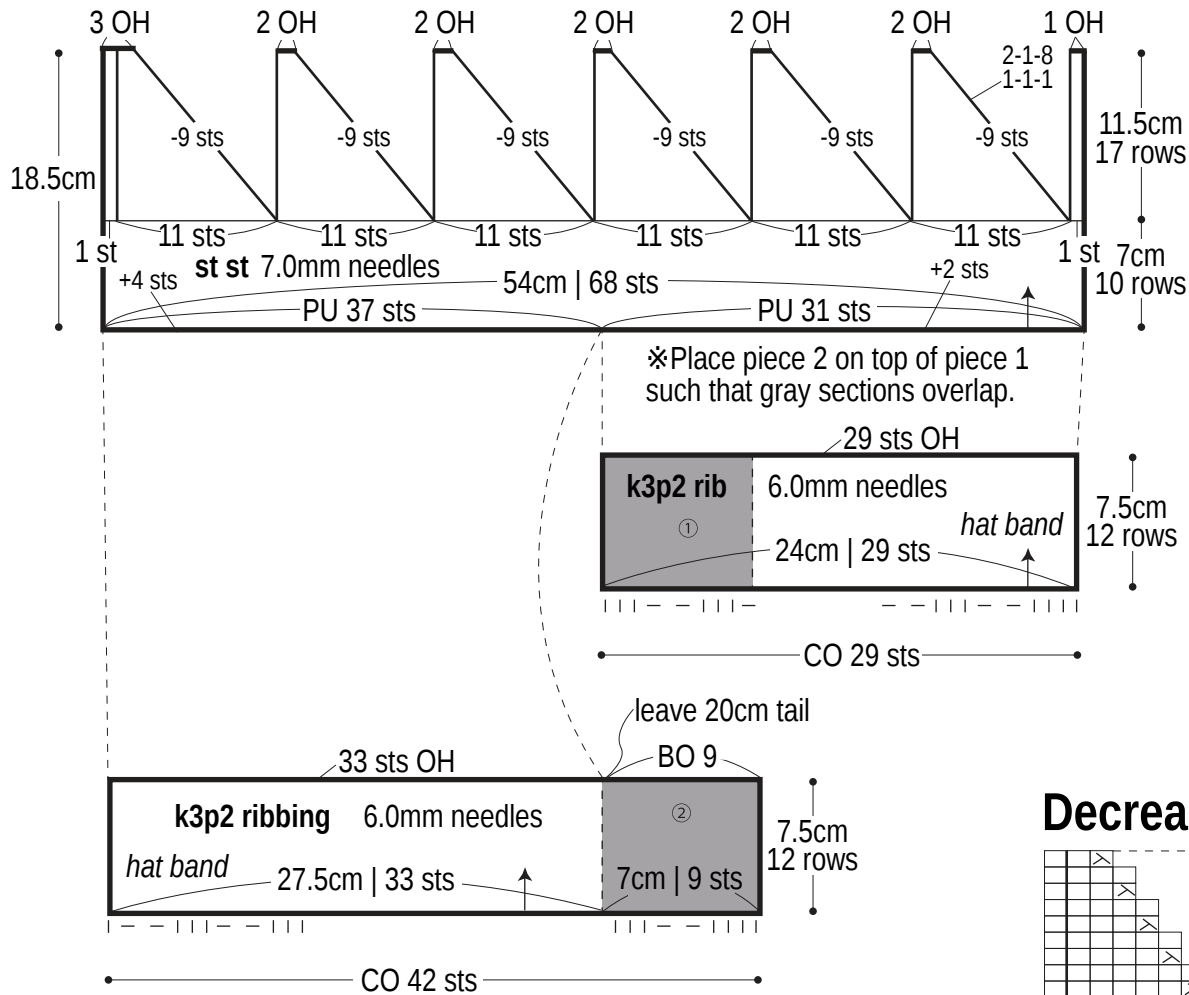
Body of hat: Cast on with long-tail cast-on method. Work flat in k3p2 ribbing. Make second piece. Place piece 2 on top of piece 1 and pick up live stitches from stitch holders. Work in st st. Place all remaining stitches on a stitch holder; do not bind off.

Finishing: Cut yarn and thread the tail through all remaining stitches; cinch top of hat shut. Seam side of hat with mattress stitch. Seam the ribbed section as indicated in finishing schematic using whipstitch.

Abbreviations:

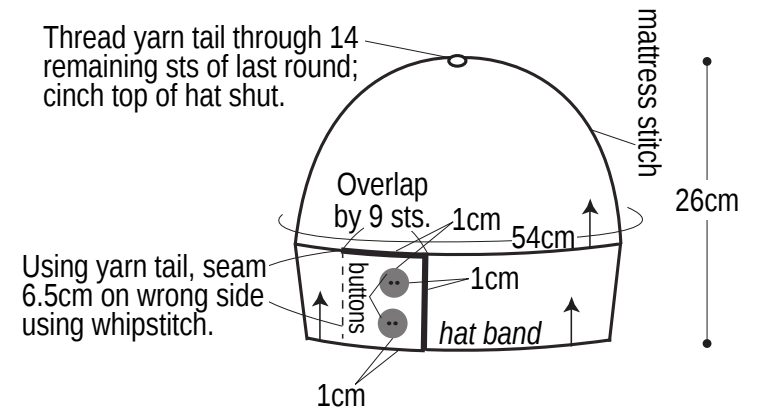
BO = bind off CO = cast on k = knit OH = on hold (place on stitch holder) p = purl PU = pick up st st = stockinette stitch #-#-# = rows-stitches-times

Body of hat



Finishing

Thread yarn tail through 14 remaining sts of last round; cinch top of hat shut.



Decrease chart

