

217s-11 Elegance Crochet



Suggested yarn:

- Pierrot Yarns New Shine Cotton [100% cotton; 148 yds/135m per 1.06 oz./30g skein]; color #26 powder green, 6 skeins [160g]

Tools/Notions:

- 2.0mm (US steel hook #4) crochet hook or size necessary to achieve gauge

Finished measurements:

- length 142cm/55.91"
- width 37cm/14.57"

Gauge:

- 1 motif: 7cm/2.76" square

Gauge may vary according to individual crochet style. Change hook size if necessary to achieve gauge. Alternatively, rework pattern with your own gauge measurements.

Summary

✳️**Note:** Like all Japanese patterns, stitch counts given here for foundation chains do not include any chain sts needed for turning posts.

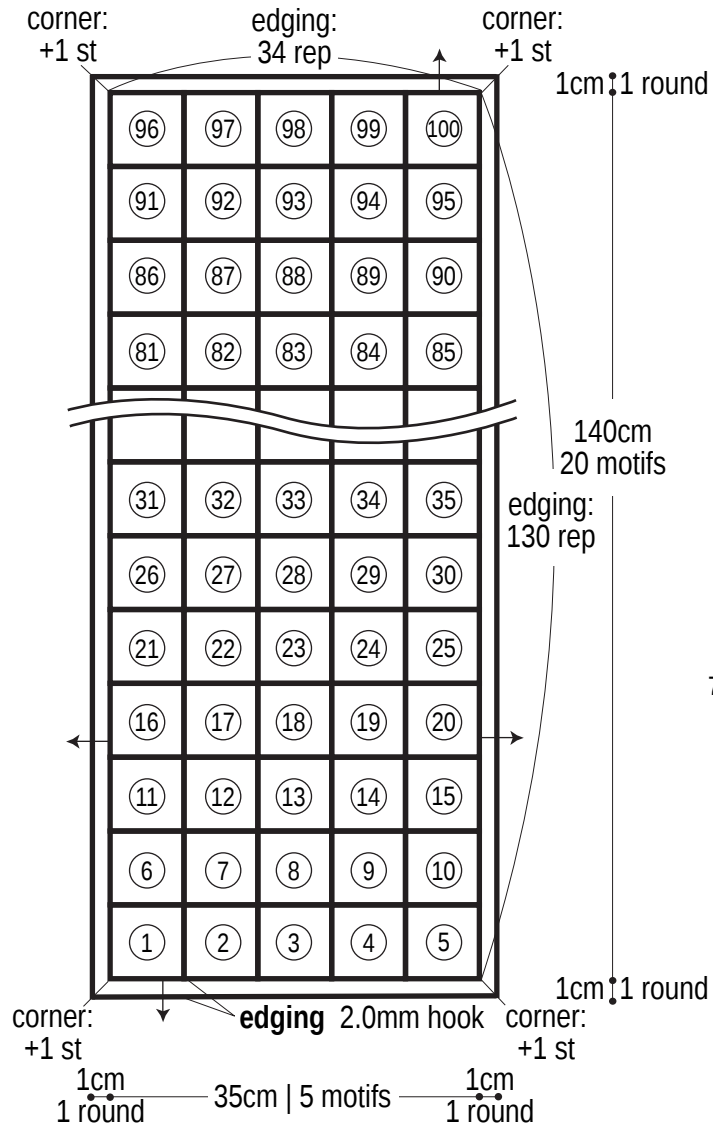
Shawl: Work magic ring to begin, then work first motif according to chart. Starting from second motif, join motifs together on last round using slip stitch. Work in order from motif 1 to 100.

Finishing: Work 1 round of edging along outer edge of shawl.

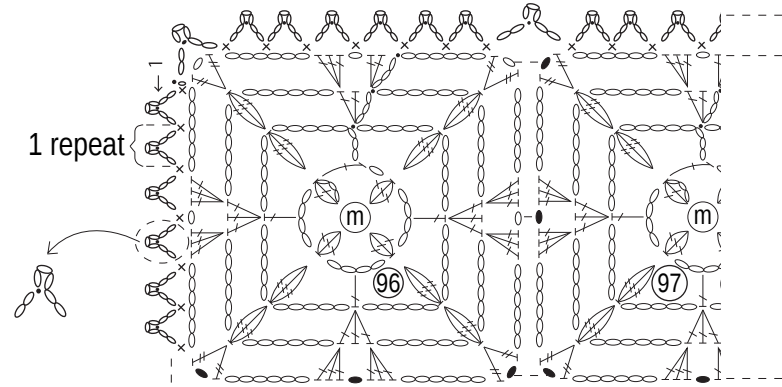
Abbreviations:

m = magic ring/circle
rep = pattern repeat(s)

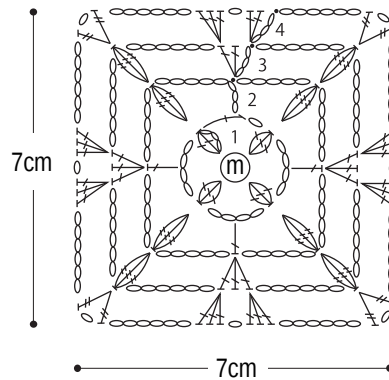
Shawl schematic



Motif joining & edging 2.0mm hook



Motif 2.0mm hook



*Work in order from ① to ⑩.

