

# 405iPadc iPad Case



## Suggested yarn:

- Pierrot Yarns Ramie 100 [100% ramie; 109 yds/100m per 1.41 oz./40g skein];
  - color #1 white, 1 skein [30g]
  - color #6 smoked fresco blue, 1 skein [30g]
  - color #8 black, 2 skeins [50g]

## Tools/Notions:

- 2.3mm (approx. US B) crochet hook or size necessary to achieve gauge
- 2 snaps (17mm/0.67" diameter)

## Finished measurements:

- height 25cm/9.84"
- width 20cm/7.87"

## Gauge (10cm/4" square):

- pattern stitch: 28 sts and 17.5 rows
- double crochet (US): 28 sts and 13 rows

*Gauge may vary according to individual crochet style. Change hook size if necessary to achieve gauge. Alternatively, rework pattern with your own gauge measurements.*

## Summary

❖**Note:** Like all Japanese patterns, stitch counts given here for foundation chains do not include any chain sts needed for turning posts.

**Body:** Work foundation chain to begin front piece, then work in pattern stitch. Work back piece in pattern stitch and dc.

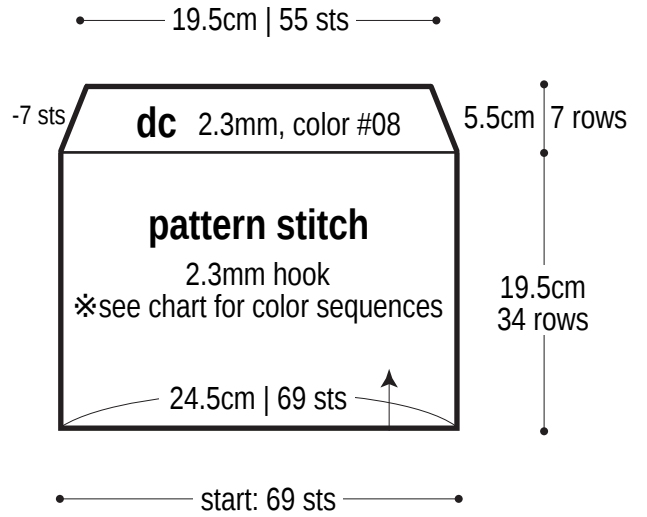
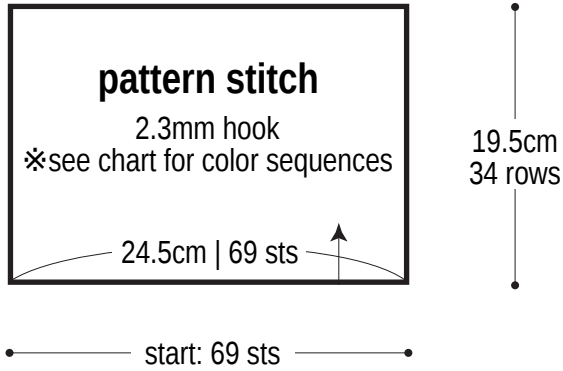
**Finishing:** With wrong sides facing each other, seam front and back pieces together along 3 edges using sc worked through both layers. Sew snaps to case where indicated in finishing schematic.

## Abbreviations:

ch = chain  
dc = double crochet (US)  
sc = single crochet (US)

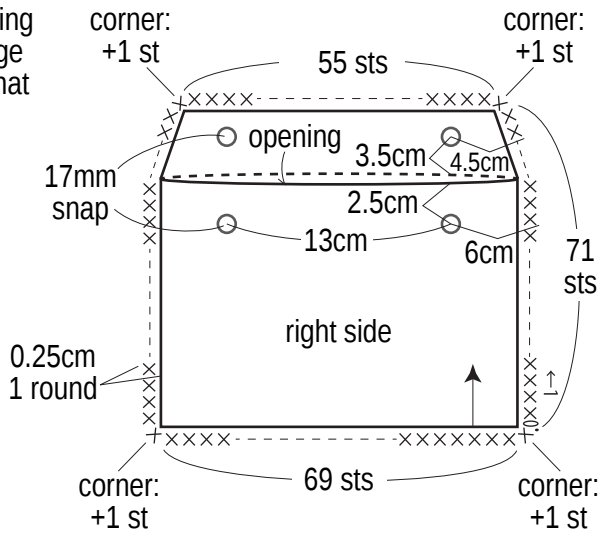
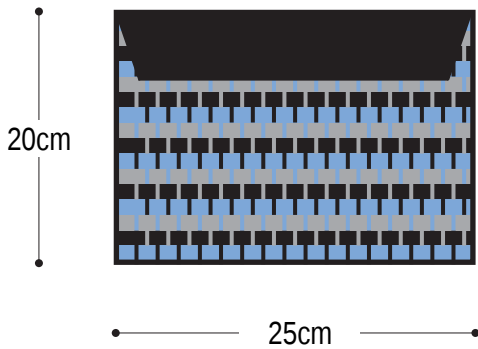
## Back

## Front



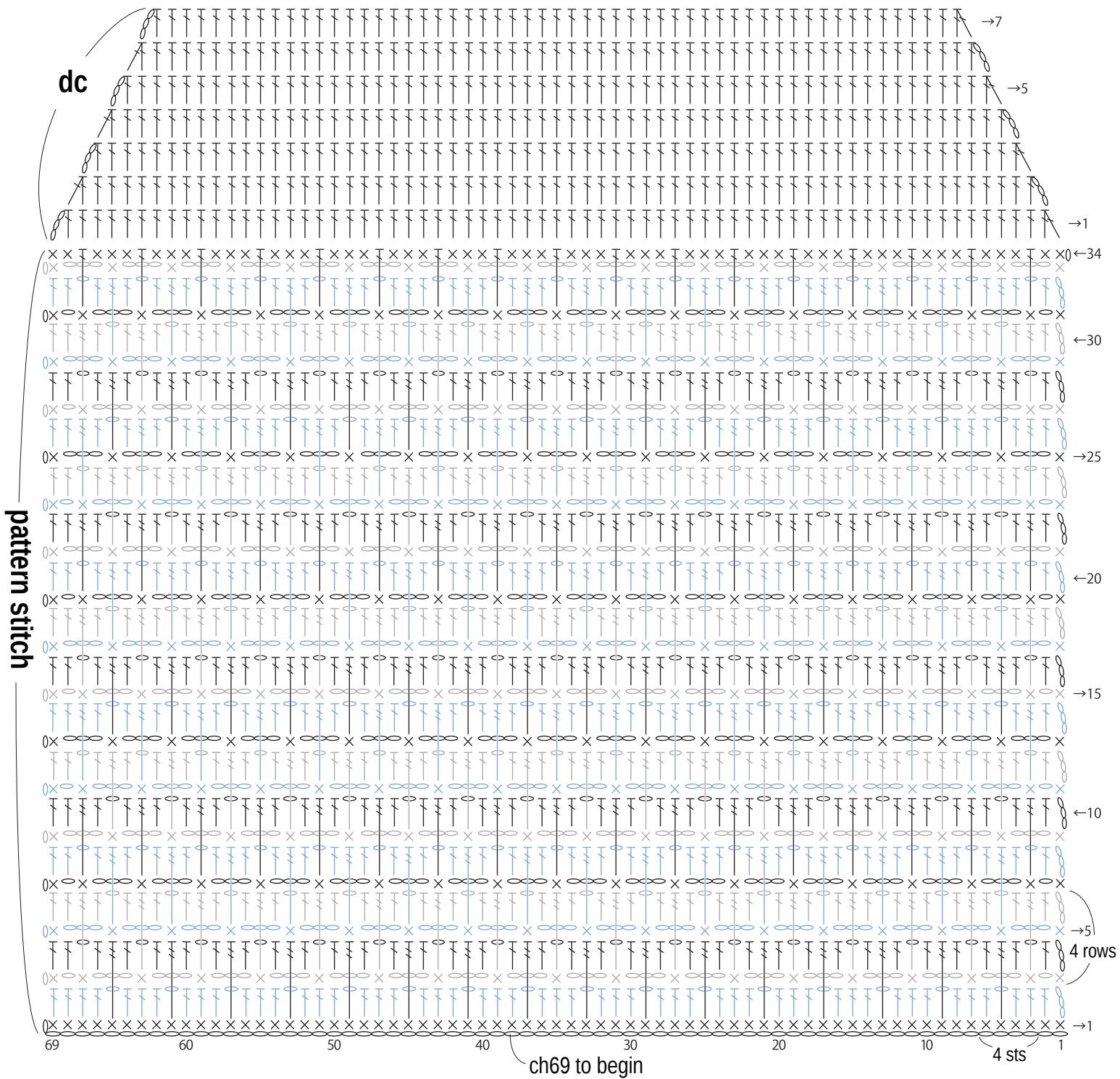
## Finishing

With wrong sides facing each other, seam three edges together with sc. Leave opening unseamed. Also work sc edging along edge of flap. Sew snaps to inside of flap such that they don't show throw to right side.



# Front & back 2.3mm hook

\*For front, work only up through row 34.



— = color #8    — = color #6    — = color #1

1 repeat = 4 sts & 4 rows