

Coucou Hat



Suggested yarn:

- Keito-Zakka Stores Milk [100% wool; 42 yds/38m per 0.88 oz./25g skein]; color #01 milky, 5 skeins [120g]
- Keito-Zakka Stores Coucou [46% acrylic, 31% nylon, 23% wool; 262 yds/240m per 1.41 oz./40g skein]; color #09 savanna, 1 skein [30g]

Tools/Notions:

- 4.0mm (US G) crochet hook or size necessary to achieve gauge

Finished measurements:

- head circumference 56cm/22.05"
- depth 20cm/7.87"

Gauge (10cm/4" square):

- pattern stitch: 18 sts and 8 rounds

Gauge may vary according to individual crochet style. Change hook size if necessary to achieve gauge. Alternatively, rework pattern with your own gauge measurements.

Summary

❖ **Note 1:** Like all Japanese patterns, stitch counts given here for foundation chains do not include any chain sts needed for turning posts.

❖ **Note 2:** Entire hat worked with 2 strands of yarn held together (1 strand of Milk and 1 strand of Coucou).

Top & sides: Work magic ring to begin, then work in pattern stitch, increasing as indicated.

Earflap (make 2): Work first row of earflap into edge of hat where indicated. Work in pattern stitch back and forth in rows. Reverse shaping for second earflap (see chart).

Finishing: Work 3 rounds of sc edging around bottom edges of hat and around edges of earflap. Attach strands of yarn to each earflap (see finishing schematic) and make a 3-strand braid.

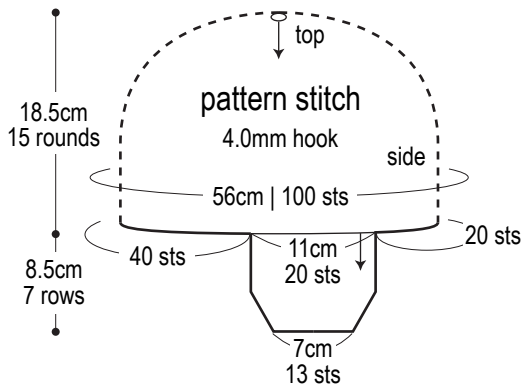
Abbreviations:

ch = chain

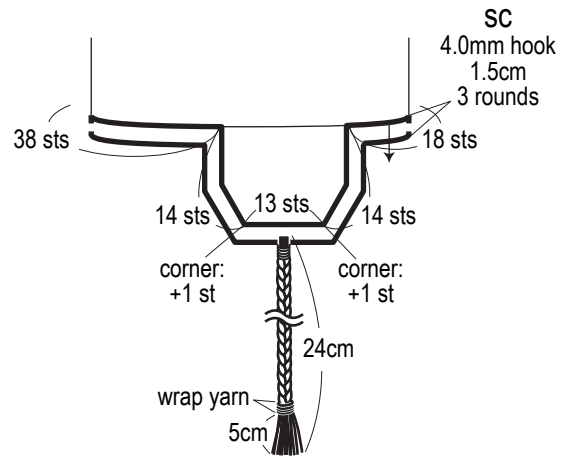
m = magic ring/circle

sc = single crochet (US)

Hat schematic



Finishing



*Make 3-strand braid by taking six 70cm strands (3 strands of Milk and 3 strands of Coucou) and folding in two. Fasten this bundle of yarn to earflap as you would for fringe, then braid the strands. Repeat for other earflap.

Hat chart 4.0mm hook

