

216ss-22 Dishcloths



Suggested yarn:

- Pierrot Yarns Carta [90% cotton, 10% silk; 133 yds/122m per 1.41 oz./40g skein];
 - Version A:
 - color #67 sky blue, 1 skein [15g]
 - color #68 navy, 1 skein [20g]
 - Version B:
 - color #51 milky white, 1 skein [25g]
 - color #67 sky blue, 1 skein [20g]
 - Version C:
 - color #65 platinum, 1 skein [20g]
 - color #68 navy, 1 skein [25g]

Tools/Notions:

- 3.3mm (approx. US 4) knitting needles or size necessary to achieve gauge

Finished measurements:

- length 32cm/12.60"
- width 23cm/9.06"

Gauge (10cm/4" square):

- pattern stitch A: 20.5 sts and 45.5 rows
- pattern stitch B: 25.5 sts and 45.5 rows
- pattern stitch C: 30.5 sts and 44.5 rows

Gauge may vary according to individual knitting style. Change needle size if necessary to achieve gauge. Alternatively, rework pattern with your own gauge measurements.

Summary

Cast on with long-tail cast-on method. Work in pattern stitch A, B, or C (depending on which version you choose). Bind off all stitches.

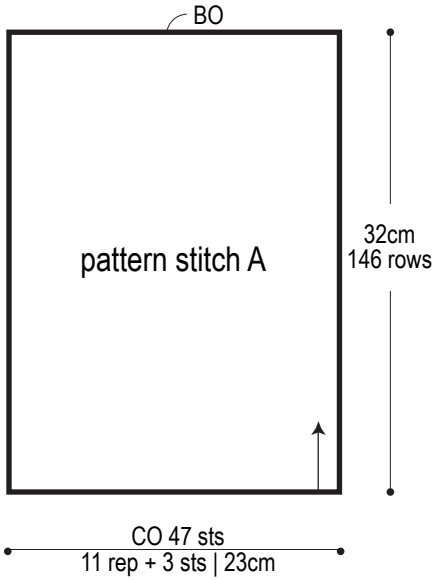
Abbreviations:

BO = bind off

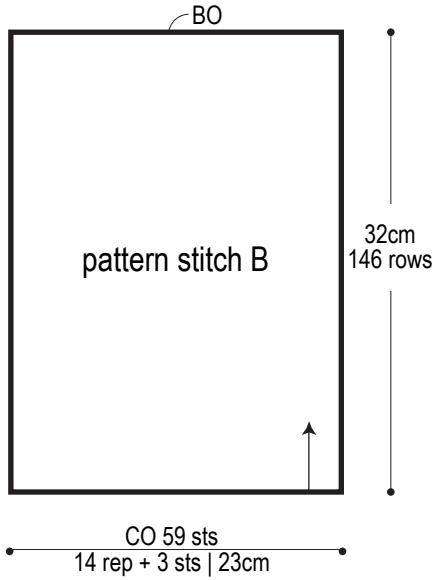
CO = cast on

rep = pattern repeat(s)

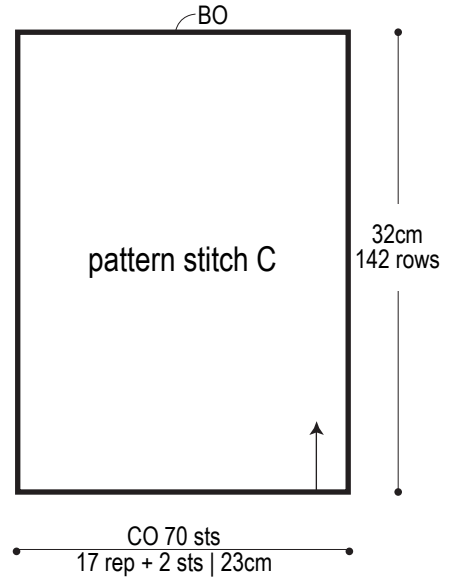
Version A
3.3mm needles



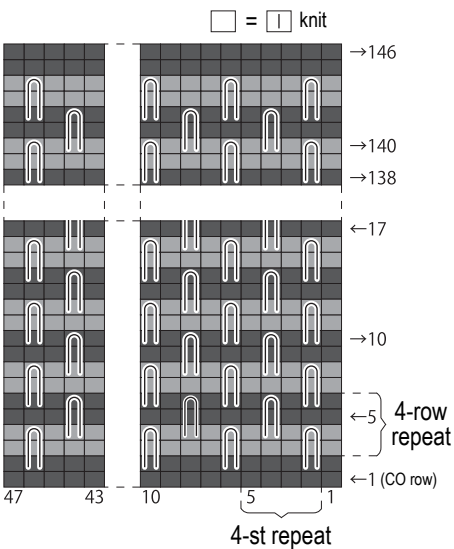
Version B
3.3mm needles



Version C
3.3mm needles

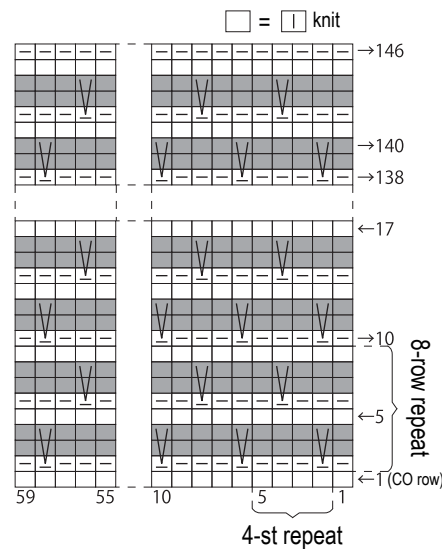


Pattern stitch A
3.3mm needles



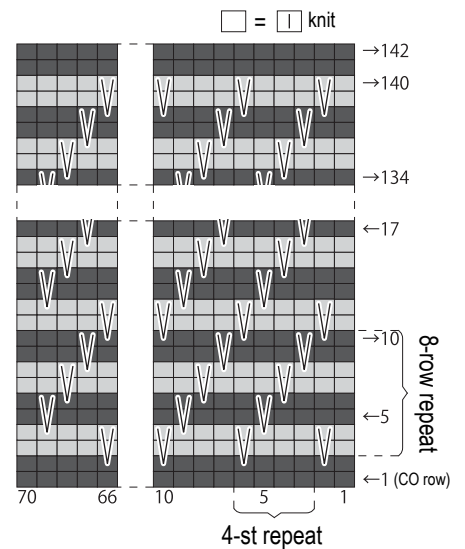
- = color #67 sky blue
- = color #68 navy

Pattern stitch B
3.3mm needles



- = color #51 milky white
- = color #67 sky blue

Pattern stitch C
3.3mm needles



- = color #65 platinum
- = color #68 navy