

216ss-02 Knit Bustier



Suggested yarn:

- Pierrot Yarns Orgabits One [10% organic cotton, 90% conventional cotton; 142 yds/130m per 1.41 oz./40g skein]; color #12 honey gold, 4 skeins [135g]

Tools/Notions:

- 3.6mm (approx. US 5) and 3.9mm (approx. US 6) knitting needles or sizes necessary to achieve gauge

Finished measurements:

- bust 82cm/32.28"
- cross back width 29cm/11.42"
- back length 48cm/18.90"

Gauge (10cm/4" square):

- twisted k1p1 ribbing (with 3.6mm needles): 28 sts and 33 rows
- twisted k1p1 ribbing (with 3.9mm needles): 26 sts and 31 rows

Gauge may vary according to individual knitting style. Change needle size if necessary to achieve gauge. Alternatively, rework pattern with your own gauge measurements.

Summary

Body (make 2): Cast on with long-tail cast-on method. Work in twisted k1p1 ribbing, changing needle size when indicated to alter gauge.

Finishing: Seam shoulders with crochet slip stitch seam. Seam sides with mattress stitch, leaving slit at each side unseamed.

Abbreviations:

BO = bind off

CO = cast on

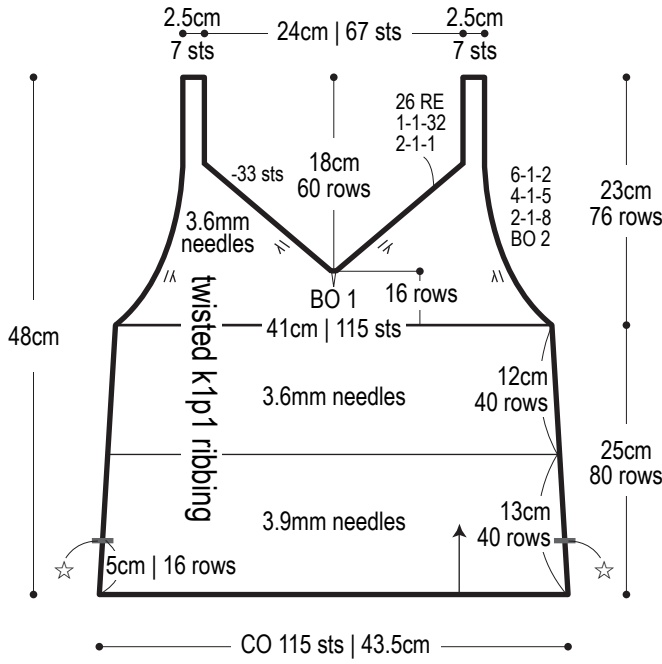
k = knit stitch

p = purl stitch

RE = row(s) even

= rows-stitches-times

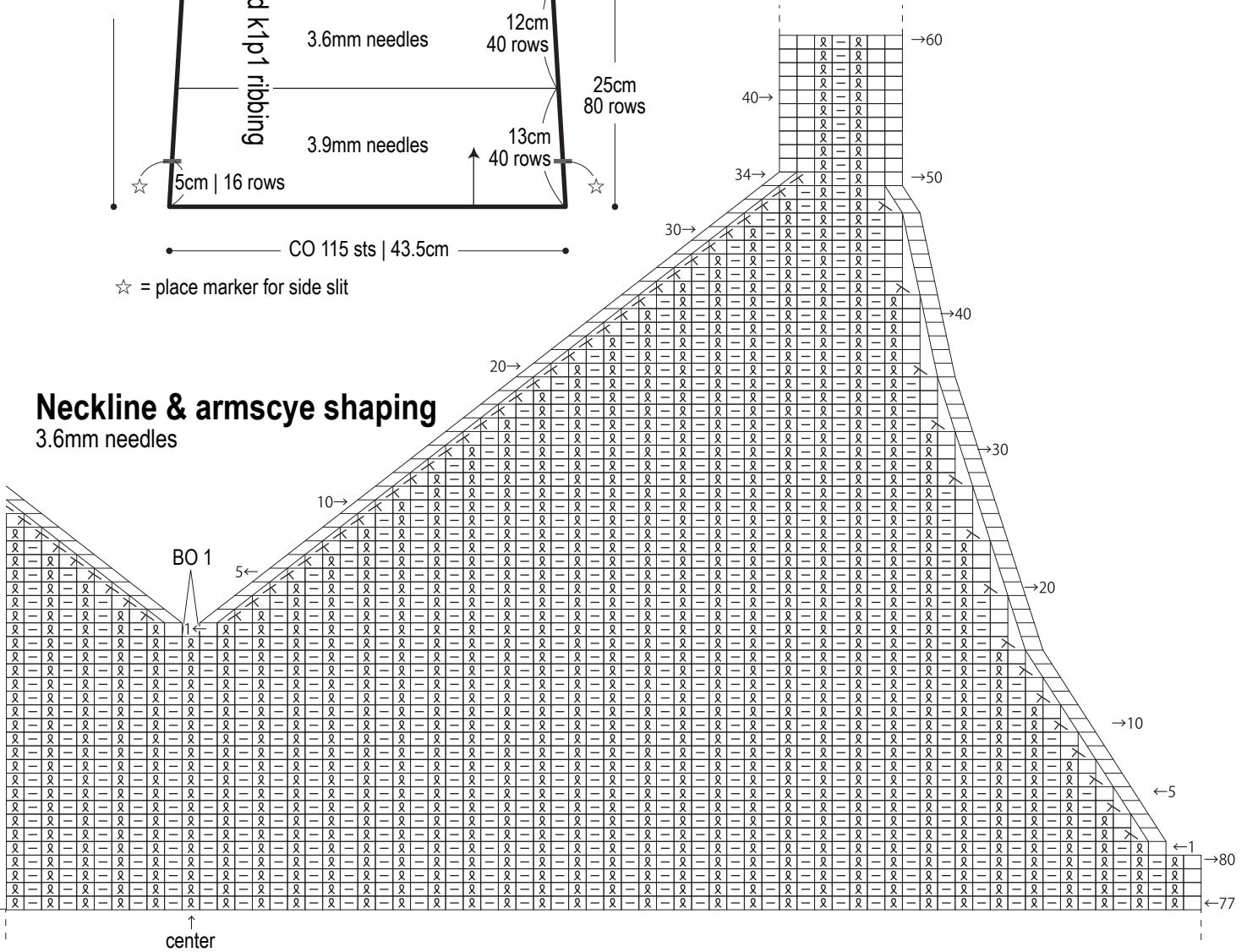
Body (make 2)



☆ = place marker for side slit

Neckline & armscye shaping

3.6mm needles



Twisted k1p1 ribbing

☐ =

knit

