

# Mr. Sheep



## Suggested yarn:

- Pierrot Yarns Macon [70% alpaca, 30% nylon; 80 yds/73m per 0.88 oz./25g skein];
  - color #21 off-white, 2 skeins [30g]
  - color #22 beige gray, 1 skein [5g]
- Keito-Zakka Stores Merino Warm DK [60% wool, 40% merino wool; 96 yds/88m per 1.41 oz./40g skein]; color #41 off-white, 1 skein [40g]

## Tools/Notions:

- 3.0mm (approx. US C or D) crochet hook or size necessary to achieve gauge
- polyfiber stuffing (approx. 15g/0.53 oz.)
- small amount brown yarn or embroidery thread
- 2 safety eyes (8mm/0.31")
- 4 wooden buttons (15mm/0.59")
- 3 orange wooden beads (5mm/0.20")

## Finished measurements:

- Please see finishing schematic.

## Gauge (10cm/4" square):

- single crochet (US) stitch: 21 sts and 24 rows

*Gauge may vary according to individual crochet style. Change hook size if necessary to achieve gauge. Alternatively, rework pattern with your own gauge measurements.*

## Summary

✳️**Note:** Like all Japanese patterns, stitch counts given here for foundation chains do not include any chain sts needed for turning posts.

**Head, torso, arms, legs, and ears:** Work magic ring to begin, then work in sc, increasing and decreasing as indicated. Insert stuffing. Thread yarn tail through all sts of last round and cinch shut. For arms and legs, insert stuffing only until about 3/4 full. Do not insert stuffing into ears.

**Coat:** Work foundation chain to begin, then work in sc and loop sc. Seam shoulders with woven seam. Seam sleeves to body with woven seam. Seam sleeve undersides and sides of coat in one continuous woven seam.

**Wig & shoes:** Work magic ring to begin, then work in loop sc (wig) or sc (shoes), increasing and decreasing as indicated.

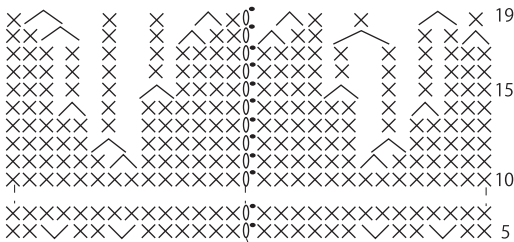
**Finishing:** Sew head to torso. For arms and legs, insert needle into same stitch where button is, then thread yarn into torso and fasten off so that arms and legs are movable. Sew ears to head. Fasten safety eyes to front of head. Embroider nose and mouth on face using brown yarn or embroidery thread.

## Abbreviations:

ch = chain  
m = magic ring/circle  
RE = row(s) even  
sc = single crochet (US)  
### = rows-stitches-times

❖ **Note:** Use Merino Warm DK color #41 and 3.0mm hook for all body parts.

## Head

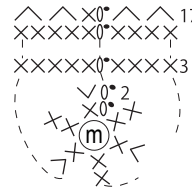


circumference = 13cm  
length = 8cm

round no.	stitch count
19	11 (-4 sts)
18	15 (-5 sts)
17	20
16	20 work even
15	20
14	22 -2 sts
13	24 work even
12	24
11	26 -2 sts
10	28
~	work even
6	28
5	28 (+4 sts)
4	24
3	18 +6 sts
2	12
1	6

(Work 6 sts into magic ring.)

## Arm (make 2)



circumference = 4.5cm  
length = 7cm

round no.	stitch count
17	5 (-4 sts)
16	9
~	work even
3	9
2	9 (+3 sts)
1	6

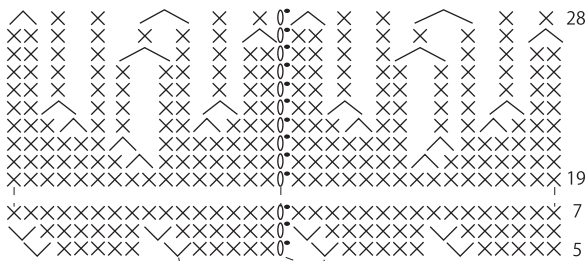
(Work 6 sts into magic ring.)

## Arms & legs

Thread yarn tail through all sts on last round; cinch shut.



## Torso

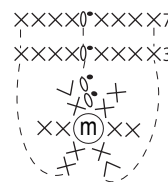


circumference = 15cm  
length = 11.5cm

round no.	stitch count
28	12 (-4 sts)
27	16
26	18 -2 sts
25	20
24	20 work even
23	20
22	24 -4 sts
21	28 -2 sts
20	30
19	32
~	work even
7	32
6	32
5	38 +4 sts
4	34
3	18 +6 sts
2	12
1	6

(Work 6 sts into magic ring.)

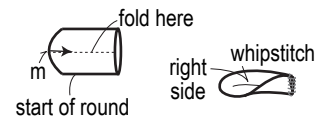
## Ear (make 2)



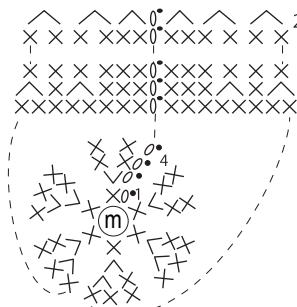
circumference = 3.5cm  
length = 3cm

round no.	stitch count
7	8
~	work even
3	8
2	8 (+2 sts)
1	6

(Work 6 sts into magic ring.)



## Leg (make 2)



circumference = 6cm  
length = 9.5cm

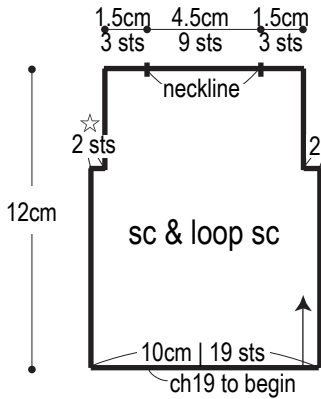
round no.	stitch count
23	6 (-6 sts)
22	12
~	work even
7	12
6	12 (-4 sts)
5	16
4	16 work even
3	16 (+4 sts)
2	12 (+6 sts)
1	6

(Work 6 sts into magic ring.)

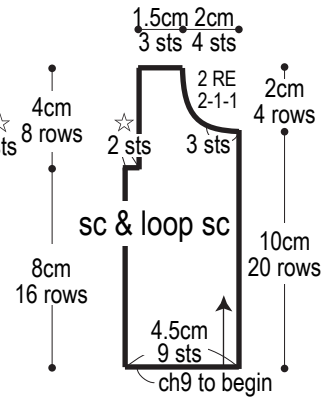
❄️ **Coat:** Macon color #21, 3.0mm hook

gauge in sc and loop sc: 19 sts & 20 rows per 10cm square

### Back

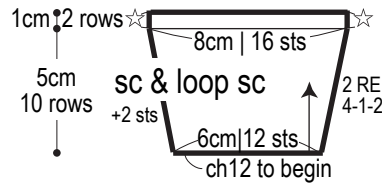


### Right front

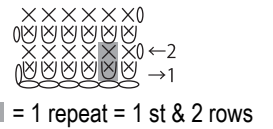


❄️ Reverse shaping for left front.

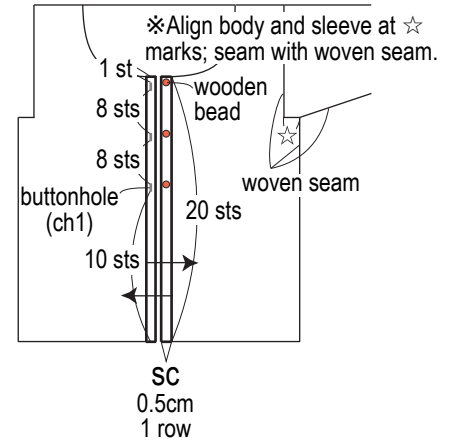
### Sleeve



### sc & loop sc

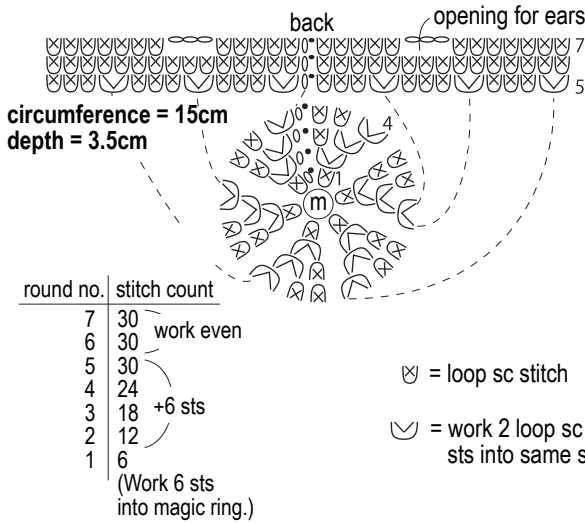


### Coat finishing



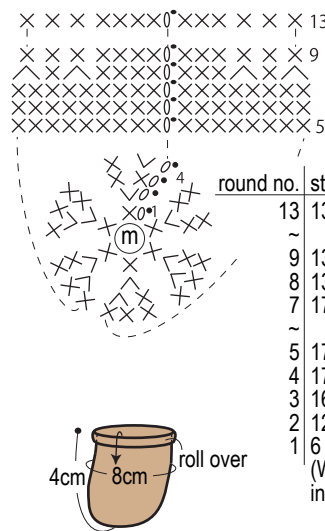
### Wig

Macon color #21, 3.0mm hook

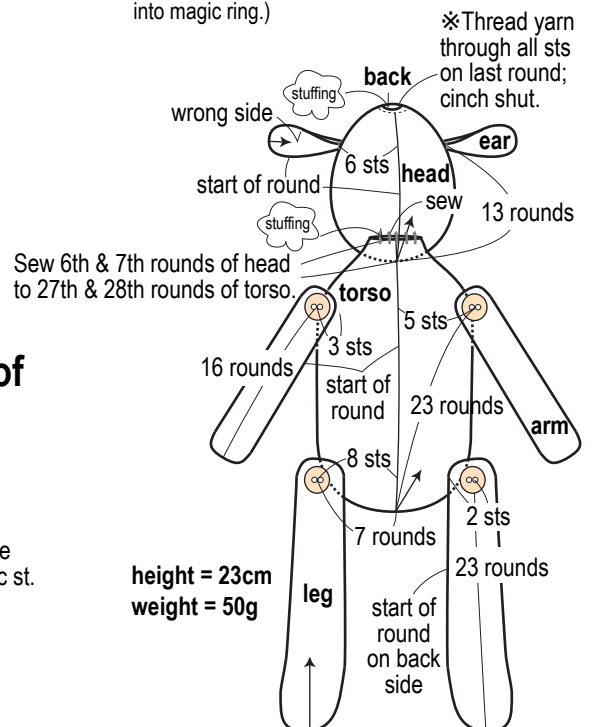


### Shoe (make 2)

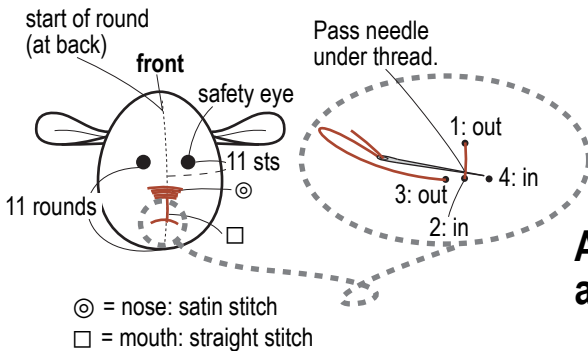
Macon color #22, 3.0mm hook



### Finishing



### Face



⊙ = nose: satin stitch  
□ = mouth: straight stitch

❄️ If desired, change mouth and/or nose to another facial expression.

### Attachment of arms & legs

