

# 1203dss Drop Shoulder Sweater



## Suggested yarn:

- Pierrot Yarns Traditional Merino [100% merino wool; 131 yds/120m per 1.41 oz./40g skein];
  - color #03 magenta rose, 14 skeins [560g]

## Tools/Notions:

- 3.6mm (approx. US 5) and 4.2mm (approx. US 6) knitting needles or sizes necessary to achieve gauge
- 4.0mm (US G) crochet hook or size necessary to achieve gauge

## Finished measurements:

- bust 121cm/47.64"
- center back neck-to-cuff 72cm/28.35"
- back length 67cm/26.38"

## Gauge (10cm/4" square):

- English rib stitch: 19 sts and 31.5 rows

*Gauge may vary according to individual knitting style. Change needle size if necessary to achieve gauge. Alternatively, rework pattern with your own gauge measurements.*

## Summary

**Back and front:** Cast on with long-tail cast-on method. Work in k1p1 ribbing, then continue in English rib. Seam shoulders with three-needle bind-off method.

**Sleeve (make 2):** Pick up stitches along armhole edges (from shoulder seam to marker). Work sleeve in English rib. Work cuff in k1p1 ribbing, then bind off in pattern.

**Finishing:** With crochet hook, work slip stitch edging around neckline in the round. Seam sides and sleeve undersides with mattress stitch.

## Abbreviations:

BO = bind off

CO = cast on

k = knit

p = purl

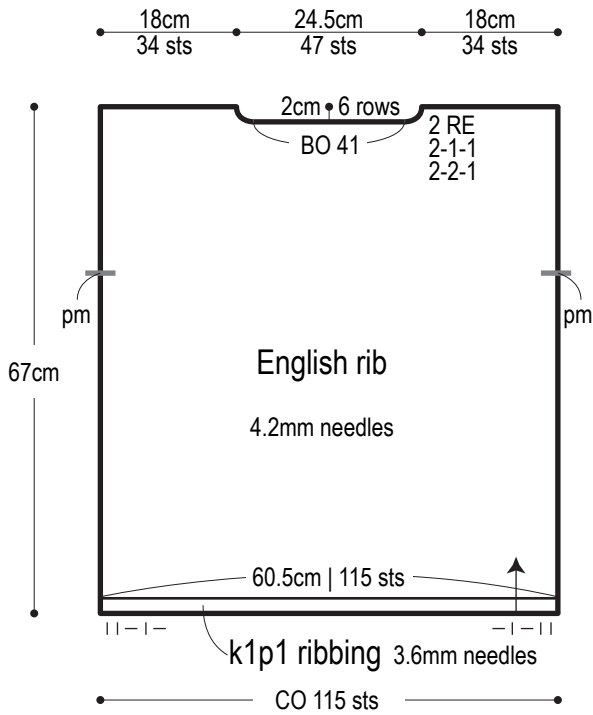
pm = place marker

PU = pick up

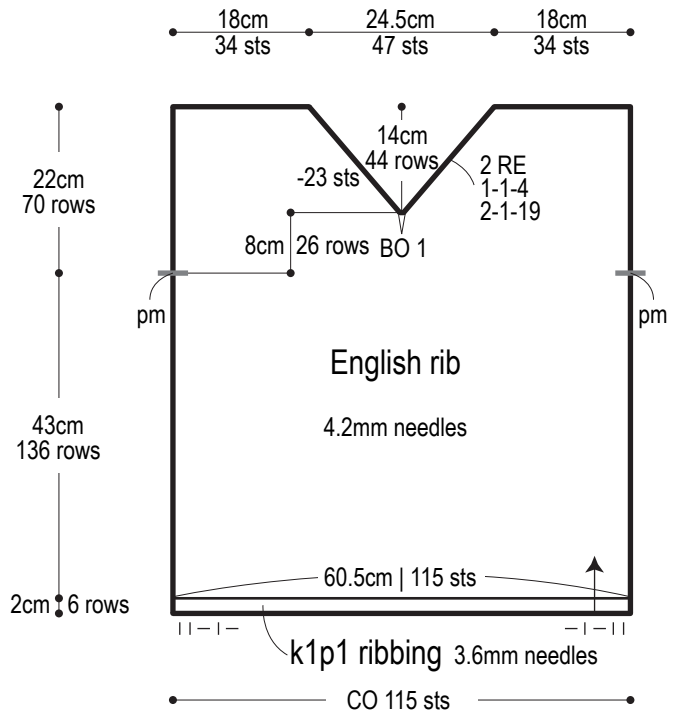
RE = row(s) even

### = rows-stitches-times

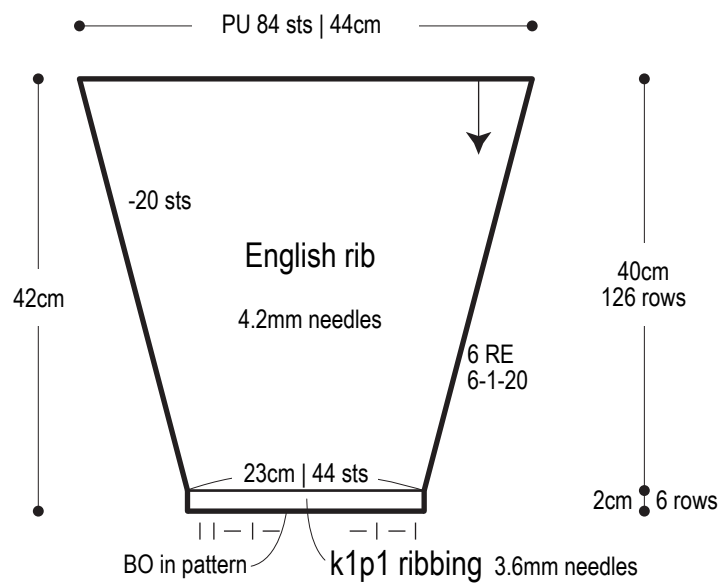
## Back



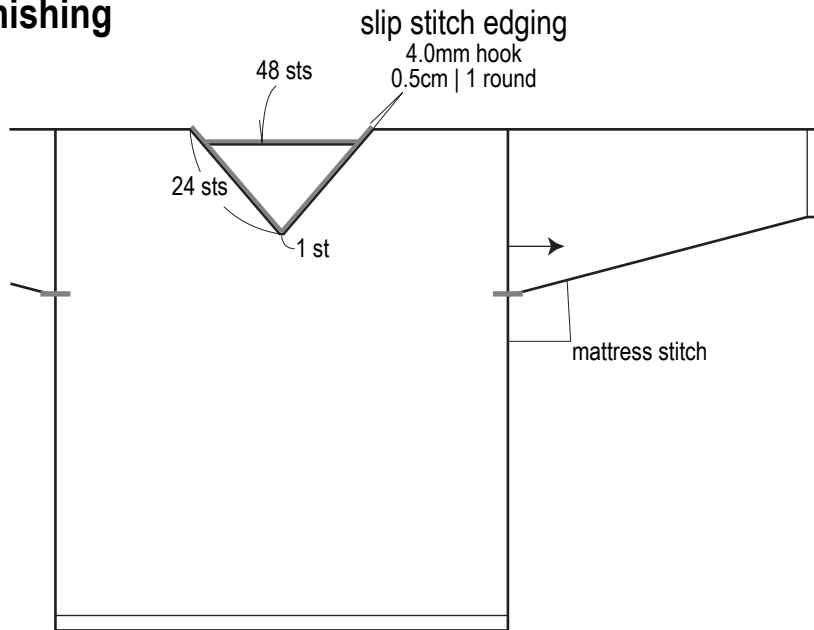
## Front



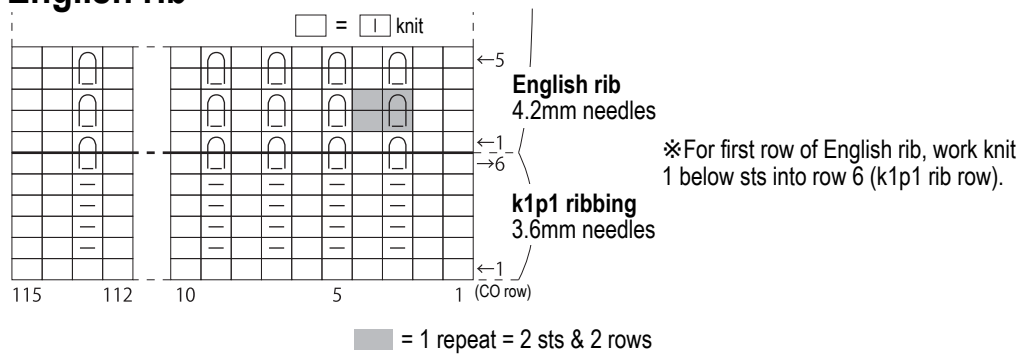
## Sleeve



## Finishing



## English rib



## Sleeve: English rib

4.2mm needles

