

211-27 Tsubaki Cotton Necktie

a.



b.



小剣止めもあり

Suggested yarn:

- Pierrot Yarns Tsubaki Cotton [100% cotton treated with tsubaki oil (camellia); 90 yds/82m per 1.41 oz./40g skein];
 - color #07 beige gray, 1 skein [3g]
 - color #08 dark brown, 1 skein [5g]
 - color #06 light brown, 2 skeins [55g]

Tools/Notions:

- 3.0mm (US 2½) and 3.6mm (approx. US 4) knitting needles or sizes necessary to achieve gauge
- 2.5mm (US B or C) crochet hook or size necessary to achieve gauge

Finished measurements:

- width (at widest section) 5cm/1.97"
- length 154cm/60.63"

Gauge (10cm/4" square):

- stockinette stitch: 22 sts and 30 rounds

Gauge may vary according to individual knitting style. Change needle size if necessary to achieve gauge. Alternatively, rework pattern with your own gauge measurements.

Summary

Cast on 22 stitches with long-tail cast-on method, then join and work in the round. Referring to schematic, work ribbing with 3.0mm needles, then continue in stockinette stitch with 3.6mm needles. Continue in stockinette, working stripes in colors A and B as indicated. Bind off after last round. Block with steam iron. Seam keeper (loop) piece to back approximately 15cm/5.91" from bind-off edge.

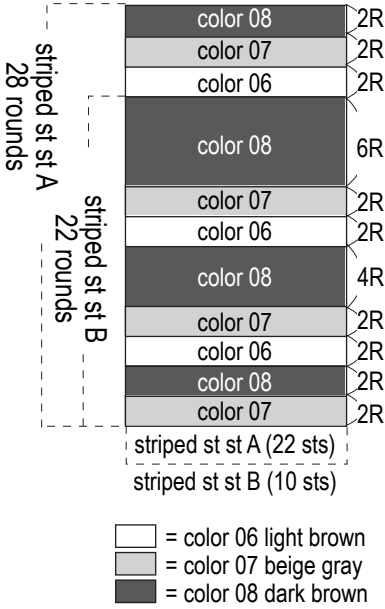
※Increases and decreases are worked in two places at back center.

Abbreviations:

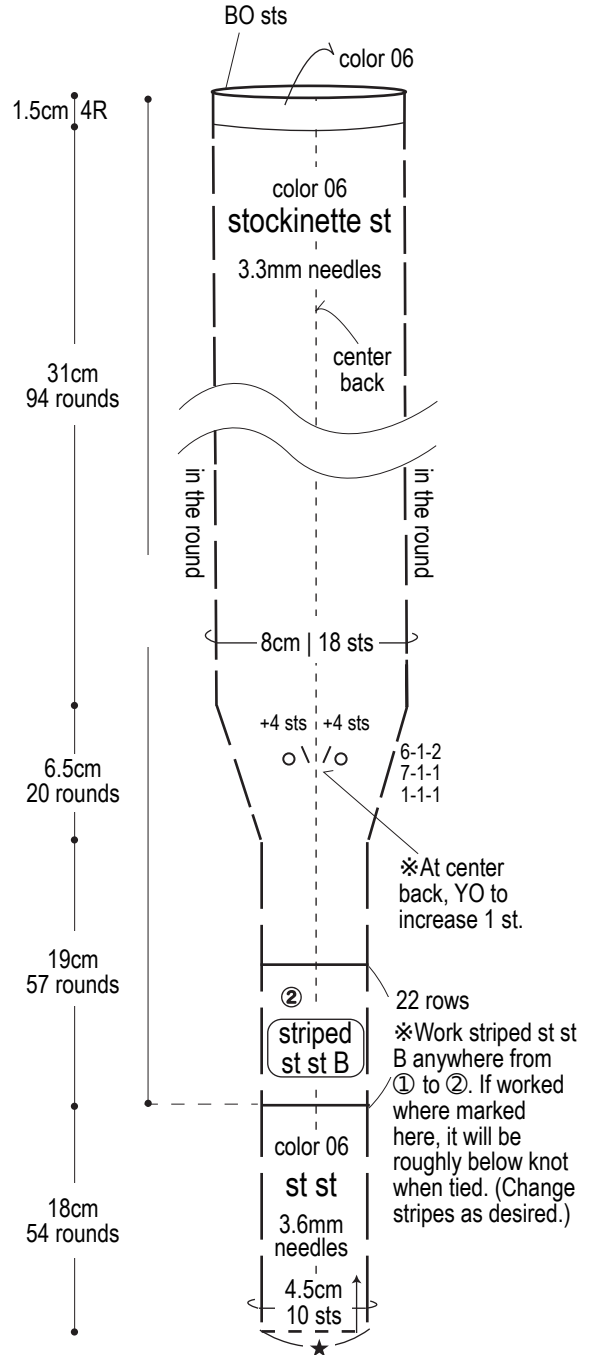
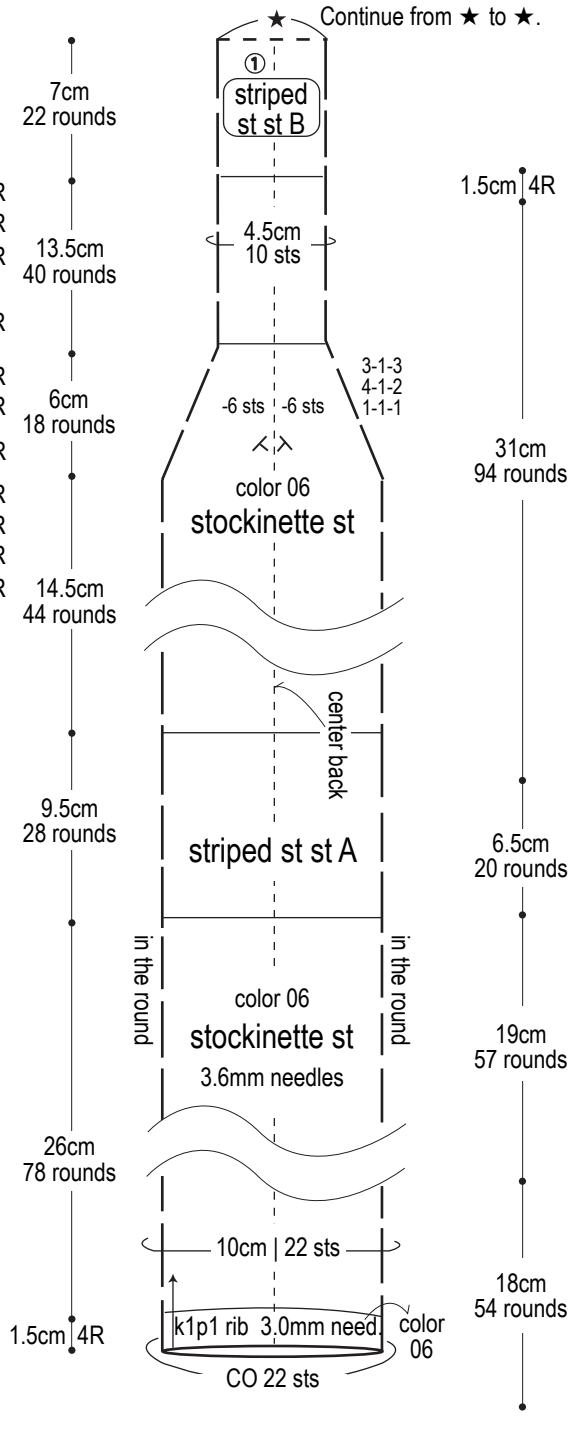
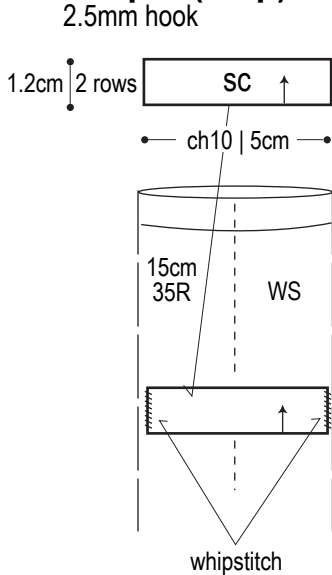
BO = bind off
ch = chain stitch
CO = cast on
sc = single crochet (US)
st st = stockinette stitch
WS = wrong side
= rows-stitches-times

Tie schematic

Color sequence



Keeper (loop)



R = round(s)