

214ss-13 Kitchen Mat



Suggested yarn:

- Pierrot Yarns MIEL [100% jute; 120 yds/110m per 3.88oz/110g skein];
 - color #2 pink, 3 skeins [230g]
 - color #4 plant, 5 skeins [550g]
 - color #7 violet, 3 skeins [230g]

Tools/Notions:

- 3.0mm (approx. US C or D) crochet hook or size necessary to achieve gauge

Finished measurements:

- width 45cm/17.72"
- length 180cm/70.87"

Gauge (10cm/4" square):

- pattern stitch: 23.5 sts and 9 rows

Gauge may vary according to individual crochet style. Change hook size if necessary to achieve gauge. Alternatively, rework pattern with your own gauge measurements.

Crochet Tips

✿**Note:** Like all Japanese patterns, stitch counts given here for foundation chains do **not** include any chain sts needed for turning posts.

Kitchen mat: Work foundation chain to begin, then work in pattern stitch. After first half is complete, begin second half by working first row into bottom loops of foundation chain. Work second half in pattern stitch. Refer to chart for color sequences.

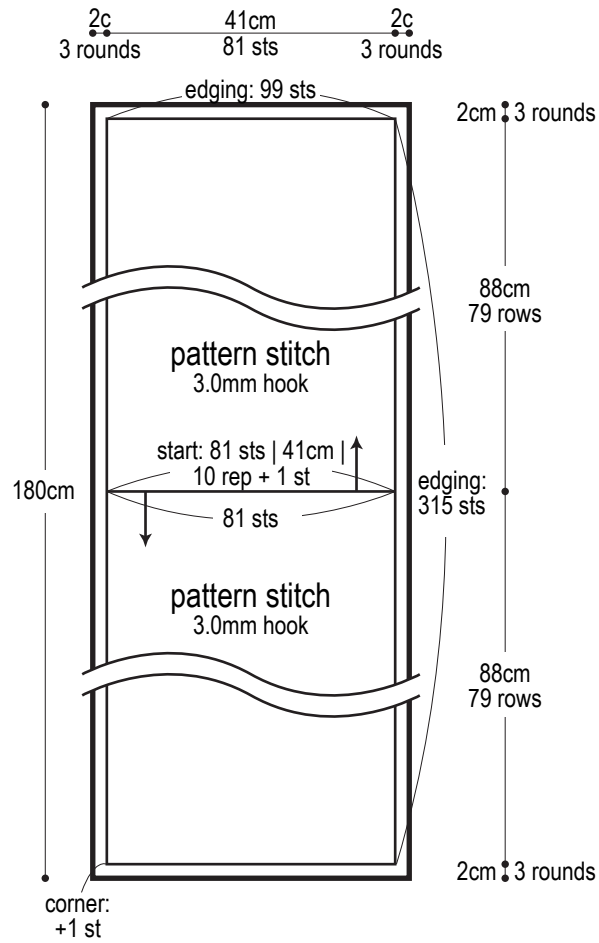
Finishing: Work edging in the round around entire outer edge of mat.

Abbreviations:

ch = chain

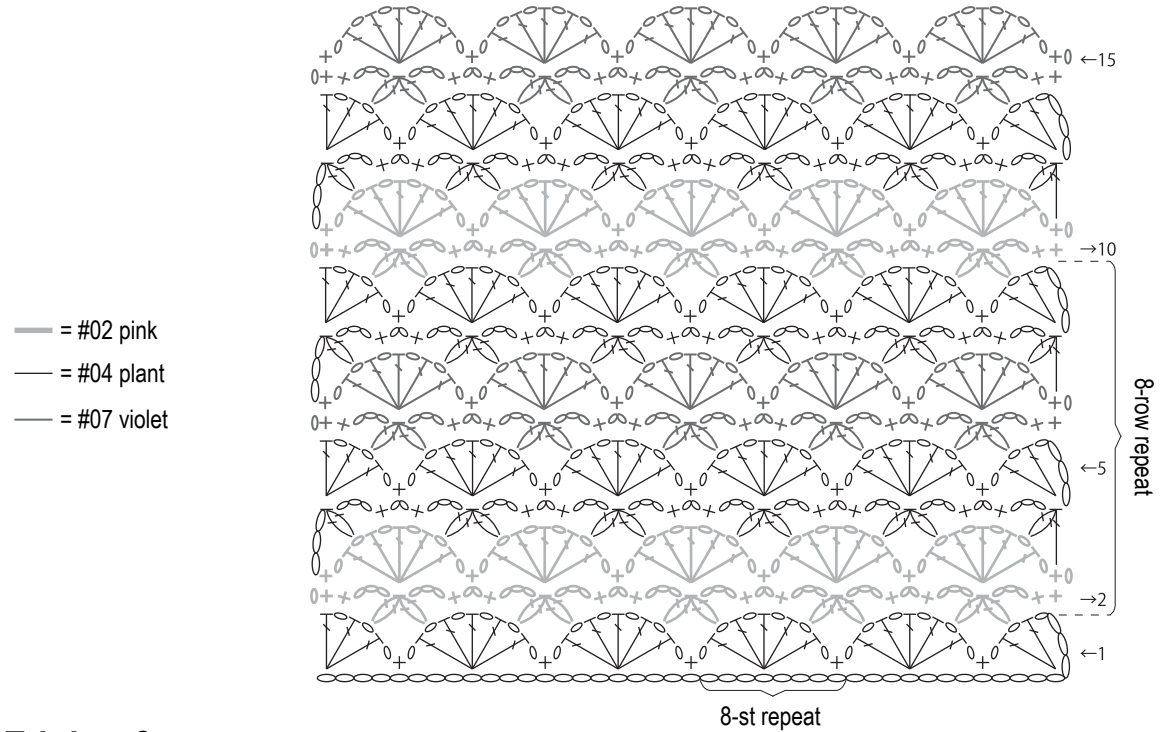
rep = pattern repeat(s)

Schematic



Pattern stitch

3.0mm hook



Edging & corners

3.0mm hook

