

# 213fw-25 Abbey Backpack



## Suggested yarn:

- Pierrot Yarns Abbey [100% wool; 59 yds/54m per 1.41 oz./40g skein]; color #92 pink variegated, 4 skeins [155g]

## Tools/Notions:

- 5.0mm (US H) crochet hook or size necessary to achieve gauge
- synthetic leather for straps, 11mm/0.43" by 120cm/47.24"
- 1 magnetic snap
- 1 buckle with adjustable tine (15mm/0.59")
- 4 D-rings (12mm/0.47")
- 2 suspender clips, gold color

## Finished measurements:

- circumference 58cm/22.83"
- depth 19.5cm/7.68"

## Gauge (10cm/4" square):

- single crochet (US): 14.5 sts and 17 rows

*Gauge may vary according to individual crochet style. Change hook size if necessary to achieve gauge. Alternatively, rework pattern with your own gauge measurements.*

## Crochet Tips

**Bottom:** Work foundation chain to begin. Working into bottom loops of chain, work in sc. Continue in sc.

**Sides:** Working around edges of bottom piece, work sc back and forth in joined rounds. Work 30 rounds, then on final round, work sc for back section but edging for front and gussets.

**Flap:** Join yarn to back, then work in sc. Work crab stitch edging around perimeter of flap.

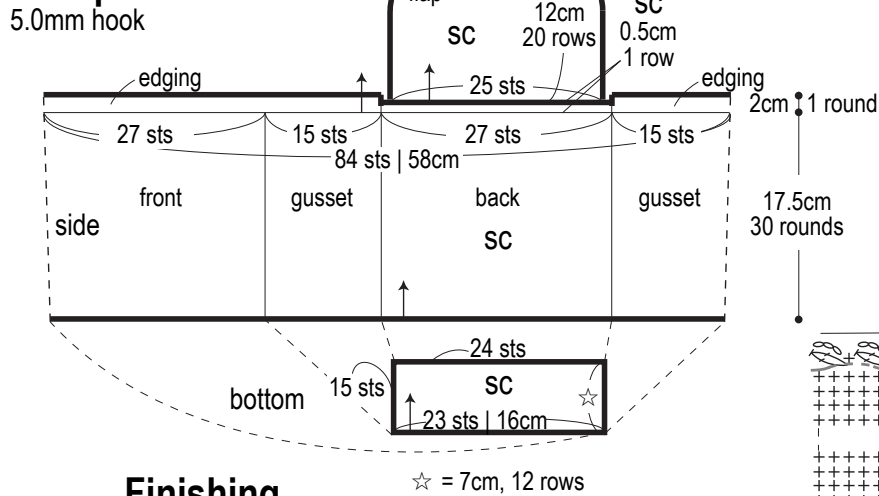
**Finishing:** Crochet two cords, then seam to inside of base where flap is attached. Thread through eyelets in pattern stitch, then tie in a bow in front. Crochet belt loop and sew to bag. Fasten 4 D-rings to bag where indicated. Sew short belt piece to flap. Also sew magnetic snap to front where indicated. Attach adjustable buckle and suspender clips to leather straps.

## Abbreviations:

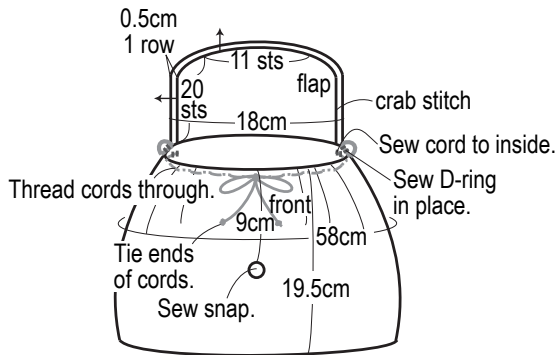
ch = chain

sc = single crochet (US)

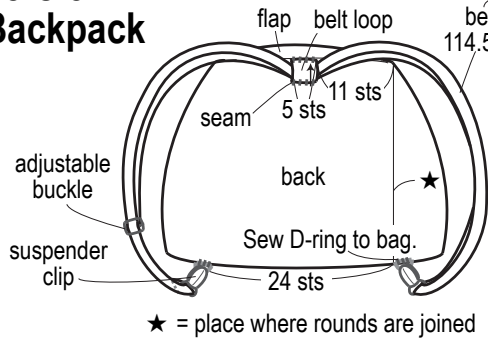
# Backpack schematic



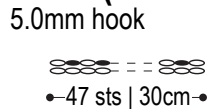
## Finishing



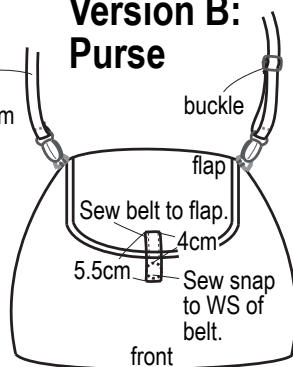
## Version A: Backpack



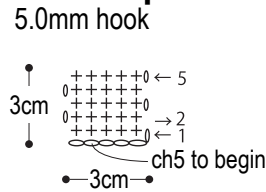
## Cord (make 2)



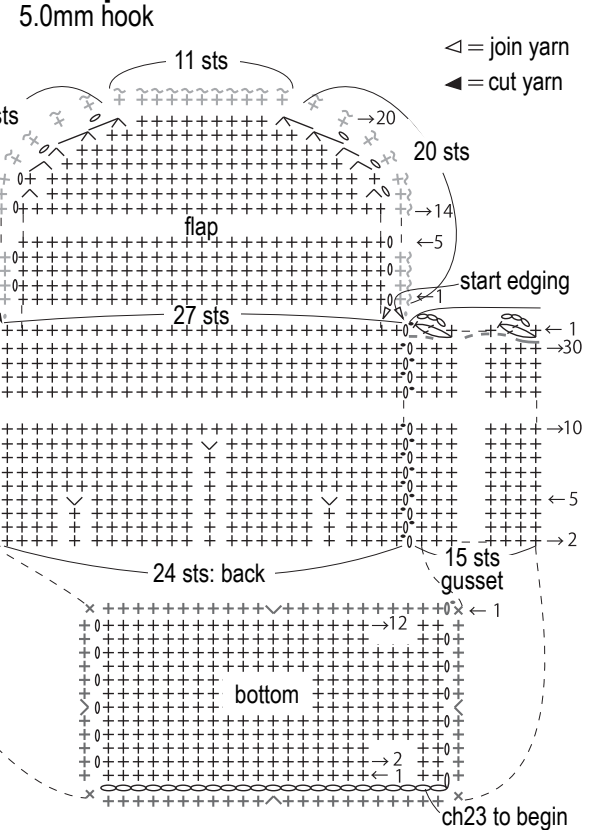
## Version B: Purse



## Belt loop



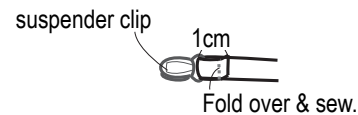
## Backpack chart



## side

row no.	stitch count
1	84 sts (sc edging)
30	~
10	84 sts (work even)
9	84 sts (+2 sts)
8	~
8	82 sts (work even)
6	~
5	82 sts (+4 sts)
4	~
4	78 sts (work even)
2	~
2	78 sts

## How to attach sponser clips



## How to attach adjustable buckle

