

213fw-16 Cardigan with Detachable Fur Collar



Suggested yarn:

- Pierrot Yarns Sourire [87% wool, 13% nylon; 77 yds/70m per 1.41 oz./40g skein]; color #53 light gray, 13 skeins [505g]
- Pierrot Yarns Savon [100% nylon; 61 yds/56m per 1.41 oz./40g skein]; color #05 rose dust, 3 skeins [95g]

Tools/Notions:

- 4.5mm (US 7), 5.1mm (approx. US 8), and 5.7mm (approx. US 9) knitting needles or sizes necessary to achieve gauge
- ribbon, 1.3cm/0.51" wide and 100cm/39.37" long
- 5 shank buttons (21mm/0.83"), square shape
- cable needle

Finished measurements:

- bust 100cm/39.37" • center back neck-to-cuff 71cm/27.95" • length 60cm/23.62"

Gauge (10cm/4" square):

- pattern stitch (with 5.1mm needles): 18 sts and 23 rows
- garter stitch (with 5.1mm needles): 16 sts and 20 rows

Gauge may vary according to individual knitting style. Change needle size if necessary to achieve gauge. Alternatively, rework pattern with your own gauge measurements.

Knitting Tips

✳️Note: when using Savon, always use 2 strands held together.

Back & front body: Cast on with long-tail cast-on method. Work in k1p1 ribbing. Change needle size, then decrease and work in pattern stitch. Place marker for sleeve. For front pieces, work buttonbands together with the front, working buttonholes in right front band only.

Sleeve: Cast on with long-tail cast-on method. Work in k1p1 ribbing. Change needle size, then increase and work in pattern stitch. Bind off in pattern.

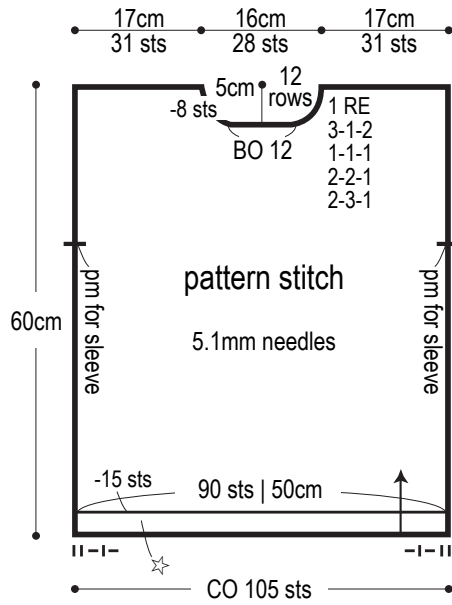
Fur collar: Cast on with long-tail cast-on method. Work in garter stitch. Bind off in pattern. Attach ribbon.

Finishing: Seam shoulders with crochet slip stitch seam. Seam sleeves to body with stitches-to-rows mattress stitch. Seam sides and sleeve undersides in one continuous seam (per side) using mattress stitch. Pick up stitches around neckline, then work collar in k1p1 ribbing. Bind off in pattern. Fasten buttons to buttonband.

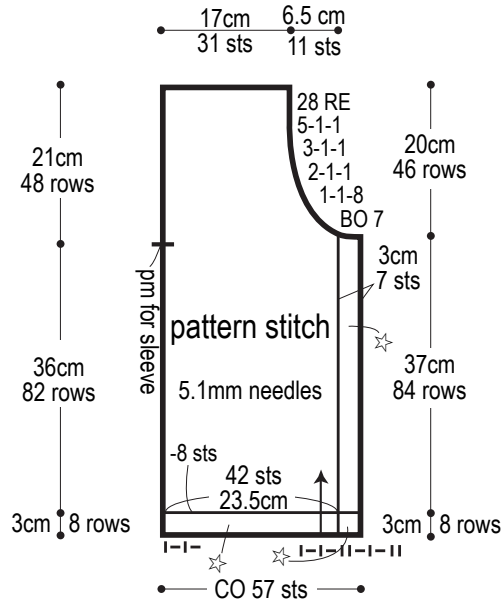
Abbreviations:

BO = bind off CO = cast on k = knit p = purl pm = place marker PU = pick up RE = row(s) even ### = rows-stitches-times

Back

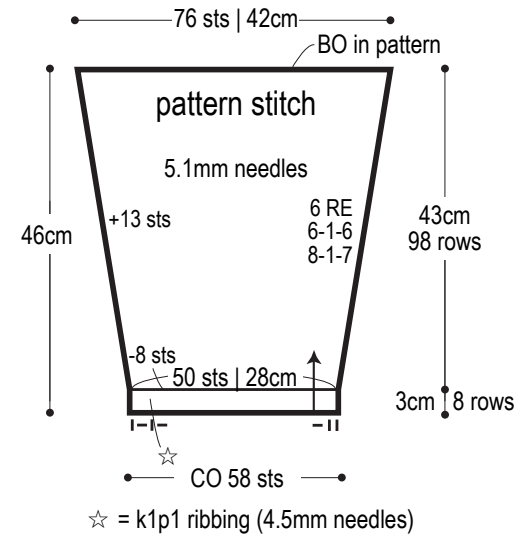


Right front



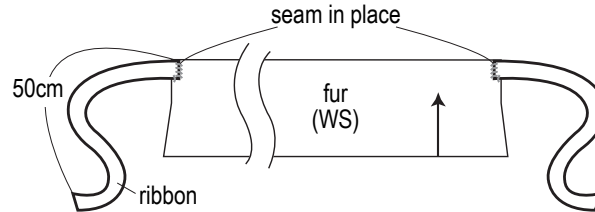
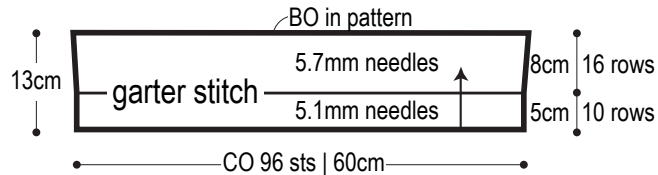
※Reverse shaping of right front for left front.

Sleeve

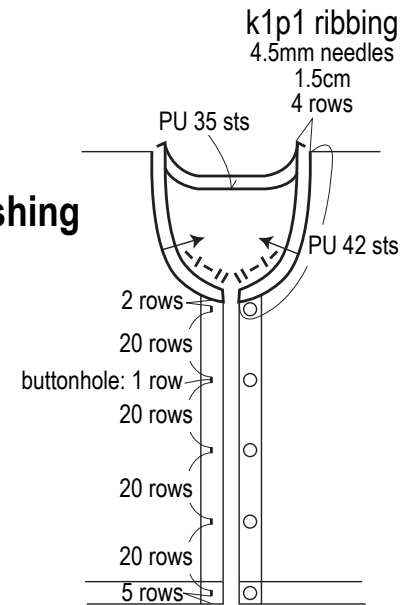


Fur collar

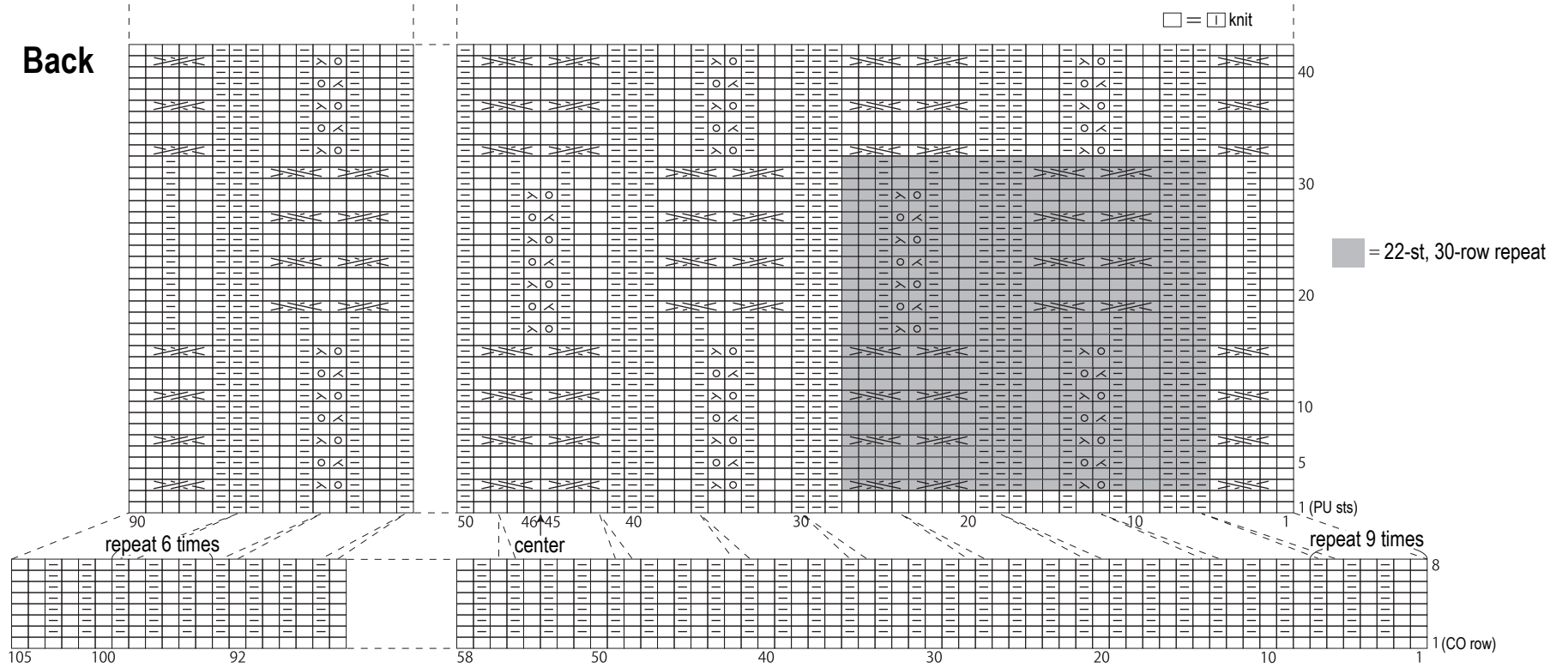
2 strands of Savon



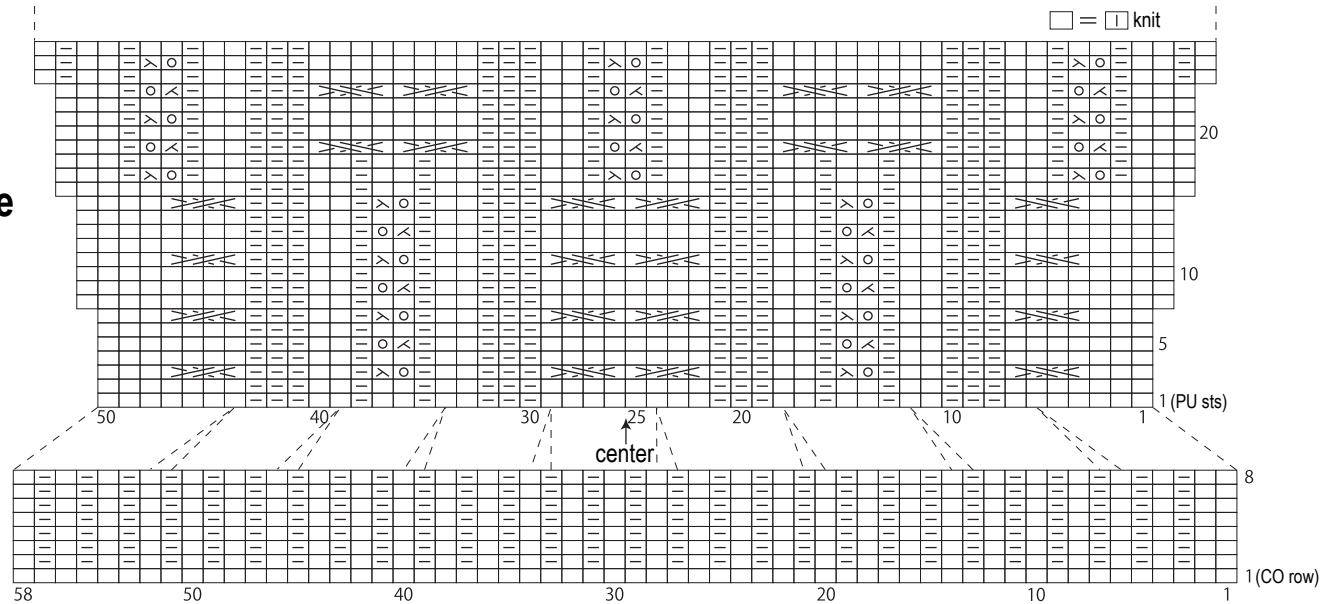
Finishing



Back

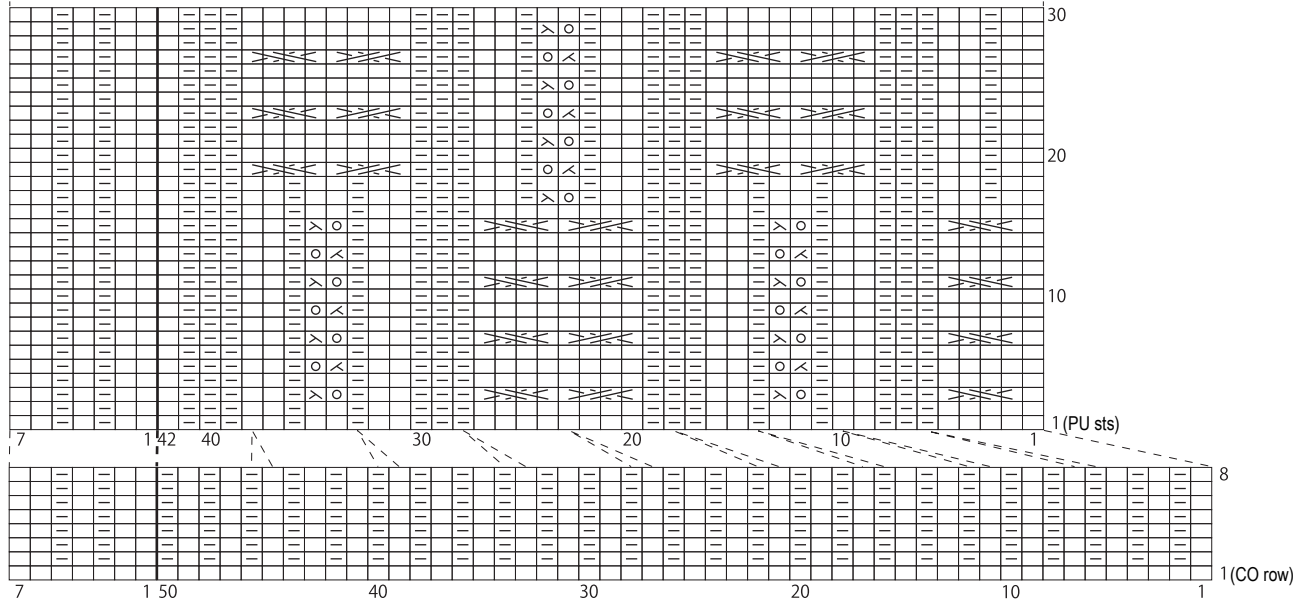


Sleeve



Left front

□ = □ knit



Right front

□ = □ knit

