

213fw-21 Chiffon Motif Cowl



Suggested yarn:

- Pierrot Yarns Chiffon [100% baby alpaca; 117 yds/107m per 1.06 oz./30g skein];
 - color #55 aquamarine, 2 skeins [45g]
 - color #57 vermillion, 2 skeins [45g]
 - color #58 scarlet, 2 skeins [45g]
 - color #56 coconut beige, 2 skeins [60g]

Tools/Notions:

- 3.0mm (approx. US C or D) crochet hook or size necessary to achieve gauge

Finished measurements:

- width 22.5cm/8.86"
- circumference 135cm/53.20"

Gauge:

- Each motif should measure 7.5cm/2.95" across.

Gauge may vary according to individual crochet style. Change hook size if necessary to achieve gauge. Alternatively, rework pattern with your own gauge measurements.

Crochet Tips

Create magic ring to begin, then work motif according to chart and color scheme. Starting from the second motif, join motifs together on the last round as you go.

Abbreviations:

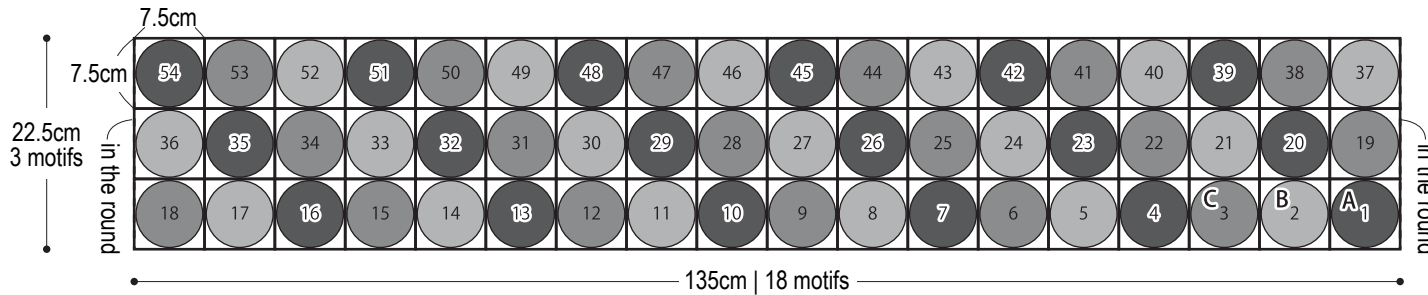
ch = chain

hdc = half double crochet (US)

m = magic ring

Cowl schematic

3.0mm hook

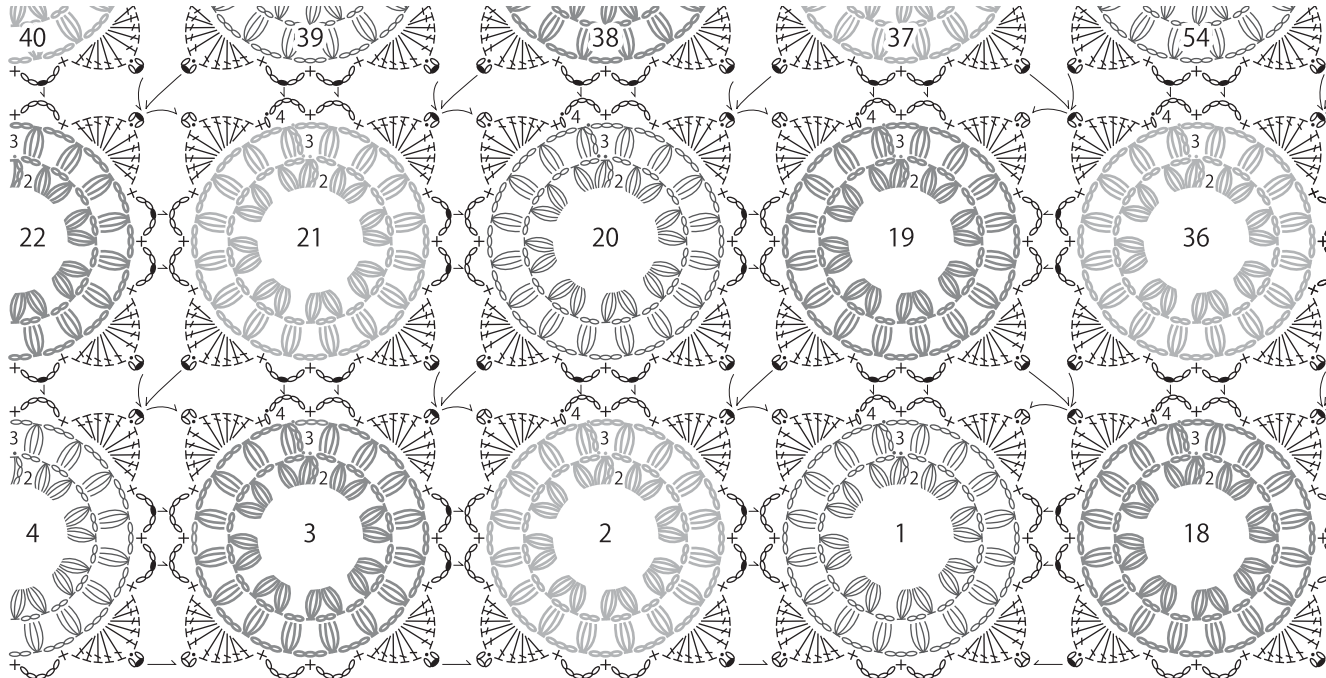


Color sequence

- = #56 coconut beige
- = #55 aquamarine
- = #57 vermillion
- = #58 scarlet

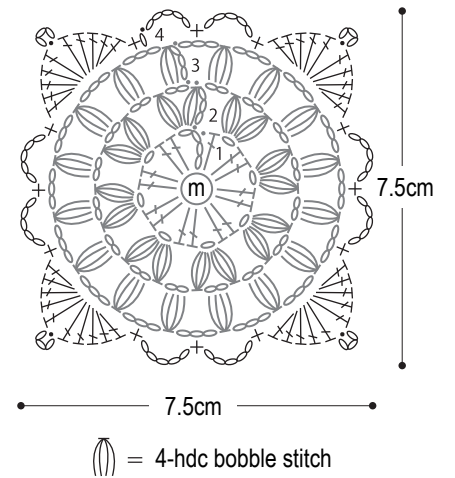
	A (make 18)	B (make 18)	C (make 18)
round 4	#56 coconut beige		
rounds 1-3	#55 aquamarine	#58 scarlet	#57 vermillion

Join-as-you-go seaming instructions



Motif

3.0mm hook



Finished item

