

213ss-39 Basket Bag



Suggested yarn:

- Pierrot Yarns Wild Life [100% hemp; 120 yds/110m per 3.53 oz./100g hank];
 - small bag: color #05 spring green, 3 hanks [280g]
 - large bag: color #18 navel orange, 4 hanks [370g]

Tools/Notions:

- 3.0mm (approx. US C or D) crochet hook or size necessary to achieve gauge
- teknorote (polypropylene memory wire)
- 2 buttons (25mm/0.98") per bag

Finished measurements:

- small: mouth of bag 68cm/26.77"; depth 11cm/4.33"
- large: mouth of bag 73cm/28.74"; depth 14.5cm/5.71"

Gauge (10cm/4" square):

- single crochet (US): 12 sts and 13.5 rows

Gauge may vary according to individual crochet style. Change hook size if necessary to achieve gauge. Alternatively, rework pattern with your own gauge measurements.

Crochet Tips

❖**Note:** Handles are worked with 1 strand of yarn. Rest of bag worked with 2 strands of yarn.

Body of bag: Work chain to begin bottom of bag. Work sc in the round, increasing as indicated. Continue to side, working first round in sc tbl and then continuing in sc.

Lid: Work chain to begin lid, then work sc along both sides of chain (forming an oval). Continue in pattern stitch. Join yarn to other side and work in pattern stitch. Work edging in the round, crocheting loop along the way.

Finishing: Work slip stitch into wrong side of body and edging of lid. Seam lid to body of bag with whipstitch as shown in schematic. Crochet handles and seam to basket. Sew buttons to basket.

Abbreviations:

ch = chain

dc = double crochet (US)

sc = single crochet (US)

sc tbl = single crochet (US) through back loop only

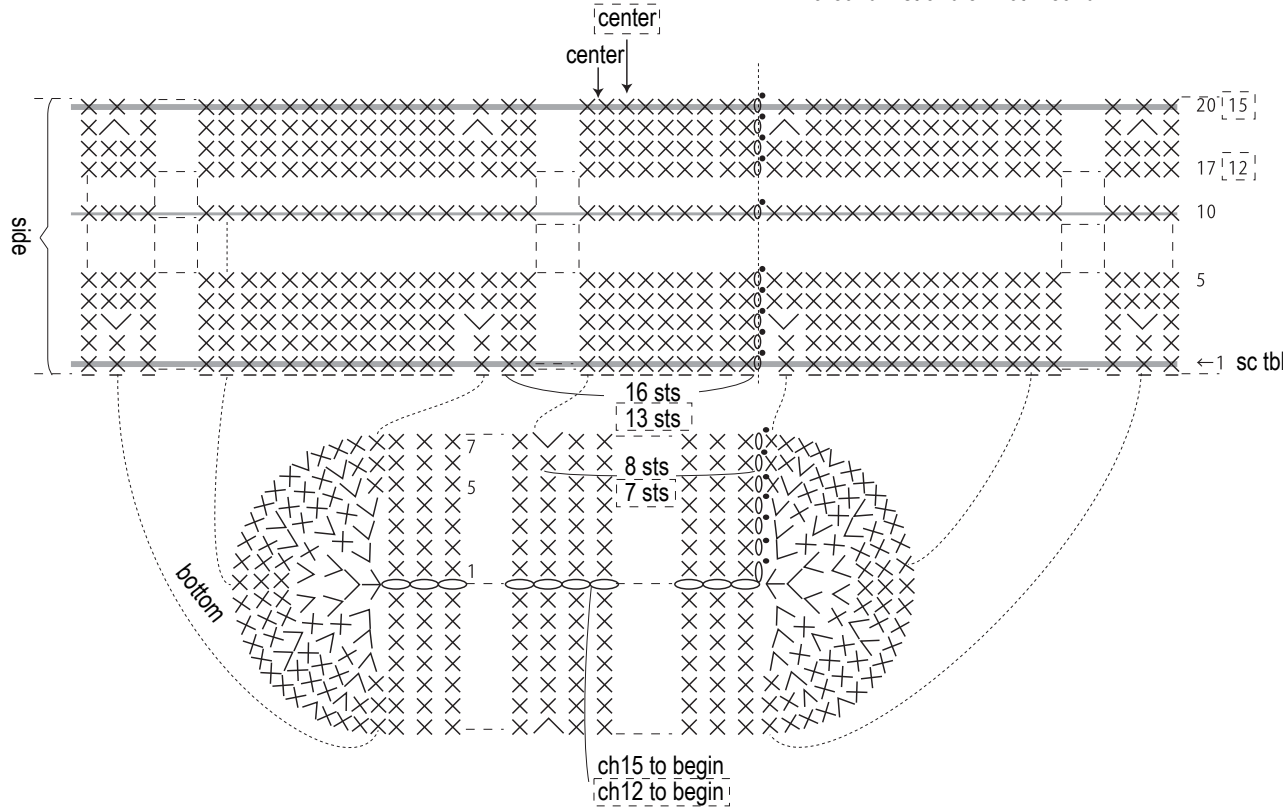
Body of bag

5.0mm hook

= small bag

= teknorote

Crochet stitches around 2 strands of teknorote on first and 15th, 20th round; around 1 strand on 10th round.



large

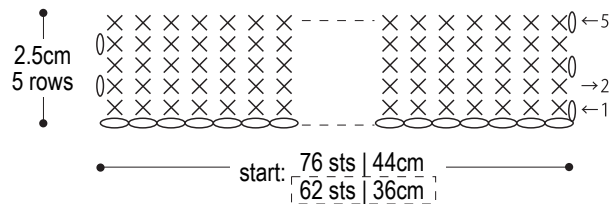
	round	stitch count
side	20	84 (work even)
	19	84 (-4)
	18	88
	~	~ } work even
	4	88
	3	88 (+4)
bottom	2	84 } work even (sc tbl)
	1	84
	7	84 (+6)
	6	78 (+8)
bottom	5	70 (+8)
	4	62 (+12)
	3	50 (+8)
	2	42 (+6)
	1	36

small

	round	stitch count
side	15	78 (work even)
	14	78 (-4)
	13	82
	~	~ } work even
	4	82
	3	82 (+4)
bottom	2	78 } work even (sc tbl)
	1	78
	7	78 (+6)
	6	72 (+8)
bottom	5	64 (+8)
	4	56 (+12)
	3	44 (+8)
	2	36 (+6)
	1	30

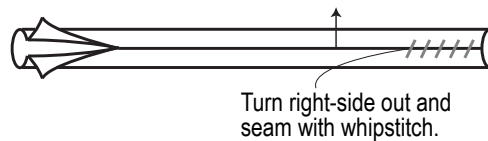
Handle (make 2)

1 strand; 3.0mm hook



Handle finishing (make 2)

1 strand of yarn



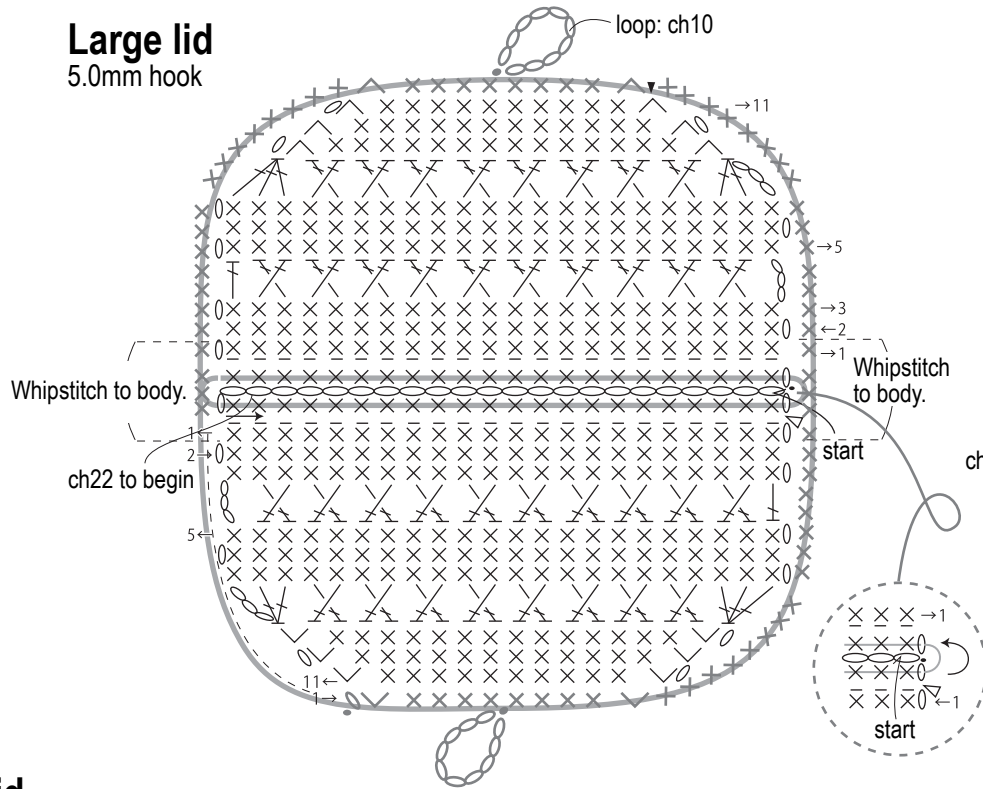
Use this QR code on your smartphone to view a video about how to work the edging of the bag.



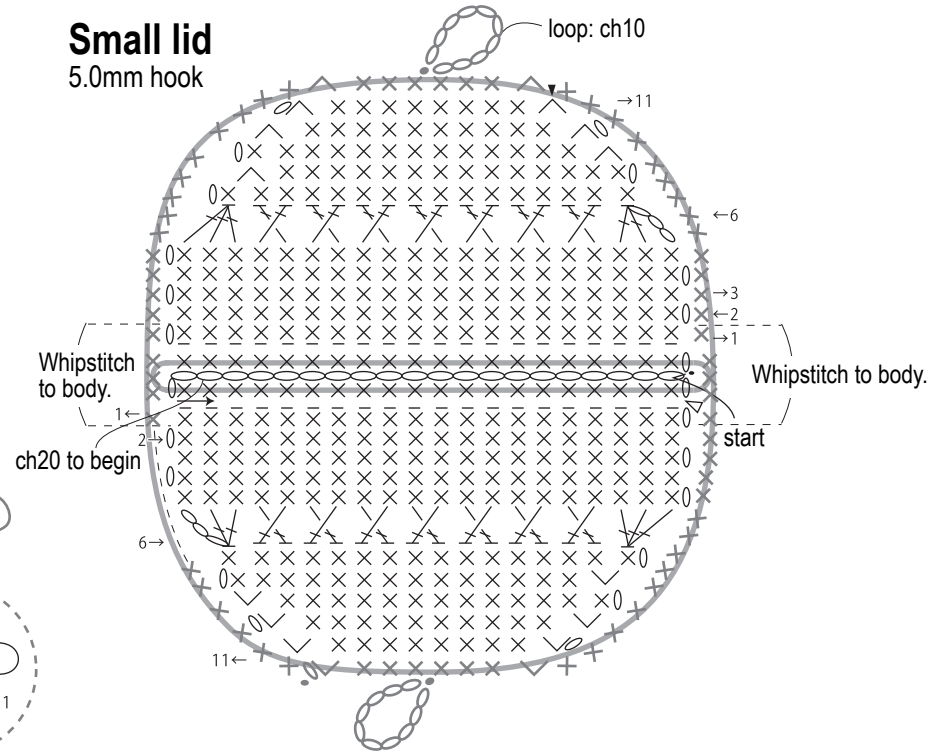
※To view on computer, search on the Pierrot Yarns website instead.

検索

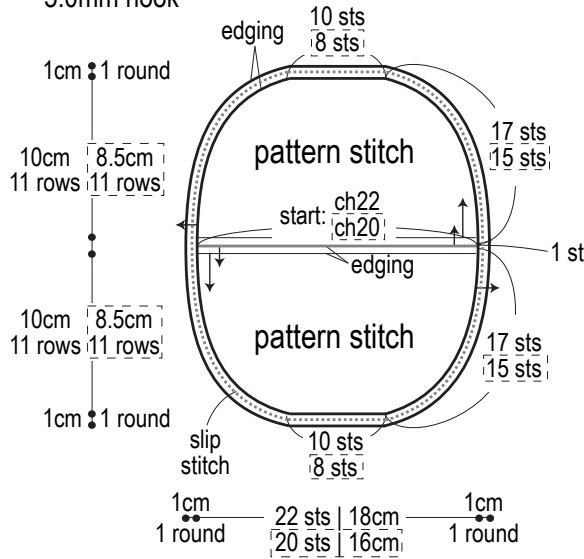
Large lid 5.0mm hook



Small lid 5.0mm hook



Lid 5.0mm hook



- ⊗ = sc tbl (to create "seam" line on wrong side)
- ⊗ = crossed dc
- = work sts around 2 strands of teknorote
- ⋯ = With 2 strands of yarn and 5.0mm hook, work slip stitch along last round of body and edging of lid.
- ◁ = join yarn
- ◄ = cut yarn

Finishing

