

213ss-17 Orgabits One Camisole



Suggested yarn:

- Pierrot Yarns Orgabits One [100% cotton (including 10% organic Orgabits cotton); 142 yds/130m per 1.41 oz./40g skein];
 - color #01 clear beige, 2 skeins [55g]
 - color #07 icy green, 4 skeins [140g]

Tools/Notions:

- 2.5mm (approx. US B or C), 3.0mm (approx. US C or D), and 3.5mm (US E) crochet hooks or sizes necessary to achieve gauge

Finished measurements:

- bust 90cm/35.43"
- length 53cm/20.87"

Gauge (10cm/4" square):

- pattern stitch A (3.5mm hook): 28 sts and 9.5 rows
- pattern stitch B: 32 sts and 13.5 rows

Gauge may vary according to individual crochet style. Change hook size if necessary to achieve gauge. Alternatively, rework pattern with your own gauge measurements.

Crochet Tips

Back & front body: Work chain to begin, then work in pattern stitch A. Change hook size when indicated (to alter gauge). Continue in sc, followed by pattern stitch B. (Pattern stitch A requires changing between colors 07 and 01 every two rows, while pattern stitch B requires color 07 only.)

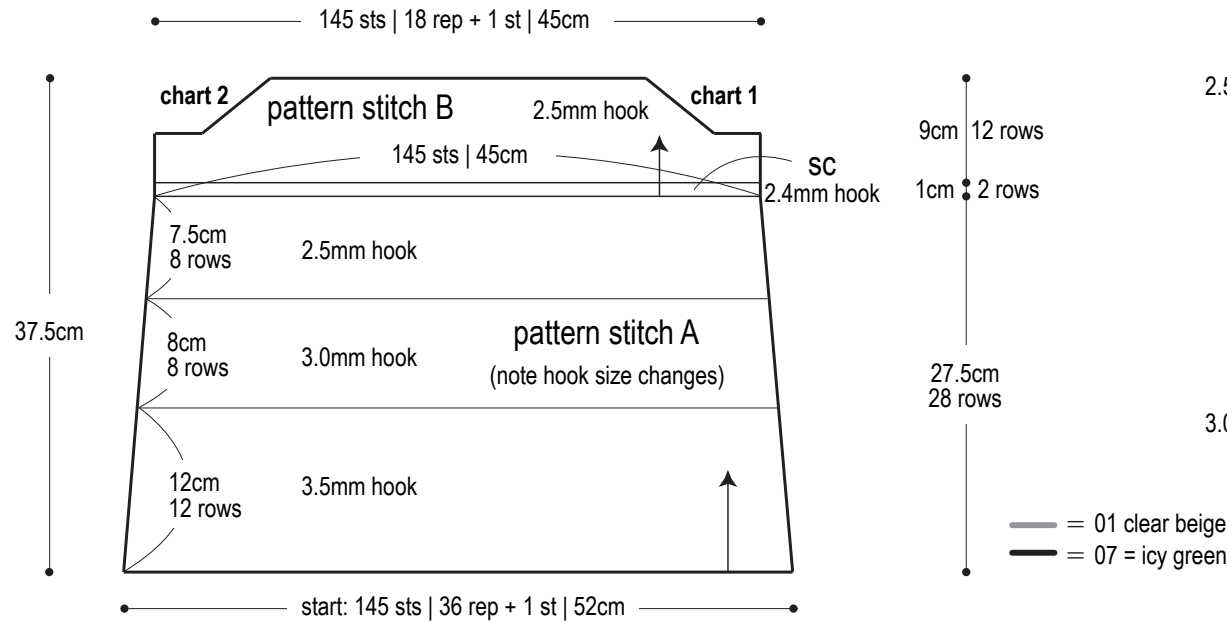
Finishing: Seam sides with chain seam (alternating chain st and slip st as needed to maintain pattern). Working stitches into last row of pattern stitch B, work edging in the round. Work edging in the round along hem as well. Crochet shoulder straps, then seam to body.

Abbreviations:

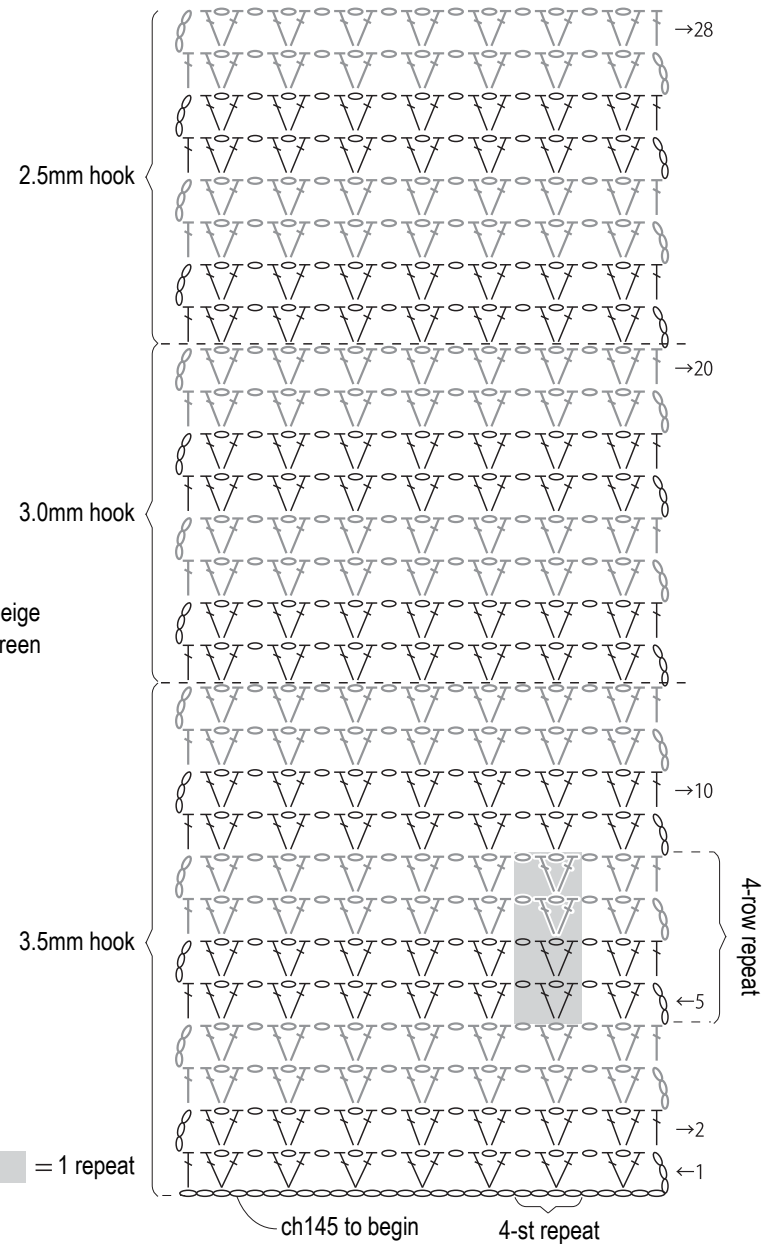
- ch = chain
- rep = pattern repeat(s)
- sc = single crochet (US)

Back & front

make 1 of each

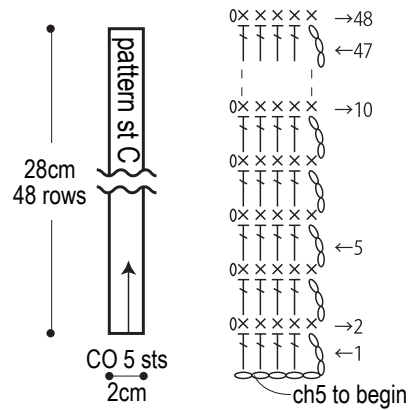


Pattern stitch A (note hook changes)



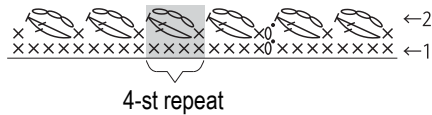
Shoulder strap (make 2)

2.5mm hook, #07 icy green

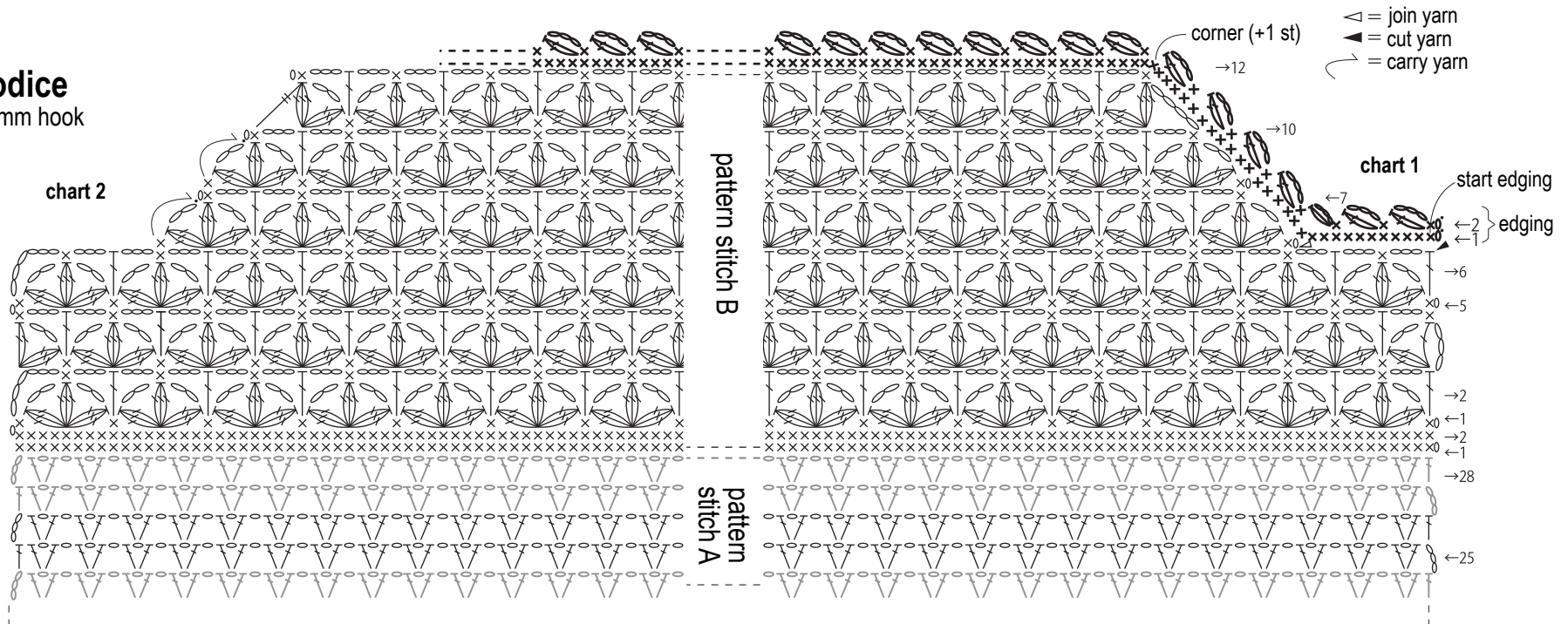


Edging

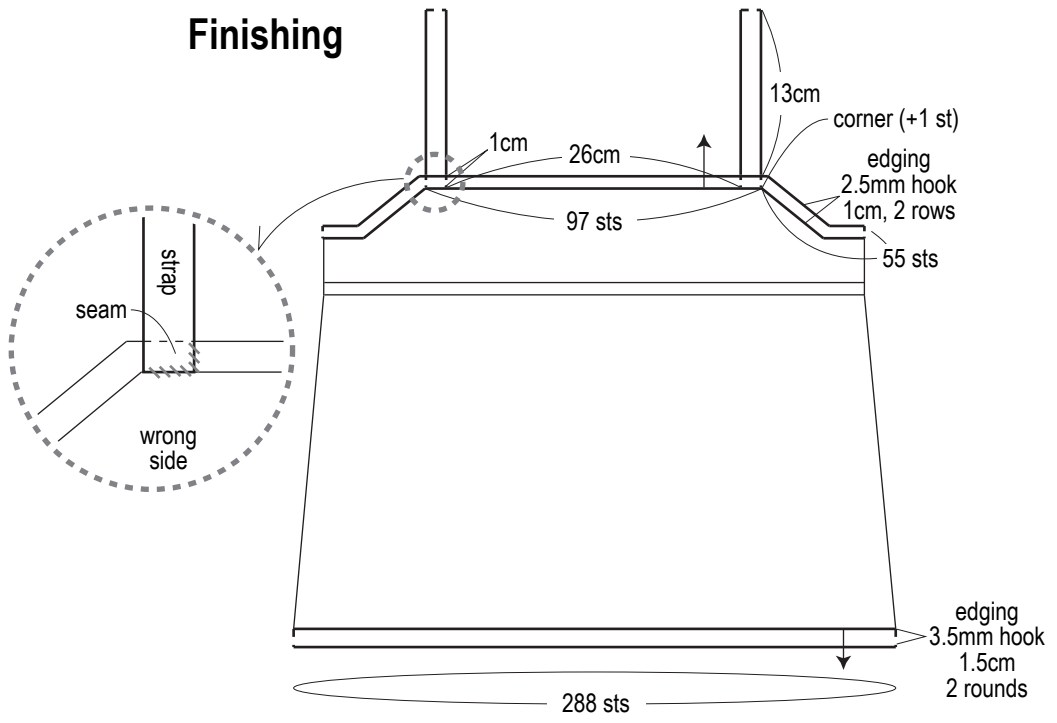
neckline & armholes: 2.5mm hook
hem: 3.5mm hook



Bodice
2.5mm hook



Finishing



Sc and pattern stitch B
2.5mm hook, #07 icy green

