

213ss-11 Giza 45 Summer Scarf



Suggested yarn:

- Pierrot Yarns Giza 45 Cotton [100% cotton; 109 yds/100m per 1.41 oz./40g skein]; color #04 teal green, 4 skeins [160g]

Tools/Notions:

- 3.0mm (approx. US C or D) crochet hook or size necessary to achieve gauge

Finished measurements:

- width 20cm/7.87"
- length 127cm/50.00"

Gauge (10cm/4" square):

- pattern stitch: 27 sts and 16 rows

Gauge may vary according to individual crochet style. Change hook size if necessary to achieve gauge. Alternatively, rework pattern with your own gauge measurements.

Crochet Tips

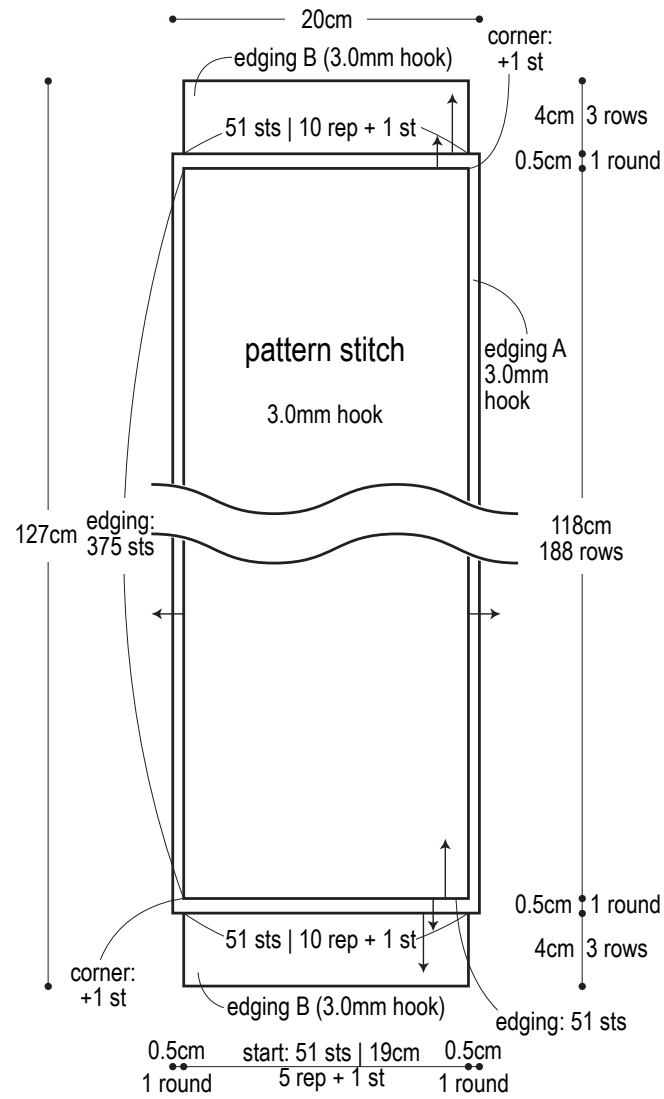
Body of scarf: Crochet chain to begin, then work in pattern stitch. Continue by working 1 round of edging A around entire outer edge of scarf. Work edging B along each of the two short ends.

Abbreviations:

ch = chain

rep = pattern repeat(s)

Scarf



Pattern stitch (3.0mm hook)

