

# 212-692bg Brillante Purse



## Suggested yarn:

- Oso Blanco Brillante [52% cotton, 28% nylon, 20% acrylic; 109 yds/100m per 1.76 oz./50g skein]; color #06 pearl lavender, 7 skeins [320g]

## Tools/Notions:

- 5.0mm (US H) crochet hook or size necessary to achieve gauge
- 1 pair acrylic purse handles (outer diameter 13cm/5.12")

## Finished measurements:

- Please refer to schematics.

## Gauge (10cm/4" square):

- single crochet (US): 15 sts and 16 rows
- pattern stitch: 18 sts and 14 rows

*Gauge may vary according to individual crochet style. Change hook size if necessary to achieve gauge. Alternatively, rework pattern with your own gauge measurements.*

## Crochet Tips

✿**Note:** Entire bag worked with 2 strands of yarn held together, including the stitches worked around handles.

**Body:** Crochet a chain to begin, then work in pattern stitch. Working into stitches of body, work 8 rows of sc for side. Referring to chart, work 10 rows at mouth section.

**Handles:** Using the same yarn, work sc around handles.

**Finishing:** Fold sides toward inside, then tack down to inside with whipstitch. Wrap mouth edges around handles, fold to inside, and tack down with whipstitch.

## Abbreviations:

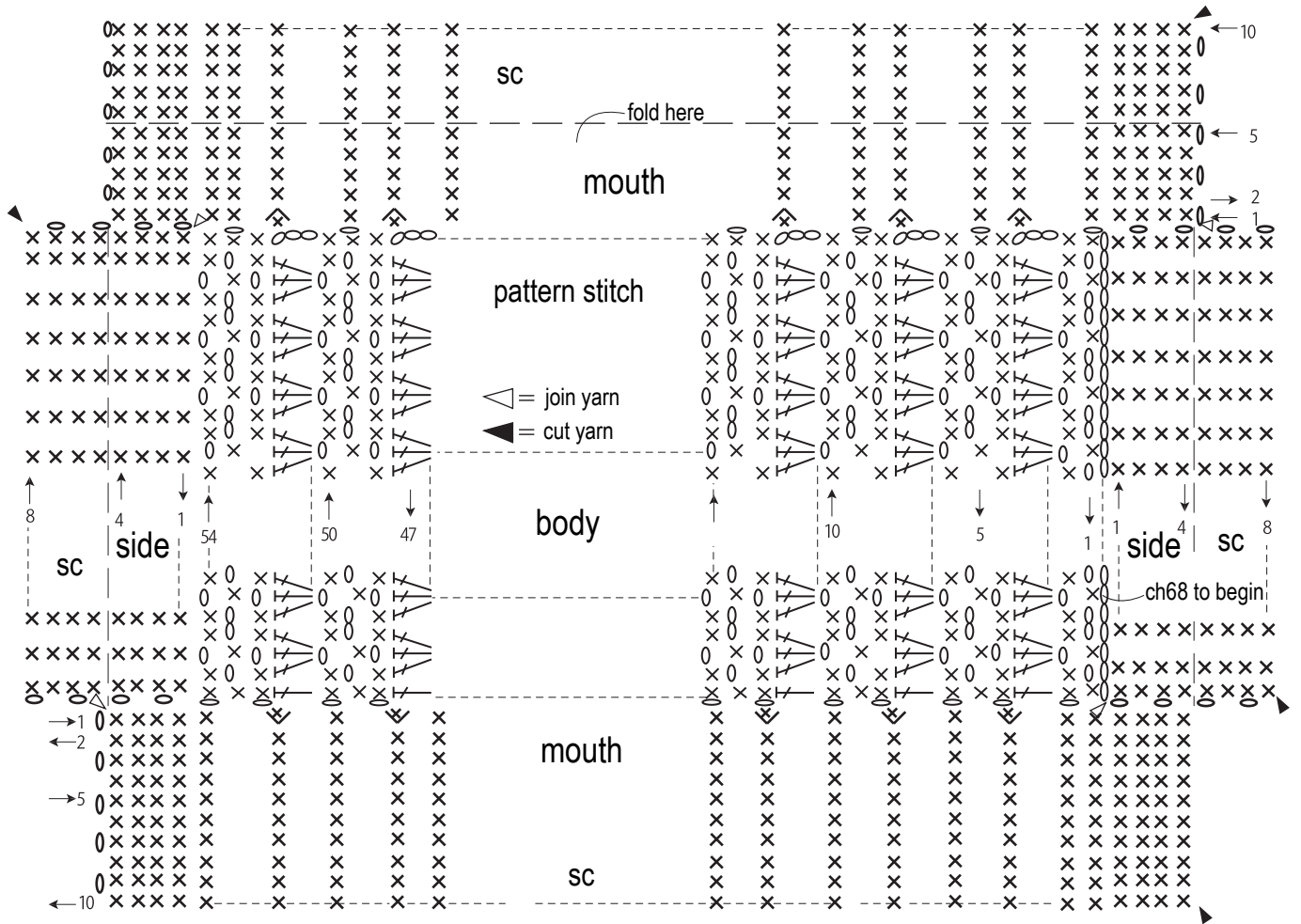
ch = chain

rep = pattern repeat(s)

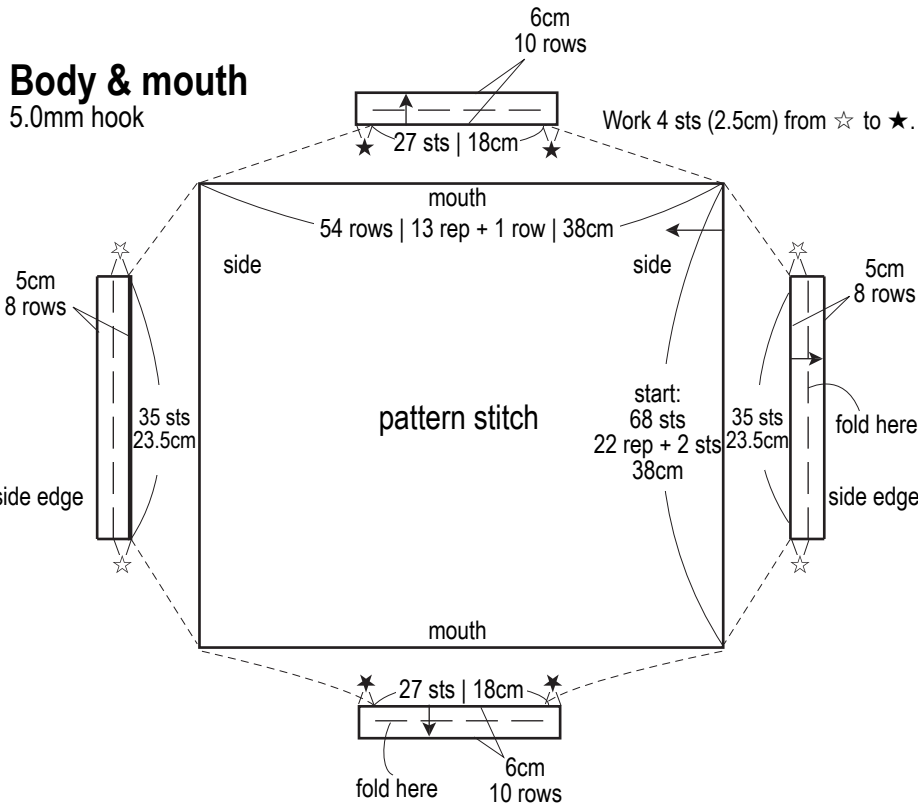
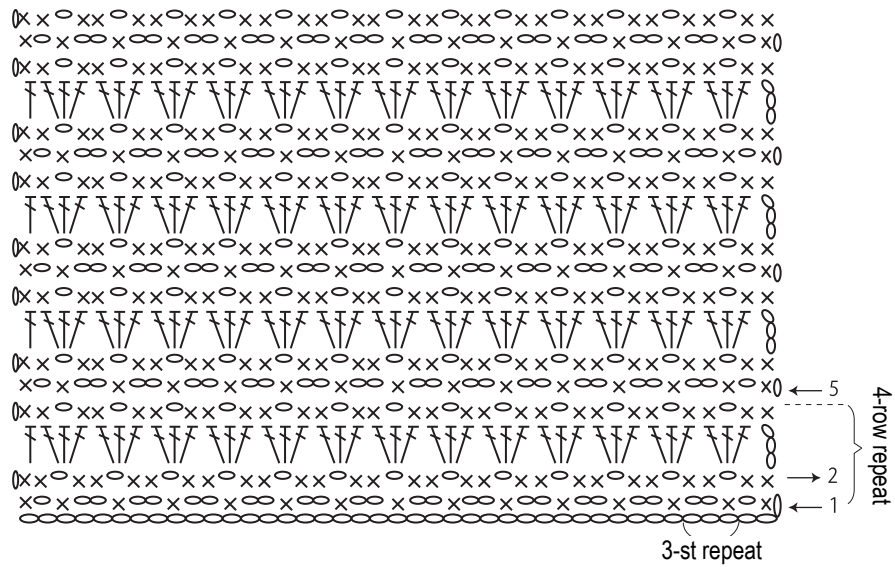
sc = single crochet (US)

# Bag instructions

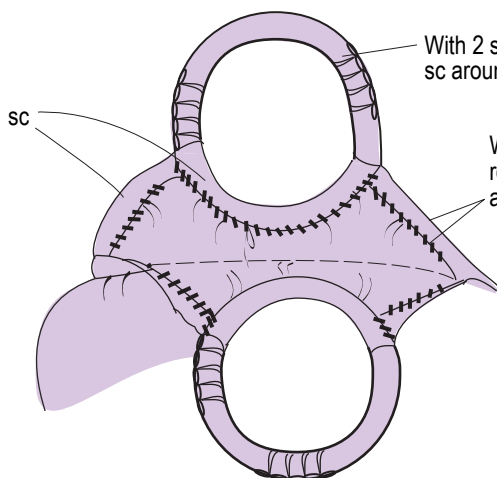
5.0mm hook



## Pattern stitch (5.0mm hook)



## Finishing



## Finished item

