

# Ande Donut Cute Vest



## Suggested yarn:

- Keito-Zakka Stores Ande Donut [70% acrylic, 30% wool; 185 yds/169m per 1.76 oz./50g skein]; color #106 raspberry, 5 skeins [240g]

## Tools/Notions:

- 2.5mm (approx. US B or C) crochet hook or size necessary to achieve gauge

## Finished measurements:

- bust 92cm/36.22"
- center back neck-to-cuff 25cm/9.84"
- length 58cm/22.83"

## Gauge (10cm/4" square):

- pattern stitch: 25 sts and 15 rows

*Gauge may vary according to individual crochet style. Change hook size if necessary to achieve gauge. Alternatively, rework pattern with your own gauge measurements.*

## Crochet Tips

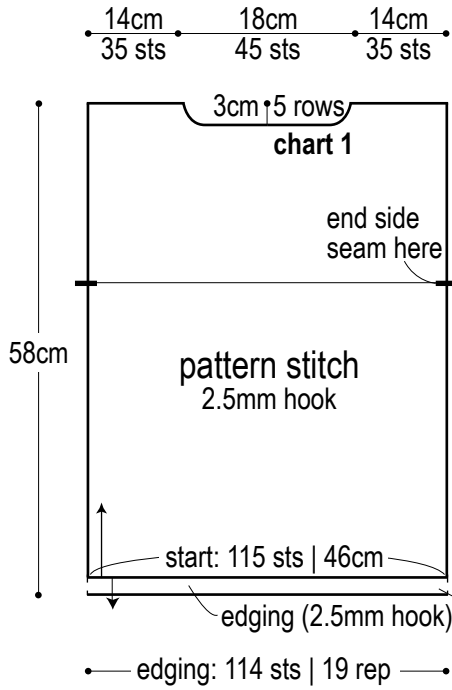
**Back & front body:** Create chain to begin, then work in pattern stitch.

**Finishing:** Seam shoulders with woven seam. Seam sides up until armholes with chain seam (alternating chain and slip stitches as needed to maintain pattern). Work edging around neckline, sleeve edges (cuffs), and hem.

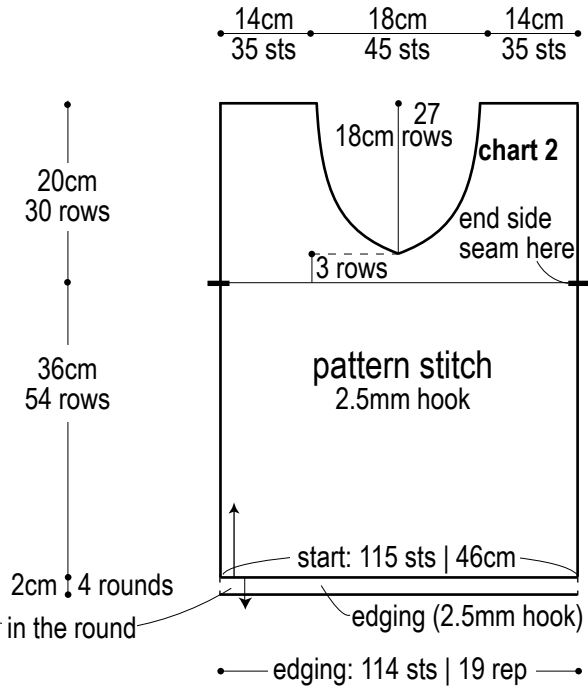
## Abbreviations:

ch = chain  
rep = repeat(s)  
sc = single crochet (US)

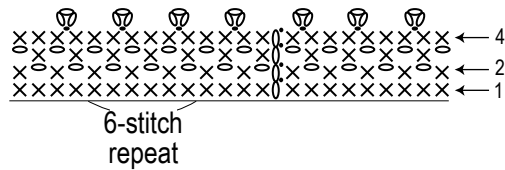
## Back



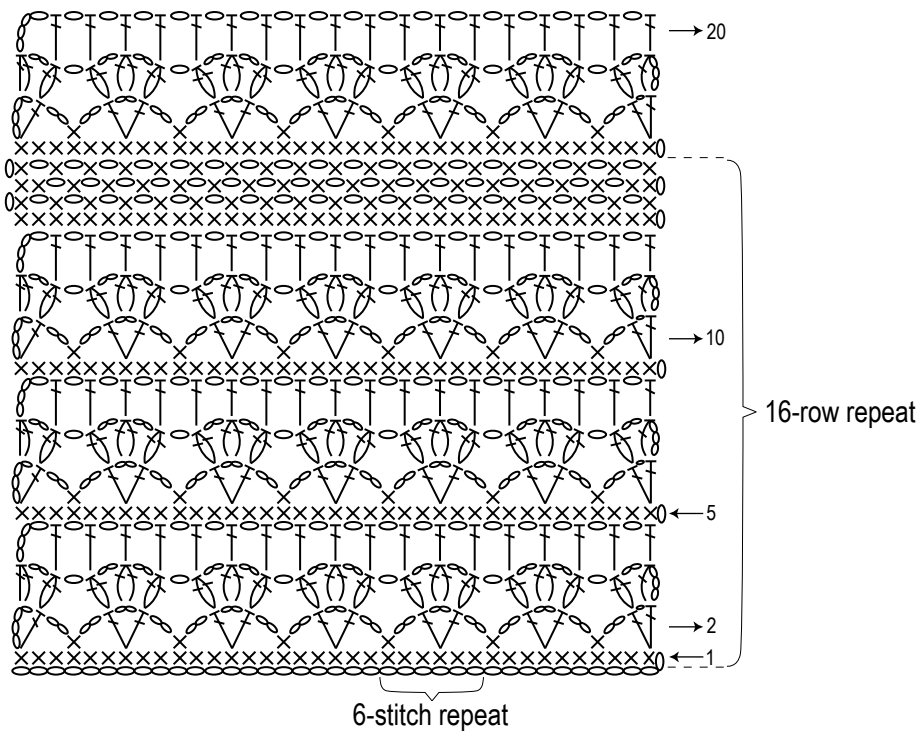
## Front



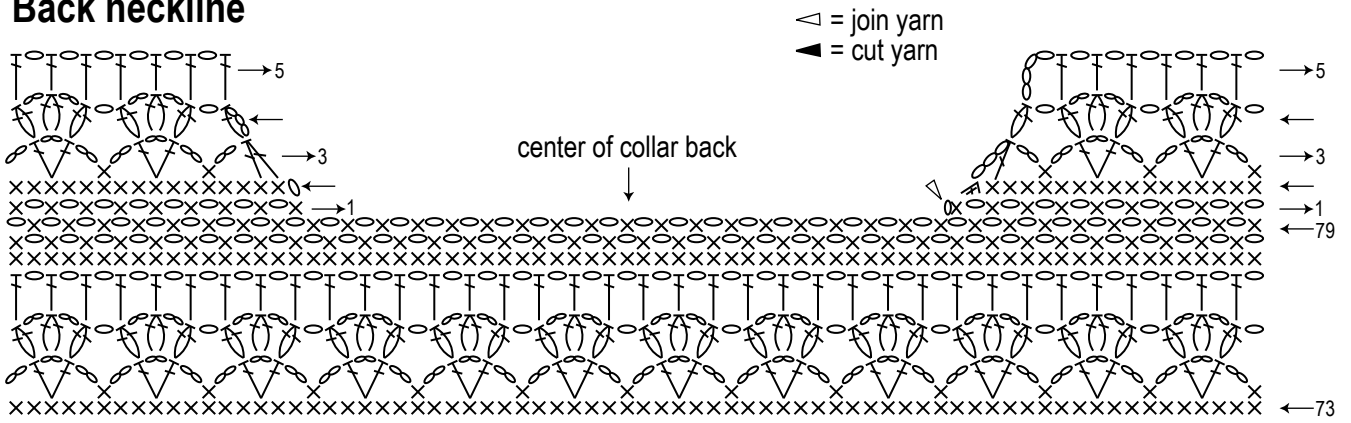
## Neckline, cuff, & hem edging (2.5mm hook)



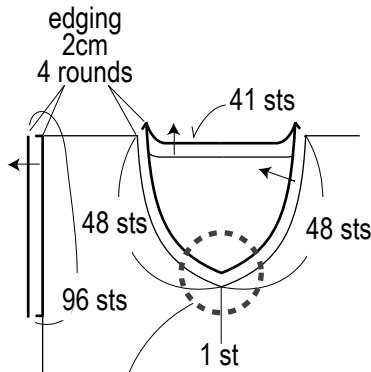
## Pattern stitch



# Back neckline



# Cuff, collar, & hem edging (2.5mm hook)



# Front neckline

