

212w-13 Vento Color Bag



Suggested yarn:

- Mondial Vento Color [43% wool, 37% acrylic, 20% rayon; 60 yds/55m per 1.76 oz./50g skein]; color #4 purple variegated, 4 skeins [200g]

Tools/Notions:

- 5.7mm (approx. US 9) knitting needles or size necessary to achieve gauge
- 5.0mm (US H) and 6.0mm (US J) crochet hooks or sizes necessary to achieve gauge
- 1 pair of purse handles (approx. 38cm/14.96" long)

Finished measurements:

- width 31cm/12.20"
- length 27cm/10.63"

Gauge (10cm/4" square):

- seed stitch (with 5.7mm needles): 14 sts and 26 rounds

Gauge may vary according to individual knitting style. Change needle size if necessary to achieve gauge. Alternatively, rework pattern with your own gauge measurements.

Knitting Tips

Bottom: Crochet with 6.0mm crochet hook. Work a chain to begin, then work in sc according to chart, increasing as indicated.

Sides: Knit with 5.7mm double-pointed knitting needles. Cast on with long-tail cast-on method, then work seed stitch in the round. With 5.0mm crochet hook, work 4 rounds of sc edging.

Finishing: Seam bottom to sides with sc using 5.0mm crochet hook. Seam handles to sides with whipstitch.

Abbreviations:

BO = bind off

ch = chain

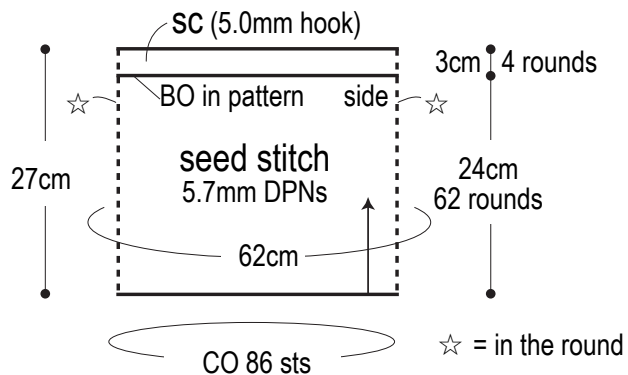
CO = cast on

DPNs = double-pointed needles

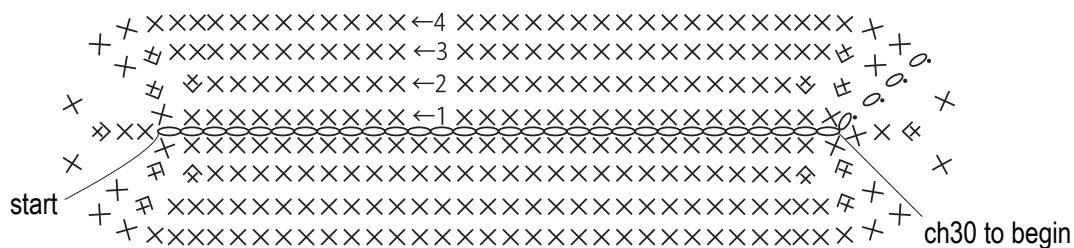
k = knit stitch

sc = single crochet (US)

Sides

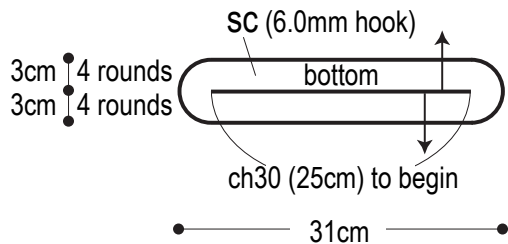


Bottom (6.0mm hook)

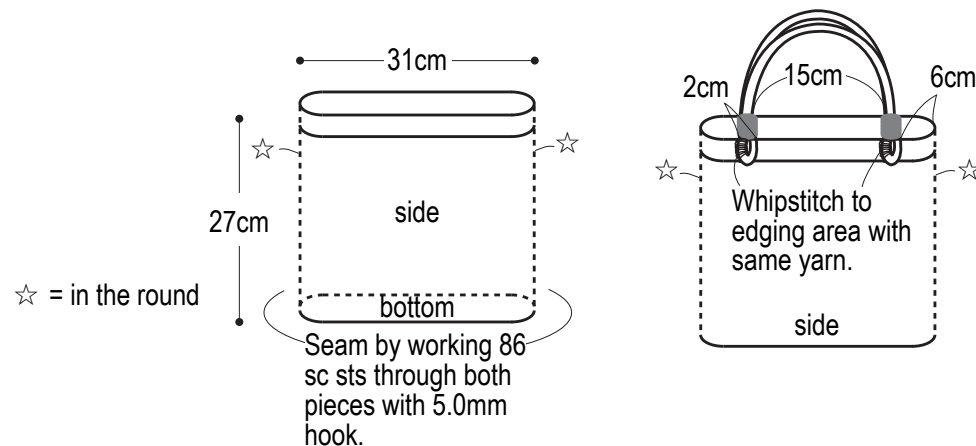


round no.	stitch count
4	76 (work sts)
3	76 (+6 sts)
2	70 (+8 sts)
1	62 ch30 to begin

Bottom



Finishing



Seed stitch (5.7mm DPNs)

