

211w-30 Outdoor Style Legwarmers



a

Suggested yarn:

- Pierrot Yarns Orange [100% wool; 175 yds/160m per 1.76 oz./50g skein];
 - men's size: color #05 green/blue/brown, 2 skeins [75g]
 - women's size: color #01 pink beige, 2 skeins [70g]
- Pierrot Yarns Fine Merino [100% merino wool; 103 yds/94m per 1.06 oz./30g skein];
 - men's size: color #205 deep navy, 3 skeins [80g]
 - women's size: color #215 light terracotta, 3 skeins [75g]



b

Tools/Notions:

- 4.5mm (US 7), 5.1mm (approx. US 8), 5.4mm (approx. US 9), and 5.7mm (approx. US 10) knitting needles or sizes necessary to achieve gauge

Finished measurements:

- men's size:
 - mouth (knee opening) 28cm/11.02"
 - length 38cm/14.96"
- women's size:
 - mouth (knee opening) 26cm/10.24"
 - length 38cm/14.96"

Gauge (10cm/4" square):

- stockinette stitch (with 5.4mm needles): 16 sts and 21 rows

Gauge may vary according to individual knitting style. Change needle size if necessary to achieve gauge. Alternatively, rework pattern with your own gauge measurements.

Knitting Tips

Men's size: Cast on with long-tail cast-on method. Work in k2p2 ribbing, then striped stockinette stitch, then k1p1 ribbing. Change needle size when indicated. Refer to charts for striped stockinette color sequences. Bind off with 1x1 tubular bind-off method.

✳️**Women's size:** Work as for men's size, but with 4 fewer stitches.

Finishing: Seam up the side with mattress stitch.

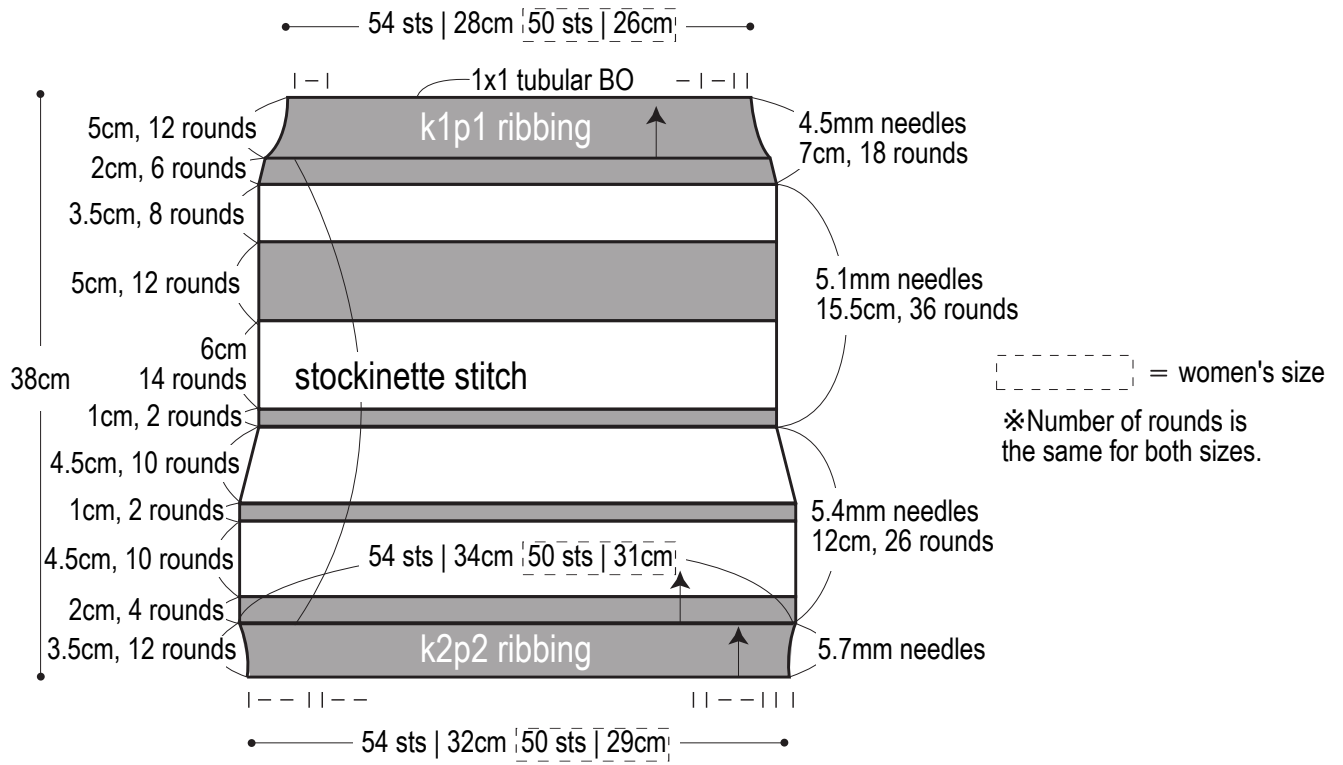
Abbreviations:

BO = bind off

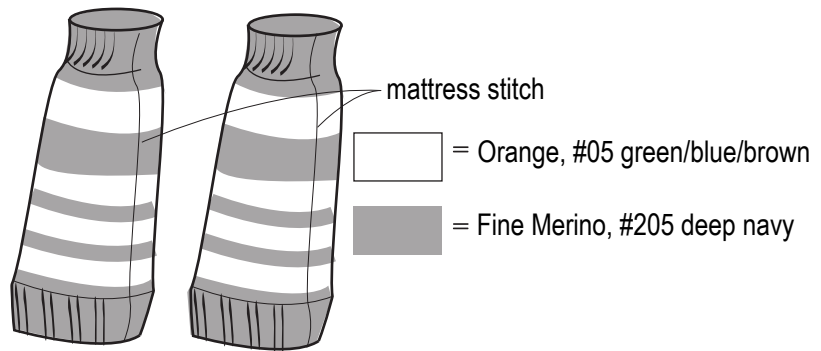
CO = cast on

R = row(s)

Men's legwarmer



Men's color sequence



Women's color sequence

