

211F-27 Plaid Necktie



Suggested yarn:

- Pierrot Yarns Soft Merino Fingering [100% merino wool; 183 yds/167m per 1.41 oz./40g skein];
 - color #11 sea green, 1 skein [15g]
 - color #06 pale red-brown, 1 skein [small amount]
 - color #09 grage, 1 skein [small amount]

Tools/Notions:

- 3.0mm (US 2½) knitting needles or size necessary to achieve gauge
- 2.3mm (approx. US B) crochet hook or size necessary to achieve gauge
- elastic (1cm/0.39" wide, 36cm/14.17" long)
- 1 Z-shaped hook clasp

Finished measurements:

- Please see schematic.

Gauge (10cm/4" square):

- pattern stitch & stockinette stitch: 26 sts and 36 rows

Gauge may vary according to individual knitting style. Change needle size if necessary to achieve gauge. Alternatively, rework pattern with your own gauge measurements.

Knitting Tips

Necktie: Cast on with long-tail cast-on method. Work part A in striped pattern stitch. Work part B in stockinette stitch. Work vertical stripes in part A by using a crochet hook to work (crochet) slip stitch up the columns of purl stitches.

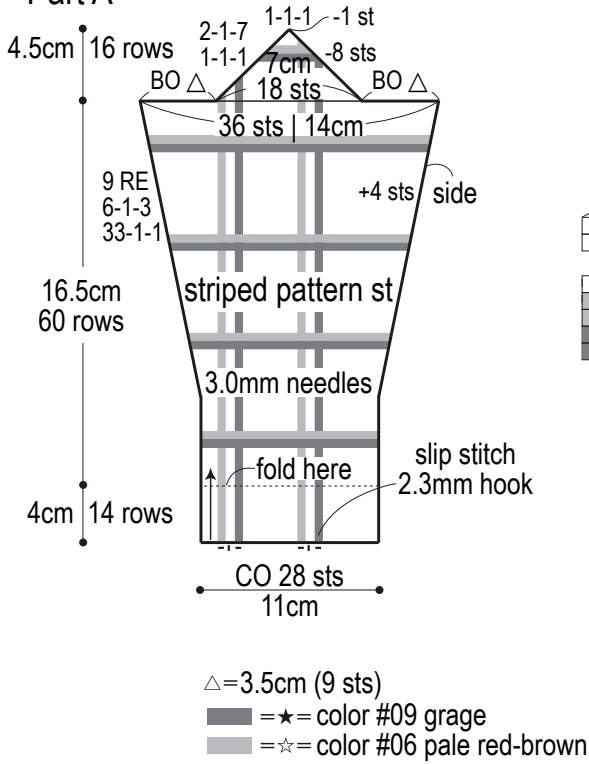
Finishing: Seam sides of part A and part B together with mattress stitch. Fold part A where shown, then place part B on top and seam in place. Work hem edging on part A in single crochet (US) in the round. Thread elastic through tie; fold and seam each end. Attach clasp on one end of elastic.

Abbreviations:

BO = bind off
CO = cast on
k = knit stitch
RE = row(s) even
sc = single crochet (US)
= rows-stitches-times

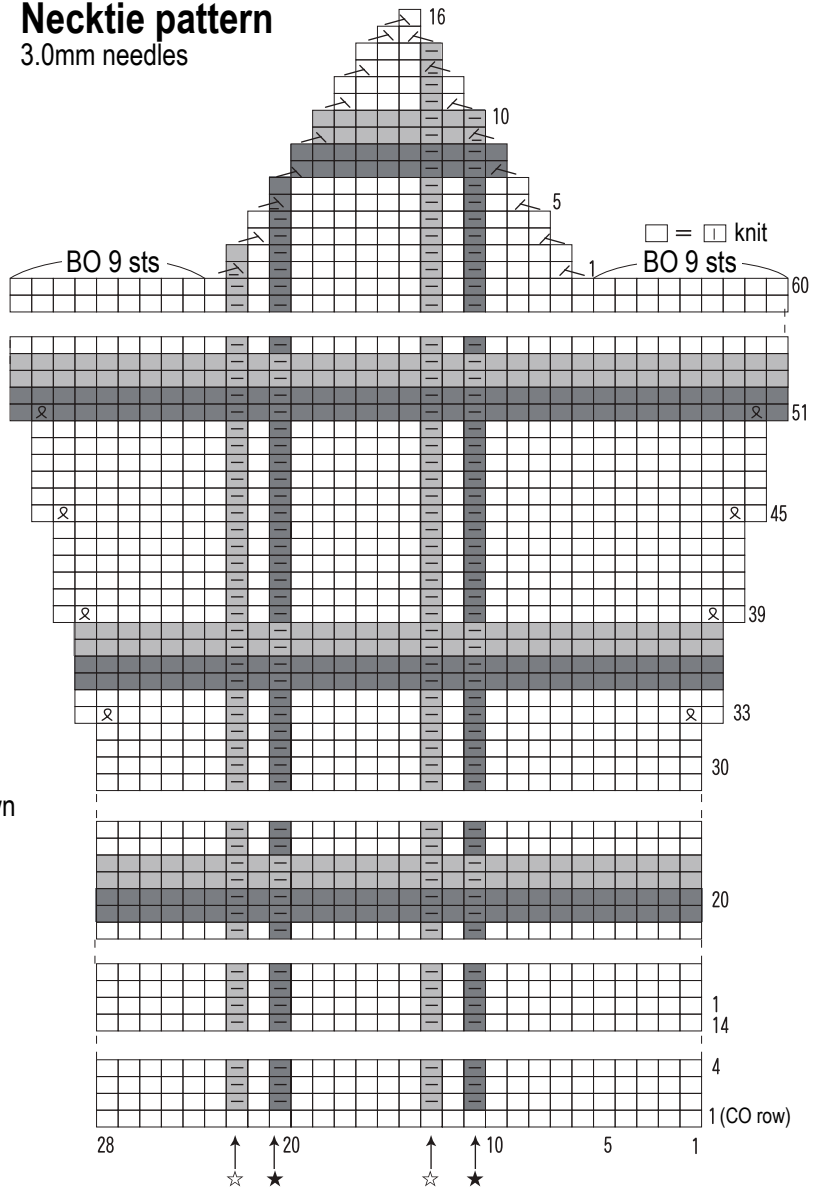
Necktie

Part A



Necktie pattern

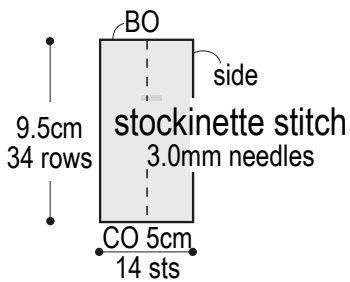
3.0mm needles



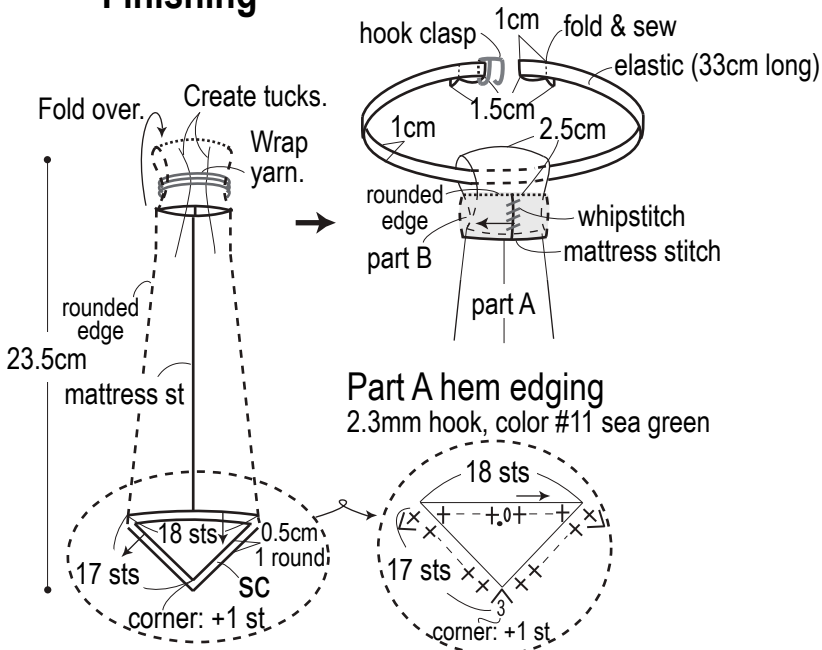
*Work vertical slip stitch stripes where marked with ★ and ☆.

Part B

color #11 sea green



Finishing



Slip stitch

2.3mm hook

