

# 212w-18 Cocoon Vest



## Suggested yarn:

- Filatura Botto Poala Cocoon [80% merino wool, 20% nylon; 137 yds/125m per 1.76 oz./50g skein]; color #11 apricot, 3 skeins [130g]

## Tools/Notions:

- 3.9mm (approx. US 6) and 4.5mm (US 7) straight knitting needles or sizes necessary to achieve gauge
- 3.9mm (approx. US 6) double-pointed knitting needles or size necessary to achieve gauge
- 5 buttons (18mm/0.71")

## Finished measurements:

- chest 74cm/29.13"
- cross back width 29.5cm/11.61"
- length 42cm/16.54"

## Gauge (10cm/4" square):

- stockinette stitch: 19 sts and 21 rows
- pattern stitch: 20 sts and 21 rows

*Gauge may vary according to individual knitting style. Change needle size if necessary to achieve gauge. Alternatively, rework pattern with your own gauge measurements.*

## Knitting Tips

**Back body:** Cast on with long-tail cast-on method. Work in k2p2 ribbing, then continue in stockinette stitch, changing needle size when indicated. Shape armscye and neckline by binding off stitches where indicated and by working decreases at ends of rows.

**Front body:** Start as for back, but also work pattern stitch panel at front center.

**Finishing:** Seam sides with mattress stitch. Seam shoulders with crochet slip stitch. Pick up stitches around neckline and work collar in k2p2 ribbing. Pick up stitches along front edges and work buttonbands in k2p2 ribbing, working buttonholes in left front band only. Bind off in pattern.

## Abbreviations:

BO = bind off

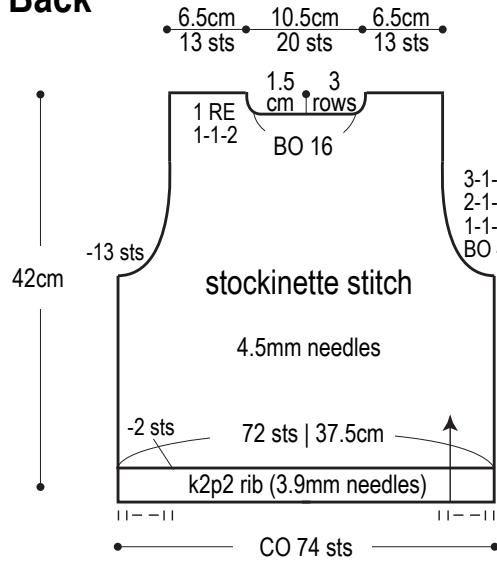
CO = cast on

PU = pick up

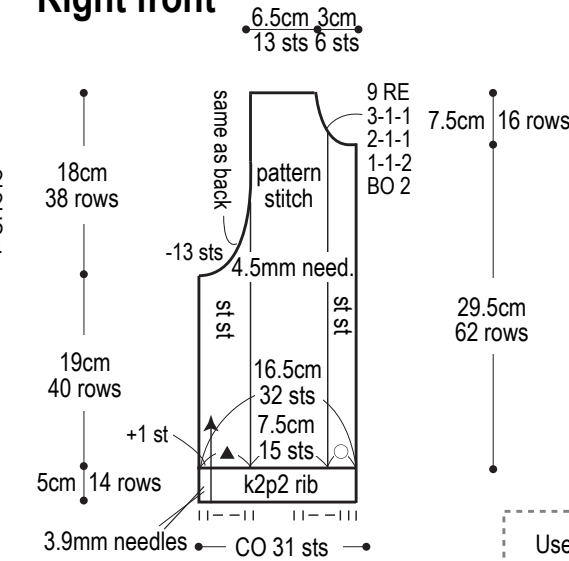
RE = row(s) even

#-#-# = rows-stitches-times

## Back

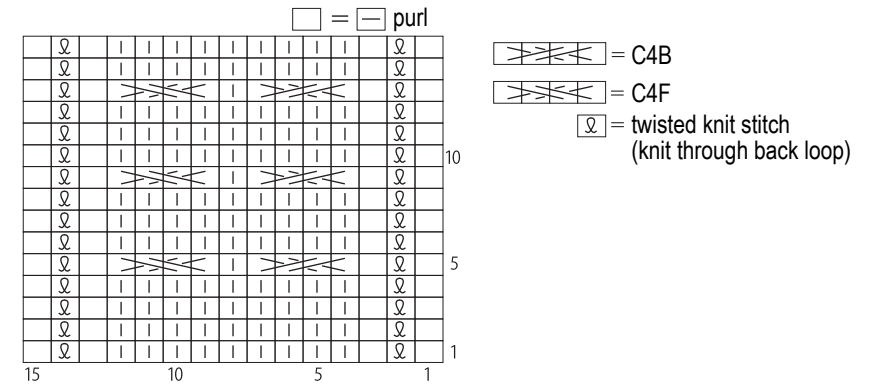


## Right front



▲ = 6.5cm, 12 sts  
○ = 2.5cm, 5 sts

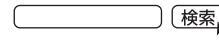
## Pattern stitch (4.5mm needles)



Use this QR code on your smartphone to view a video about how to work C4B.



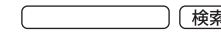
\*To view on computer, search on the Pierrot Yarns website.



Use this QR code on your smartphone to view a video about how to work C4F.



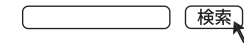
\*To view on computer, search on the Pierrot Yarns website.



Use this QR code on your smartphone to view a video about how to work twisted knit stitch.

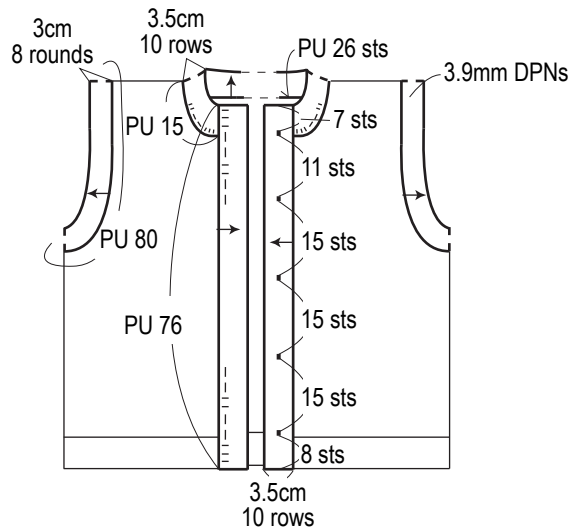


\*To view on computer, search on the Pierrot Yarns website.



## Collar, arm edging, & buttonband

k2p2 ribbing, 3.9mm needles



## Left front (k2p2 ribbing) & buttonholes (3.9mm needles)

