

# 212w-02 Cowichan Squirrel Vest



## Suggested yarn:

- Malabrigo Yarn Merino Worsted [100% merino wool; 210 yds/192m per 3.53 oz./100g hank];
  - color #63 natural, 1 hank [95g]
  - color #96 sunset, 1 hank [45g]
  - color #99 stone blue, 4 hanks [400g]
  - color #140 dark earth, 2 hanks [110g]

## Tools/Notions:

- 6.3mm (approx. US 10½) and 7.0mm (approx. US 11) straight knitting needles or sizes necessary to achieve gauge
- 6.3mm (approx. US 10½) double-pointed knitting needles or size necessary to achieve gauge
- 5 buttons (25mm/0.98")

## Finished measurements:

- bust 99cm/38.98"
- cross back width 43.5cm/17.13"
- length 60.5cm/23.82"

## Gauge (10cm/4" square):

- pattern stitch: 12 sts and 15 rows

*Gauge may vary according to individual knitting style. Change needle size if necessary to achieve gauge. Alternatively, rework pattern with your own gauge measurements.*

## Knitting Tips

※Entire garment worked with 2 strands of yarn held together.

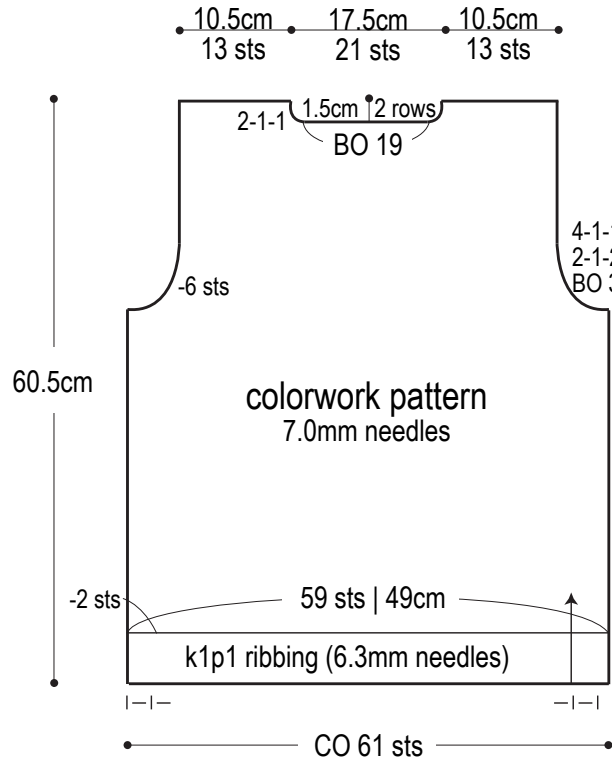
**Back & front body:** Cast on with long-tail cast-on method. Work in k1p1 ribbing and colorwork pattern. Work front bands in garter stitch at the same time you work the body. Work buttonholes in right front band. The colorwork pattern is done in Cowichan style.

**Finishing:** Seam shoulders with crochet slip stitch. Seam sides with mattress stitch. Pick up stitches along armhole and work edging in k1p1 ribbing in the round. Bind off in pattern. Pick up stitches around neckline. Work collar in k1p1 ribbing, changing needle size when indicated. Bind off in pattern. Sew buttons to left band.

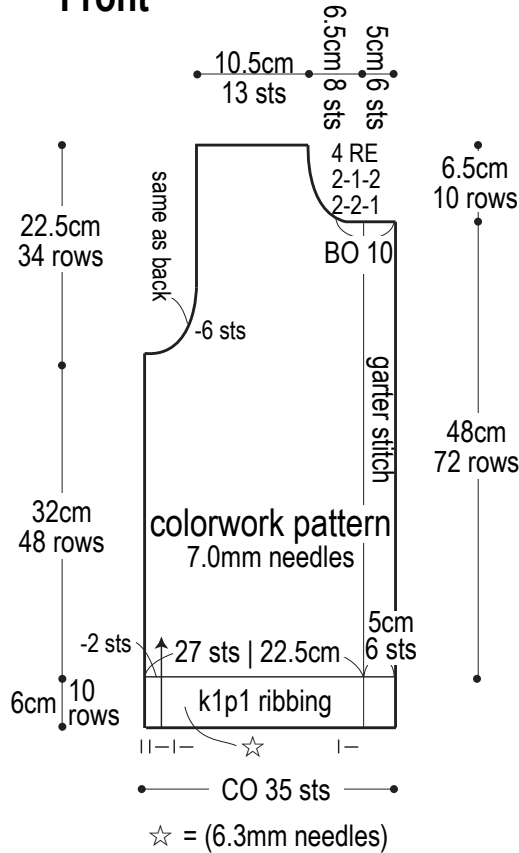
## Abbreviations:

BO = bind off    CO = cast on    PU = pick up    RE = row(s) even    #-#-# = rows-stitches-times

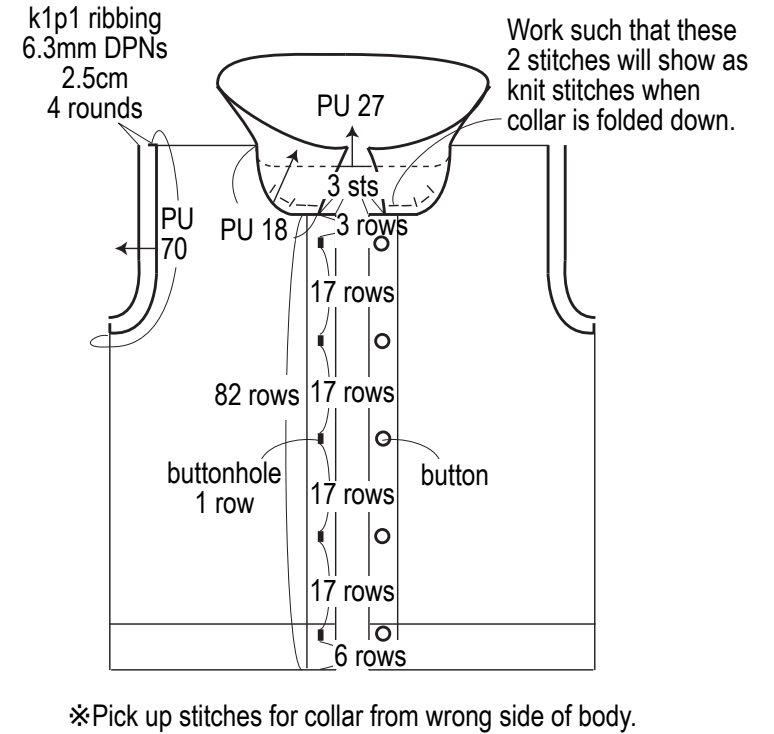
## Back



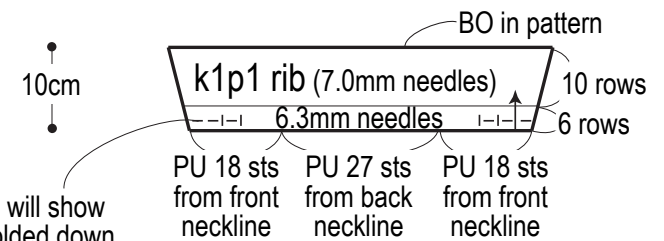
## Front



## Finishing

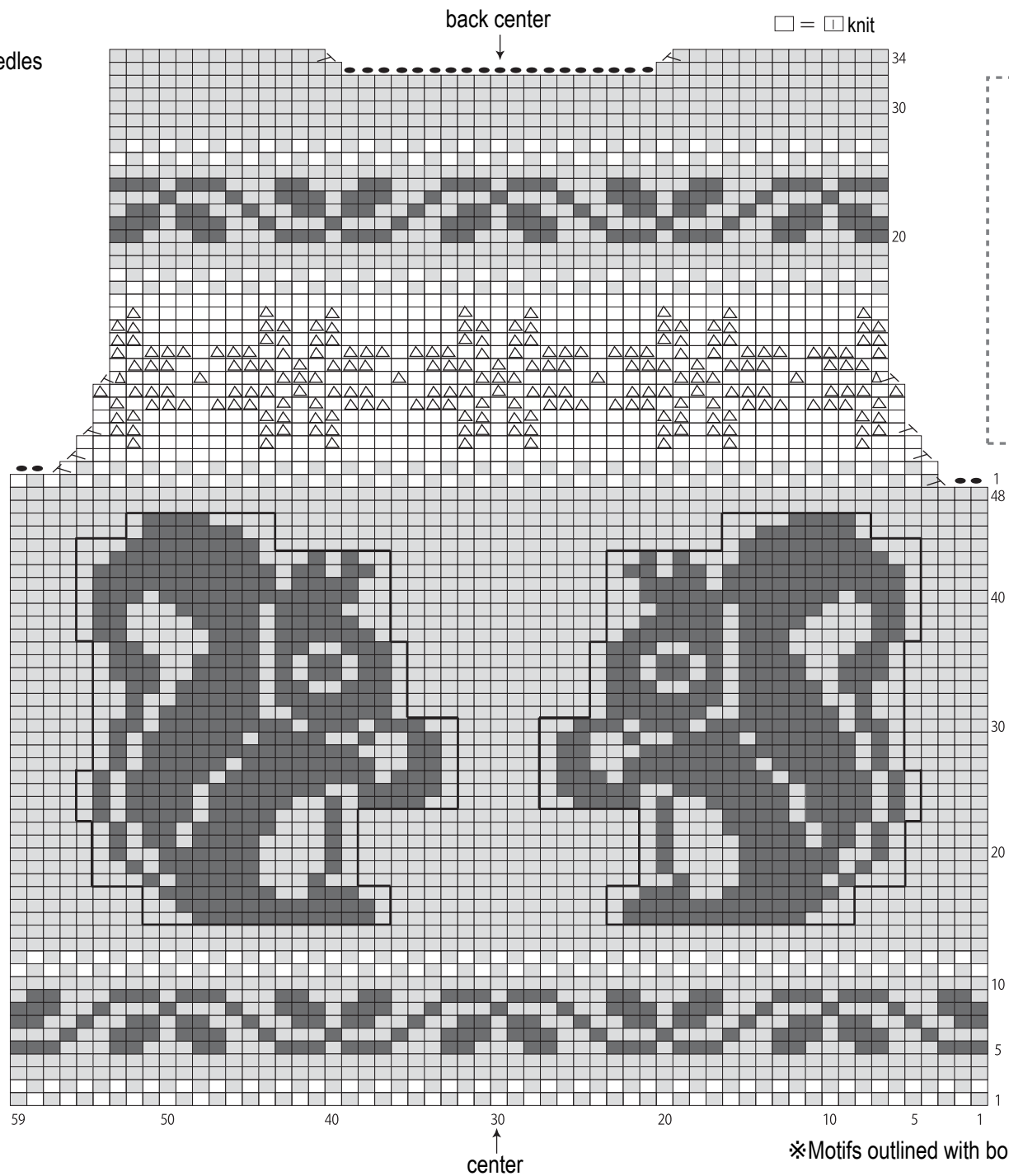


## Collar




# Back





7.0mm needles



Use this QR code on your smartphone to view a video about how to work the stranded knitting in the Cowichan design.



※To view on computer, search on the Pierrot Yarns website instead.

-  = #63 natural
-  = #96 sunset
-  = #99 stone blue
-  = #140 dark earth

※Motifs outlined with bold line are to be worked in Cowichan style.

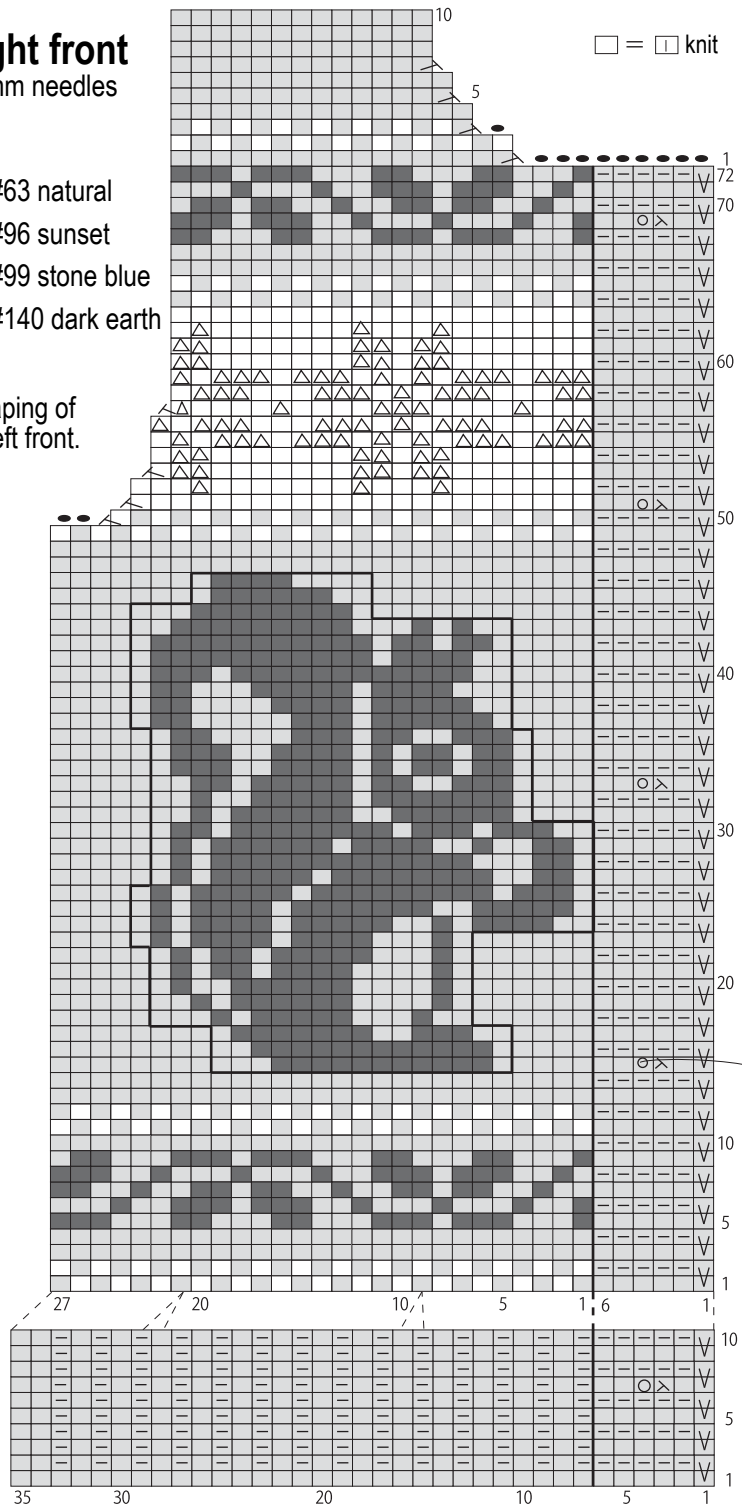
# Right front

7.0mm needles

□ = 1 knit

- = #63 natural
- △ = #96 sunset
- = #99 stone blue
- = #140 dark earth

※Reverse shaping of right front for left front.



buttonhole (1 st)