

211s-28 Cake Tawashi



Suggested yarn:

- Pierrot Yarns Yuttari Acrylic [100% antibacterial deodorant acrylic; 73 yds/67m per 1.41 oz./40g skein];
 - color #82 light cream, 1 skein [25g]
 - color #86 spring green, 1 skein [5g]
 - color #90 cocoa, 1 skein [25g]
- Pierrot Yarns Yuttari Acrylic Gradation [100% antibacterial deodorant acrylic; 73 yds/67m per 1.41 oz./40g skein]; color #103 yellow/orange/pink gradation, 1 skein [5g]

Tools/Notions:

- 4.0mm (US G) crochet hook or size necessary to achieve gauge
- 1 piece of urethane foam (such as a sponge), 2cm/0.79" thick

Finished measurements:

- Please see schematics.

Gauge (10cm/4" square):

- pattern stitch: 16 sts and 18 rows

Gauge may vary according to individual crochet style. Change hook size if necessary to achieve gauge. Alternatively, rework pattern with your own gauge measurements.

Crochet Tips

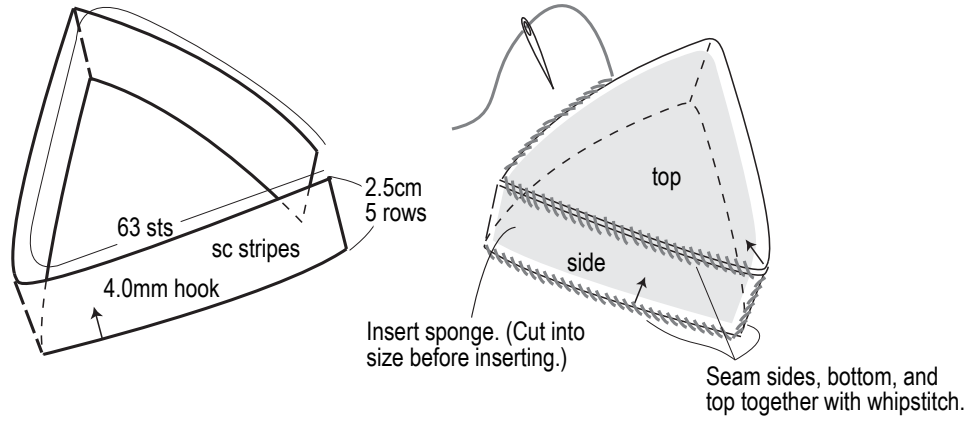
Top, bottom, & sides: Starting with one chain stitch, crochet each piece, increasing as indicated. To make one cake in each color, you will need to make 2 of every piece in the appropriate colors. Crochet side piece in sc stripes, referring to chart.

Finishing: Seam side piece with whipstitch. Seam side to bottom with whipstitch. Cut urethane sponge into large pieces and insert into each cake. Align top to side & bottom; seam together with whipstitch. ch12 to form loop; fasten to cake. Crochet decorative pieces and embroider cake as shown.

Abbreviations:

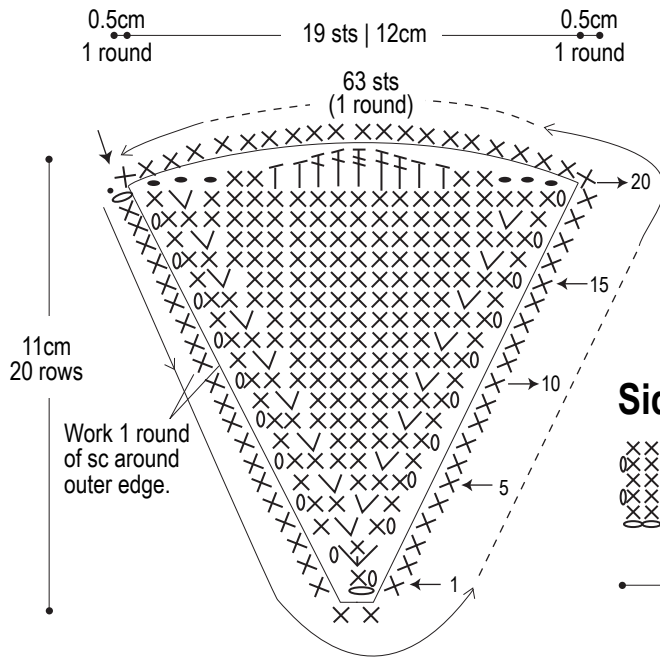
ch = chain
dc = double crochet (US)
m = magic ring
rep = repeat(s)
sc = single crochet (US)

Sides (make 1 per cake)



Top & bottom (make 2 per color per cake)

4.0mm hook

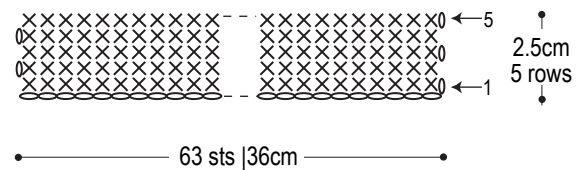


Side color sequences

row	version A	version B
5	color #81	color #90
4	color #81	color #86
3	★color #103	color #90
2	color #81	color #86
1	color #81	color #90

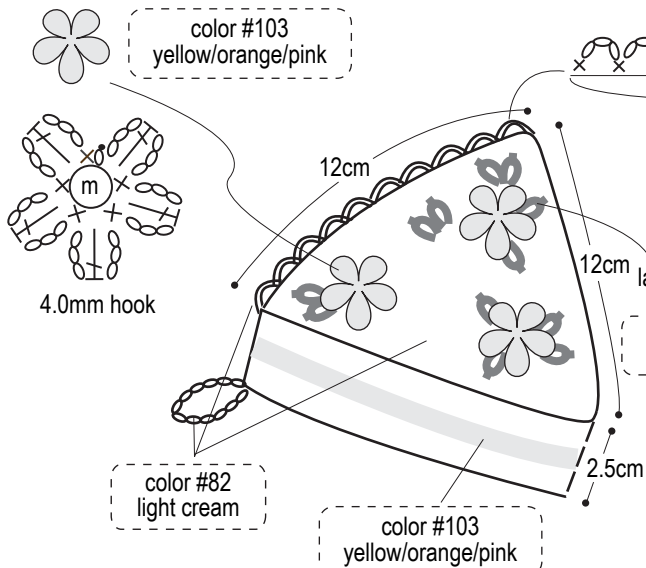
Only ★ is worked with Yuttari Acrylic Gradation.

Side instructions (4.0mm hook)

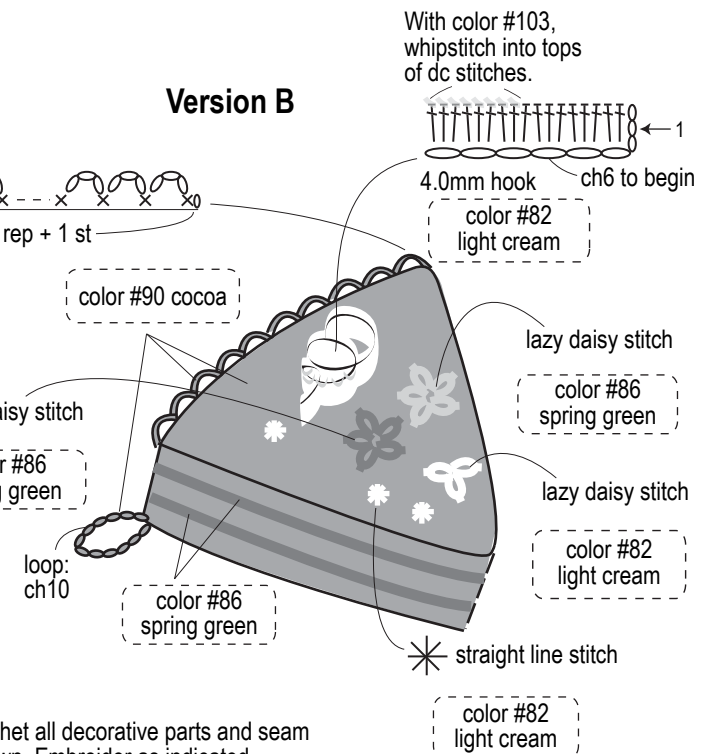


Finishing

Version A



Version B



*Crochet all decorative parts and seam as shown. Embroider as indicated.