

212fw-06 Carino Purse



Suggested yarn:

- Pierrot Yarns Carino [80% merino wool, 20% nylon; 120 yds/110m per 1.76 oz./50g skein]; color #51 brown, 3 skeins [110g]

Tools/Notions:

- 4.5mm (US 7) and 5.1mm (approx. US 8) knitting needles or sizes necessary to achieve gauge
- darning needle
- 1 pair bamboo purse handles (13cm/5.12" diameter)

Finished measurements:

- width 37cm/14.57"
- depth 20cm/7.87"

Gauge (10cm/4" square):

- pattern stitch: 19 sts and 23 rows

Gauge may vary according to individual knitting style. Change needle size if necessary to achieve gauge. Alternatively, rework pattern with your own gauge measurements.

Knitting Tips

Body: Cast on with long-tail cast-on method. Work in pattern stitch, forming a square piece of fabric. Bind off in pattern.

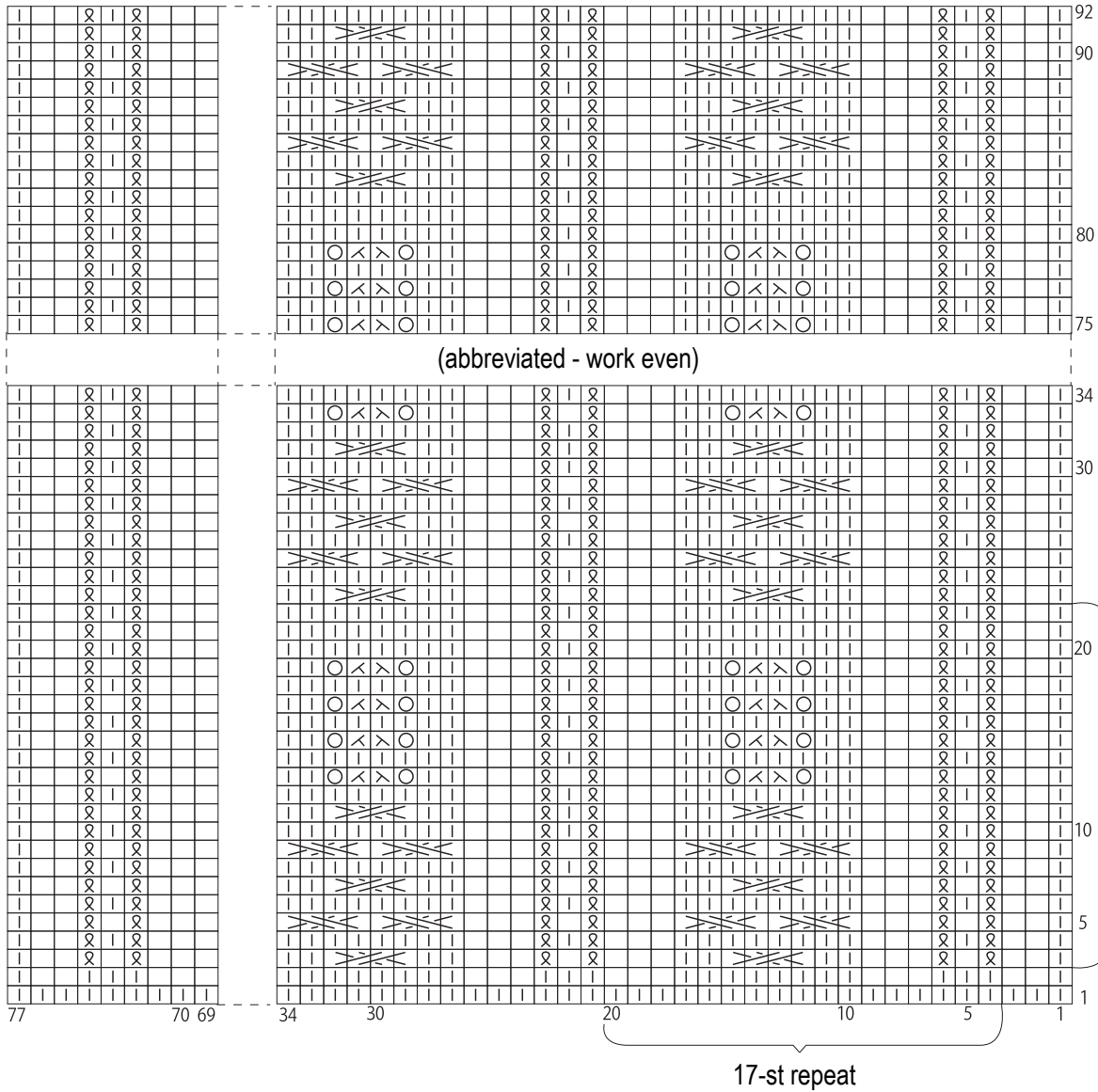
Finishing: Pick up stitches from sides and work in k1p1 ribbing. Bind off in pattern. Whipstitch the picked up stitches as indicated. Pick up stitches around mouth of bag. Work ribbing, then bind off in pattern. Wrap edging around handles; fasten in place by seaming the picked up stitches.

Abbreviations:

BO = bind off
CO = cast on
PU = pick up
rep = repeat(s)

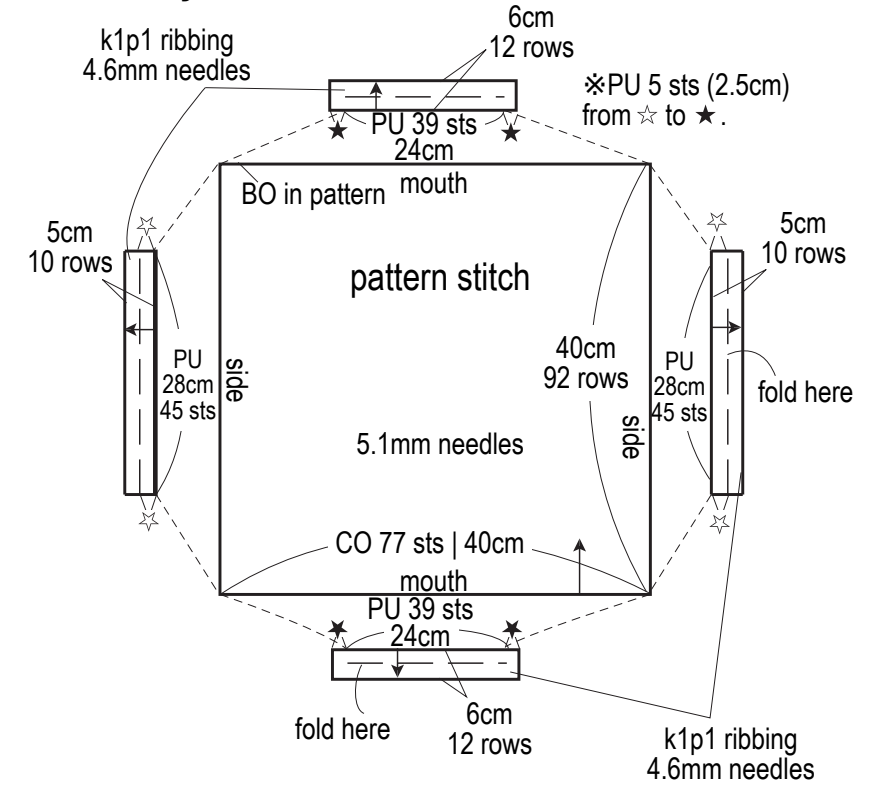
Pattern stitch (5.1mm needles)

□ = □ knit




(abbreviated - work even)

Body, mouth & sides

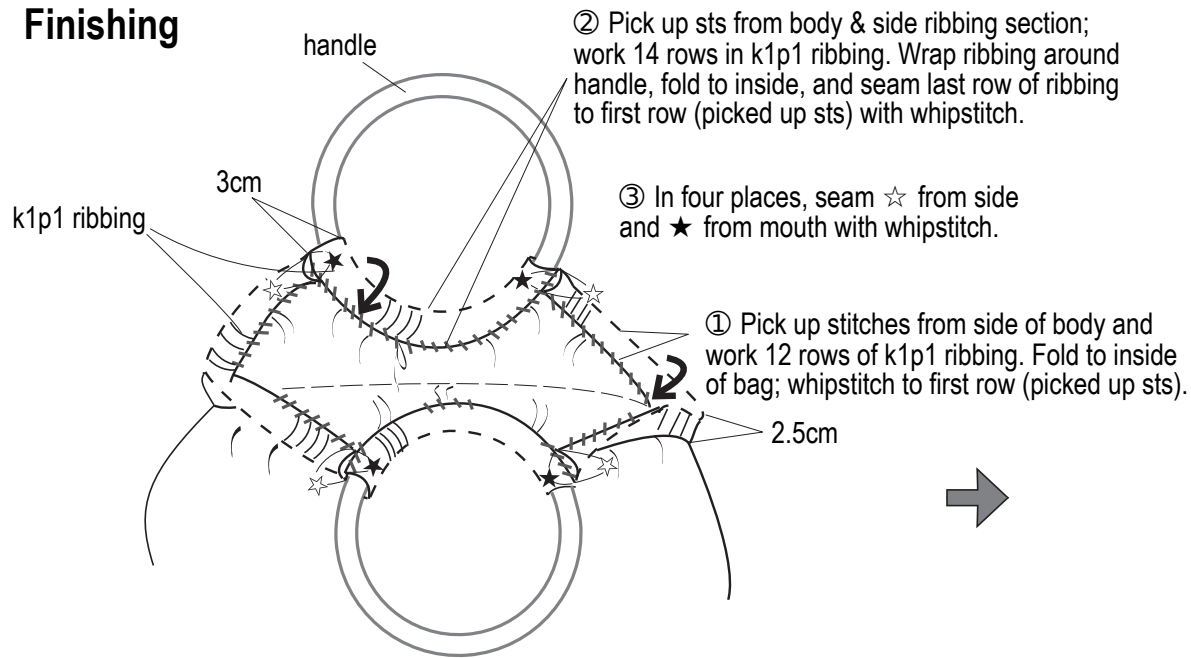


Use this QR code on your smartphone to view a video about how the finishing of this bag.



※To view on computer, search on the Pierrot Yarns website instead.

Finishing



Finished item

