

212ss-19 Girls' Noble Silk Suit



Suggested yarn:

- Pierrot Yarns Noble Silk [100% silk; 159 yds/145m per 1.41 oz./40g skein];
 - color #01 off-white, 3 skeins [105g]
 - color #03 rose pink, 3 skeins [100g]
 - color #05 deep navy, 2 skeins [75g]

Tools/Notions:

- 3.0mm (US C or D) crochet hook or size necessary to achieve gauge
- elastic for waistband (30mm/1.18" wide, 55cm/21.65" long)

Finished measurements:

- top
 - chest 74cm/29.13"
 - cross back width 29cm/11.42"
 - length 42cm/16.54"
 - sleeve length 11cm/4.33"
- skirt
 - waist 53cm/20.87"
 - hips 84cm/33.07"
 - length 35.5cm/13.98"

Gauge (10cm/4" square):

- double crochet (US): 20 sts and 10 rows
- single crochet (US): 20 sts and 30 rows
- Each crochet motif should measure 7cm/2.76" square.

Gauge may vary according to individual crochet style. Change hook size if necessary to achieve gauge. Alternatively, rework pattern with your own gauge measurements.

Crochet Tips

Front & back body: Create magic ring, and crochet motifs. Seam motifs together with whipstitch. Crochet upper body (in dc stripes) and peplum (in dc stripes and sc), respectively, by working into stitches along edge of joined motifs.

Sleeves: Chain to begin, and working into bottom loops of chain, crochet in dc stripes. Work sc edging along foundation row.

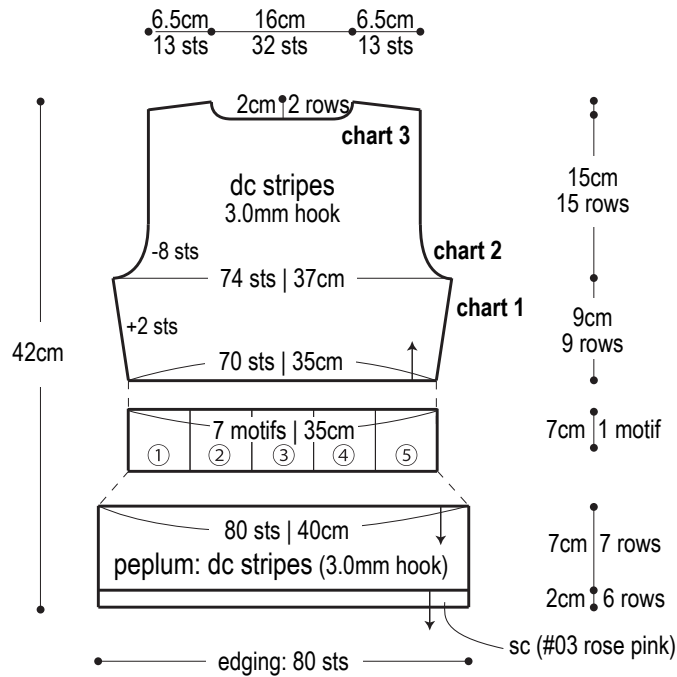
Skirt: Crochet motifs as for body, and seam together with whipstitch. Crochet upper skirt (in dc stripes) and lower skirt (in dc stripes and sc), respectively, by working in stitches along edge of joined motifs. On last row of upper skirt, decrease evenly across. Make 2 identical pieces (front and back). Seam sides with chain seam (alternation ch and sc as needed to maintain pattern), Working into edge of upper skirt, work waistband in the round..

Finishing: Seam shoulders with woven seam. Seam sides and sleeve underside with chain seam. Seam sleeves to body with slip stitch. Work sc edging around neckline in the round. Insert elastic into waistband, and sew ends of elastic together (with 2cm/0.79" overlap), leaving a slot of approximately 3cm/1.18".

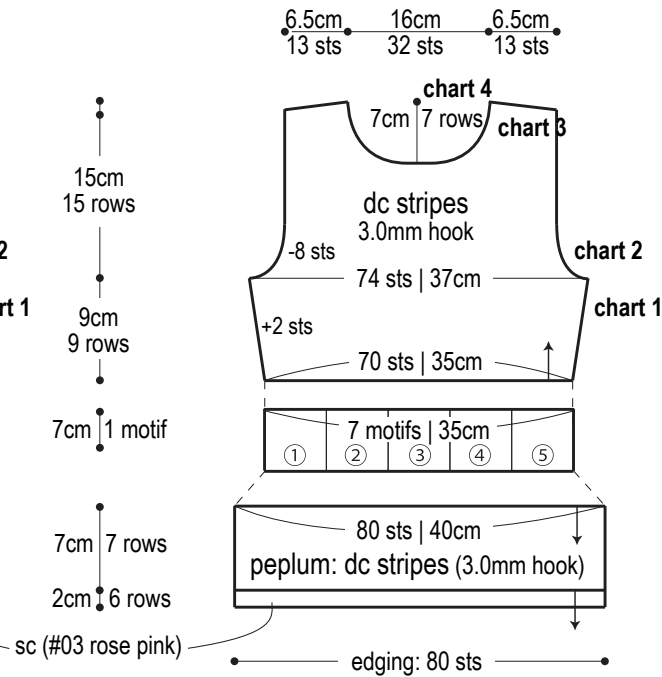
Abbreviations:

ch = chain dc = double crochet (US) m = magic ring sc = single crochet (US)

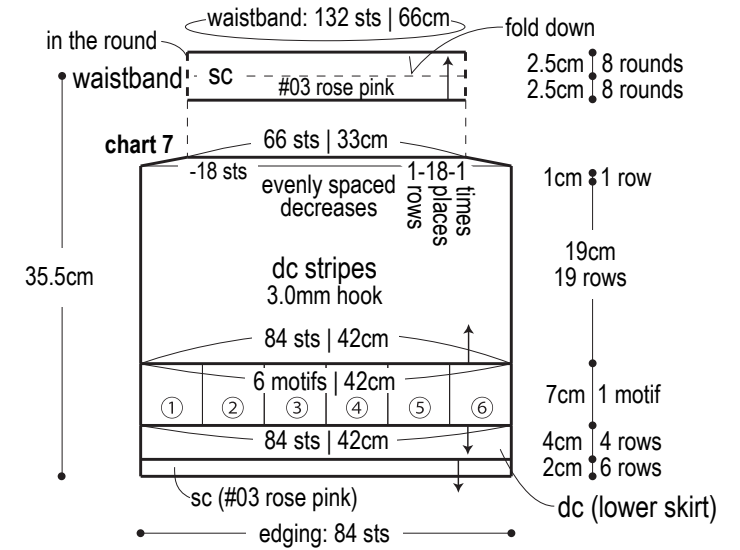
Back



Front

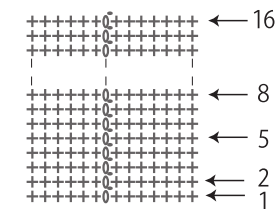


Skirt (3.0mm hook)

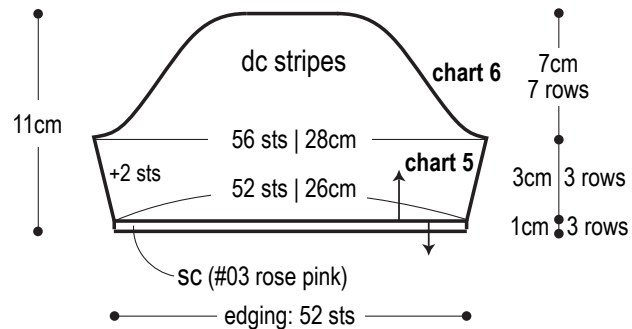


Belt (3.0mm hook)

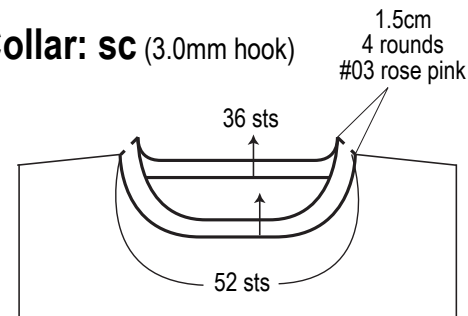
#03 rose pink



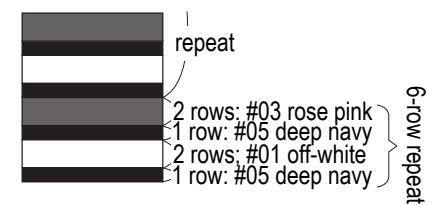
Sleeve (3.0mm hook)

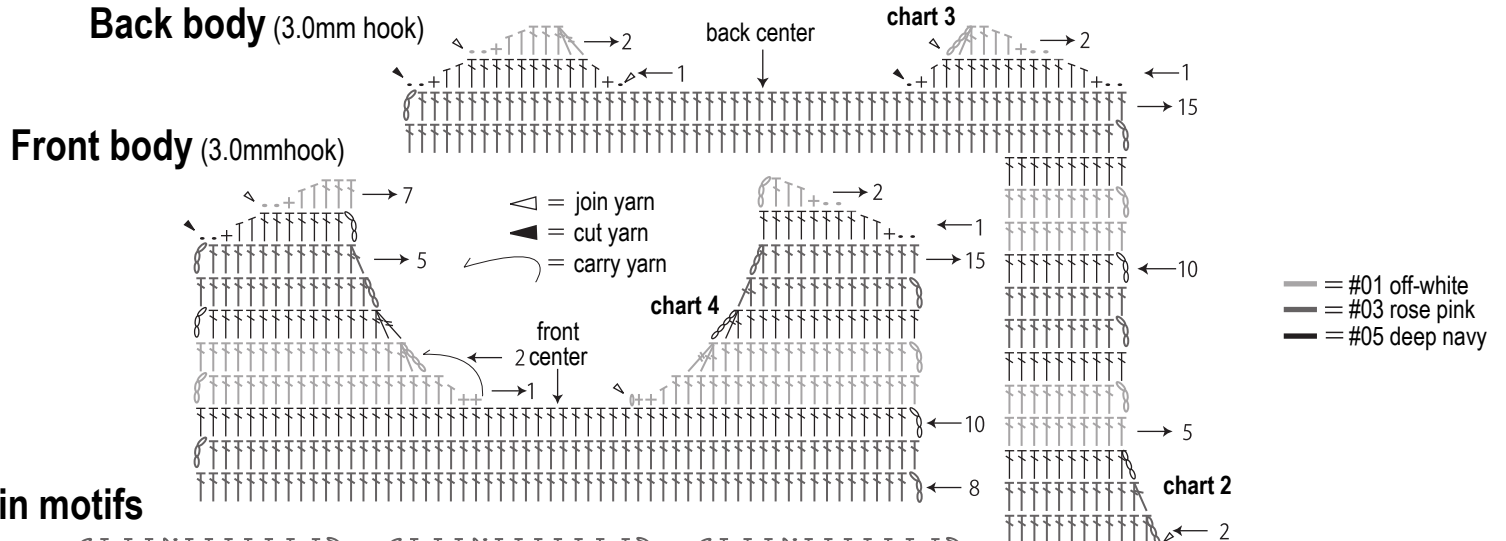


Collar: sc (3.0mm hook)

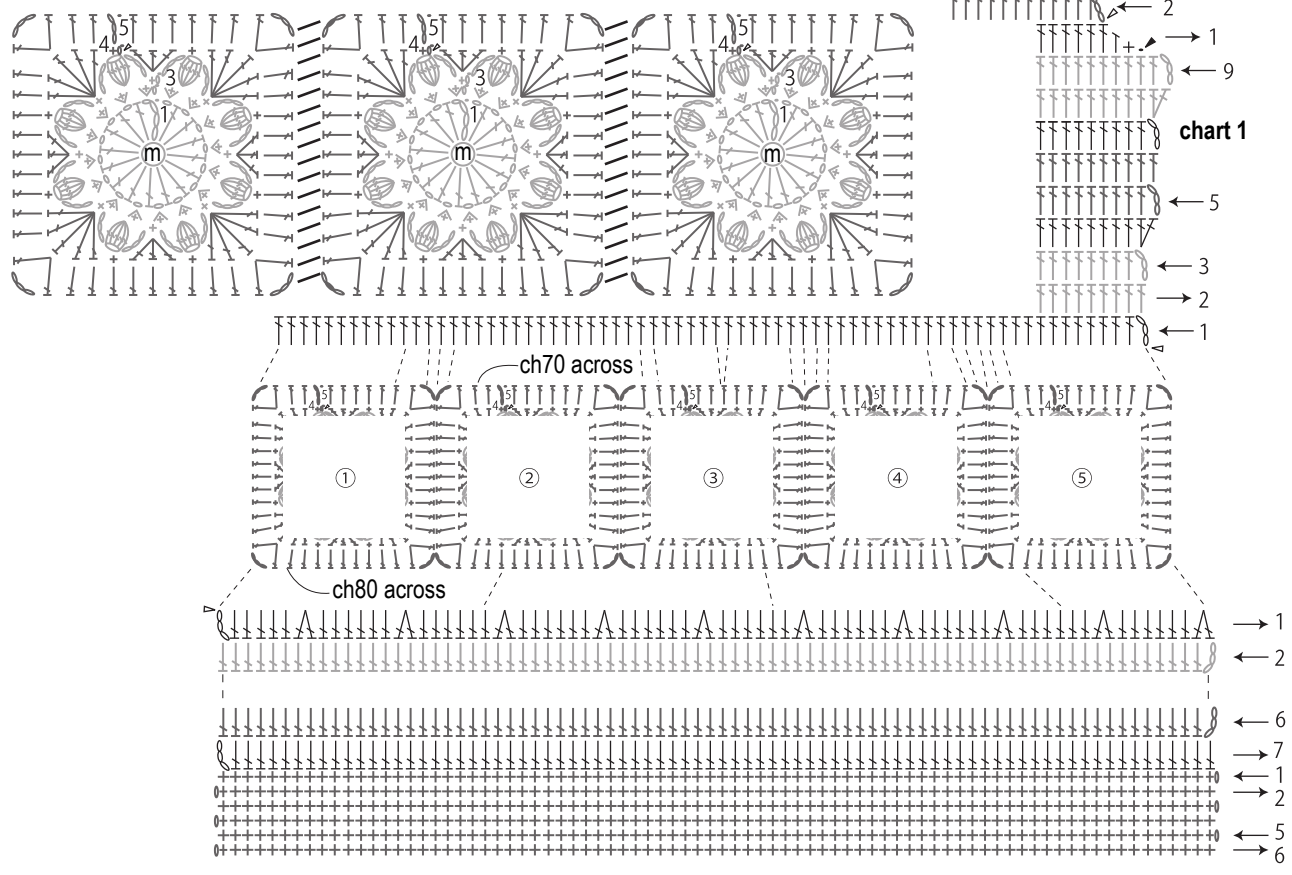


Dc stripe sequence

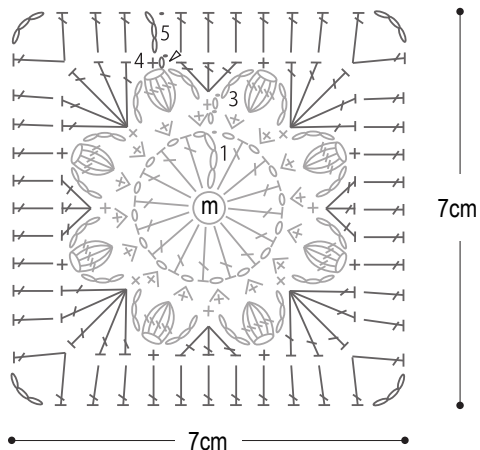





How to join motifs



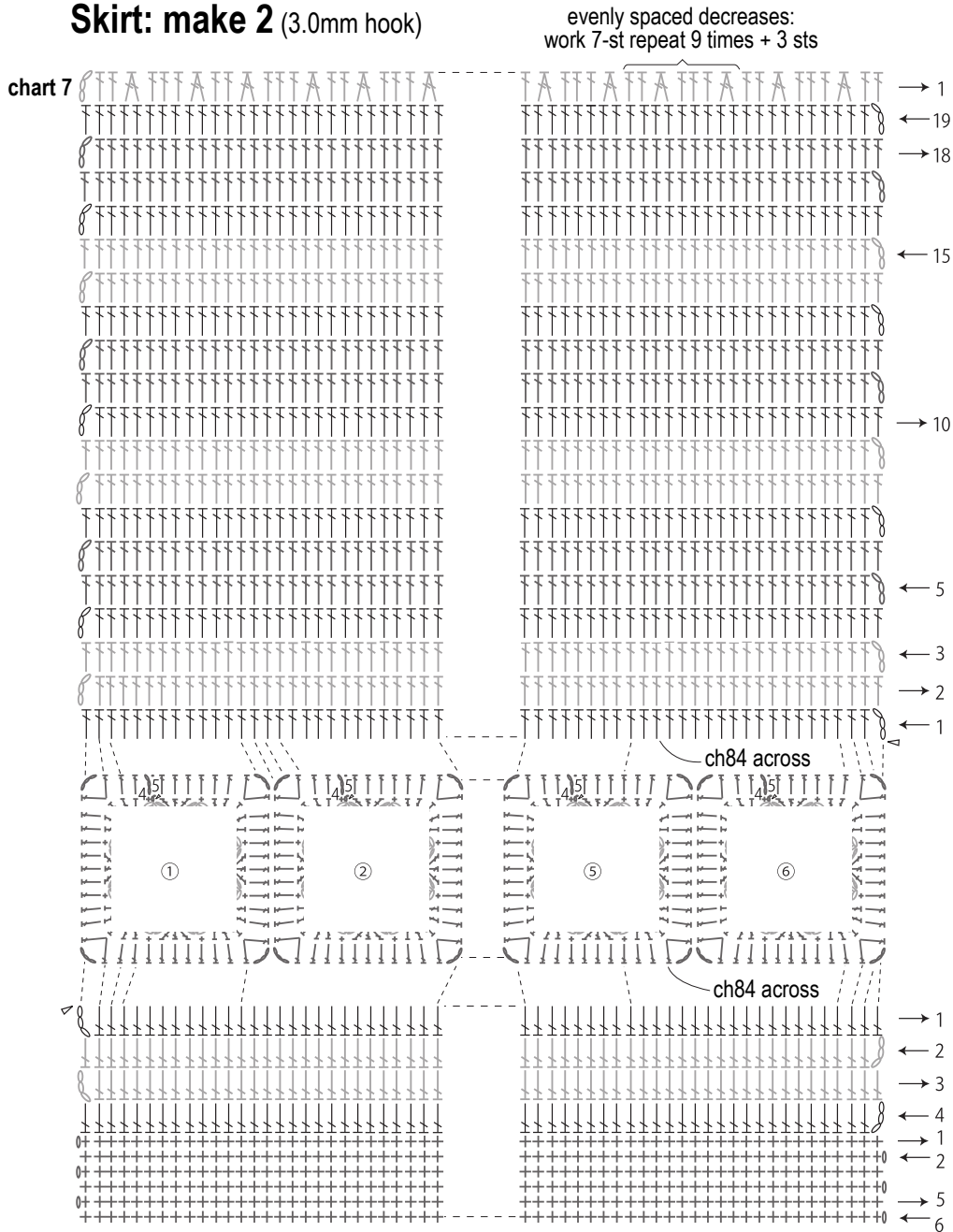
Motif (3.0mm hook)



 = 5-dc popcorn stitch

rounds 1-3: color #01 off-white
 rounds 4-5: color #03 rose pink

Skirt: make 2 (3.0mm hook)



Sleeve (3.0mm hook)

