

212s-15 Tappuri Totebag



Suggested yarn:

- version A:
 - Pierrot Yarns New Fresco Lino Fine [100% linen; 164 yds/150m per 1.76 oz./50g skein];
 - color #109 sand beige, 6 skeins [290g]
 - color #112 night blue, 4 skeins [170g]
- version B:
 - Pierrot Yarns Amijin Cotton 100 [100% organic cotton; 137 yds/125m per 1.06 oz./30g skein]; color #1 off-white, 4 skeins [120g]
 - Pierrot Yarns Sogno [100% cotton; 87 yds/80m per 1.41 oz./40g skein]; color #07 green/red, 3 skeins [120g]

Tools/Notions:

- 2.3mm (approx. US B), 2.5mm (approx. US B or C), and 3.0mm (approx. US C or D) crochet hook or size necessary to achieve gauge

Finished measurements:

- mouth circumference 86cm/33.86"
- depth 30cm/11.81"

Gauge (10cm/4" square):

- version A:
 - single crochet (US): 20 sts and 25 rounds
- version B:
 - single crochet (US) with Amijin Cotton 100: 25 sts and 30 rounds
 - single crochet (US) with Sogno: 25 sts and 25 rounds

Gauge may vary according to individual crochet style. Change hook size if necessary to achieve gauge. Alternatively, rework pattern with your own gauge measurements.

Crochet Tips

※Version A is worked with 2 strands of yarn held together. Version B is worked with 1 strand of yarn.

Bottom: Work chain to begin, then work in single crochet (US).


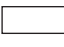
Sides: Join yarn to start of bottom piece. Work turning post and begin crocheting. Work sc around perimeter of bottom in the round.

Handles: Work chain to begin, then work in sc. Whipstitch or backstitch handles to right side of body of bag.

Abbreviations:

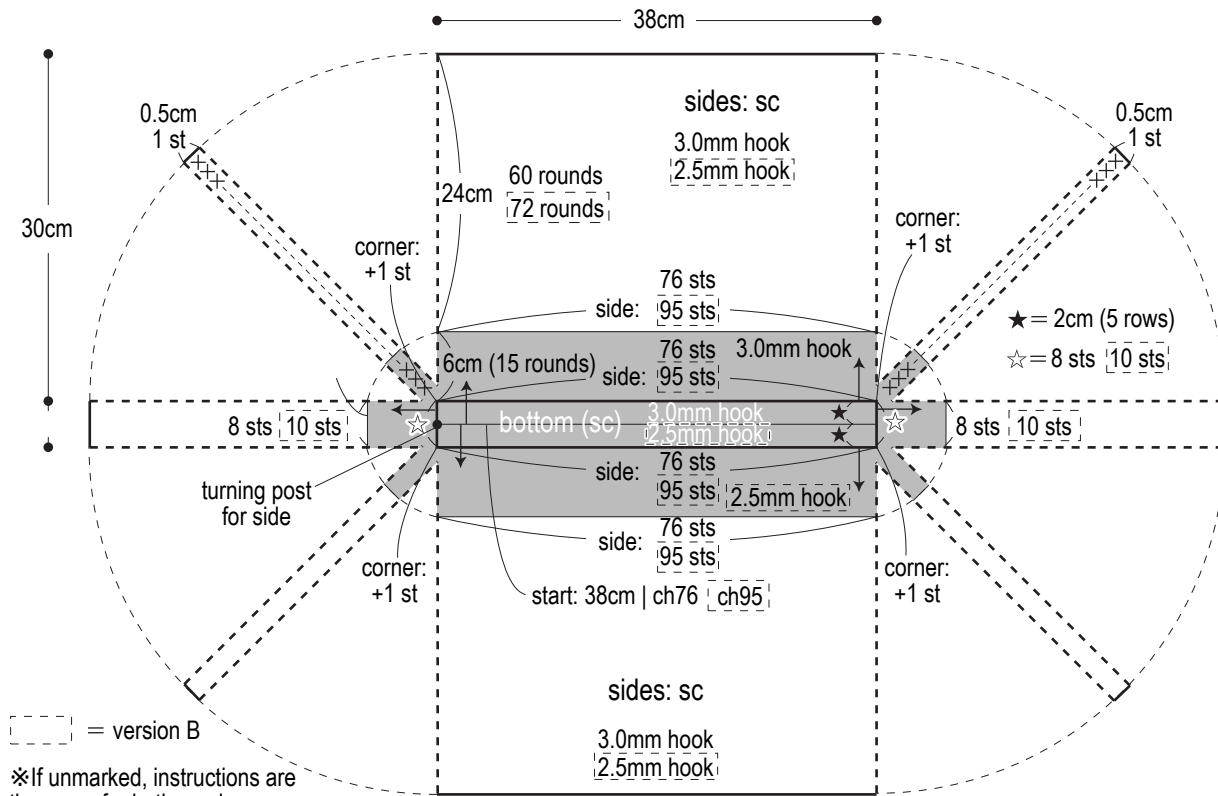
ch = chain

sc = single crochet (US)

	version A (2 strands)	version B (1 strand)
	New Fresco Lino Fine color #112 night blue 3.0mm hook	Sogno color #07 green/red 2.3mm hook
	New Fresco Lino Fine color #109 sand beige 3.0mm hook	Amijin Cotton 100 color #1 off-white 2.5mm hook

Body of bag

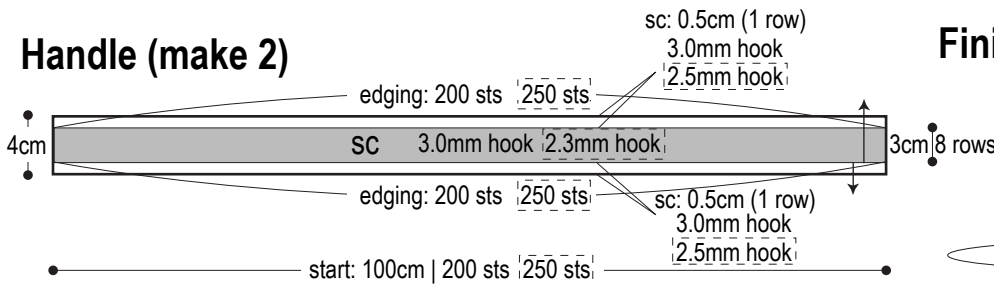
※Version A is worked with 2 strands of yarn held together.



--- = version B

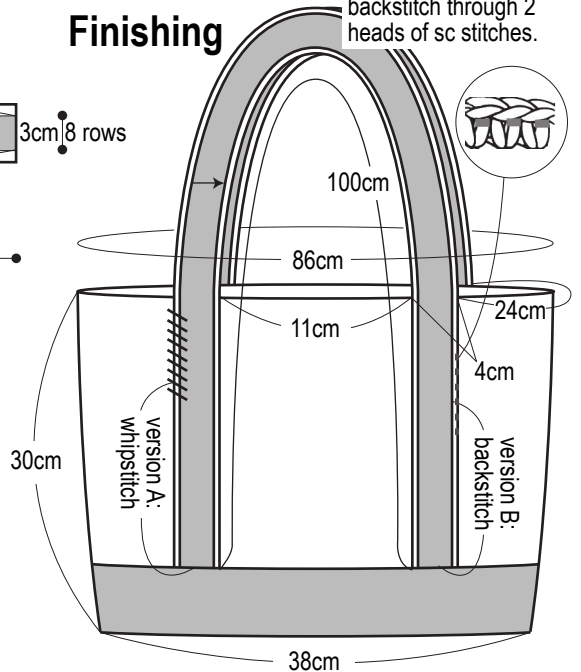
※If unmarked, instructions are the same for both versions.

Handle (make 2)



Finishing

※For version B handles, backstitch through 2 heads of sc stitches.



Bottom instructions

