

# 211w-13 Shine Merino Reversible Purse



## Suggested yarn:

- Pierrot Yarns Shine Merino [95% merino, 3% polyester, 2% cupra rayon; 131 yds/120m per 1.41 oz./40g skein];
  - color #09 garnet, 6 skeins [155g]
  - color #10 chocolate, 1 skein [10g]
- Pierrot Yarns Standard [34% polyester, 66% rayon; 481 yds/440m per 1.76 oz./50g cone]; color #5401 gold lamé, 1 cone [5g]

## Tools/Notions:

- 3.0mm (approx. US C or D) and 3.5mm (US E) crochet hooks or sizes necessary to achieve gauge
- purse hardware: 2 oblong rings (each 5mm/0.20" wide and 30mm/1.18" long)

## Finished measurements:

- width 23cm/9.06"
- depth 14cm/5.51"

## Gauge (10cm/4" square):

- pattern stitch: 17.5 sts and 20 rows
- single crochet (US), with 3.5mm hook: 18 sts and 22 rows

*Gauge may vary according to individual crochet style. Change hook size if necessary to achieve gauge. Alternatively, rework pattern with your own gauge measurements.*

## Crochet Tips

※Crochet body pieces, flap, and gusset with 2 strands of color #09 garnet held together. Crochet shoulder strap with 1 strand of #10 chocolate and 1 strand of #5401 gold lamé held together (for a total of 2 strands).

**Body (2 pieces) and gusset:** Chain to begin, and working into bottom loops of chain, work in sc. On the gusset piece, create location where purse hardware will be fastened.

**Flap:** Chain to begin, and working into bottom loops of chain, work in pattern stitch.

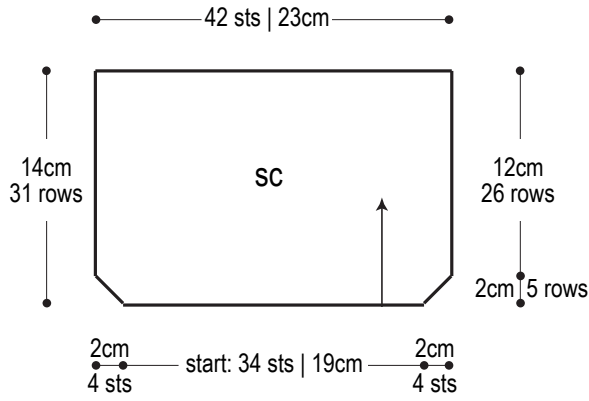
**Shoulder strap:** Chain to begin, and working into bottom loops of chain, work in sc. Fasten one piece of purse hardware to each end.

**Finishing:** Seam 1 body piece to flap with whipstitch. Seam second piece of body to gusset with whipstitch.

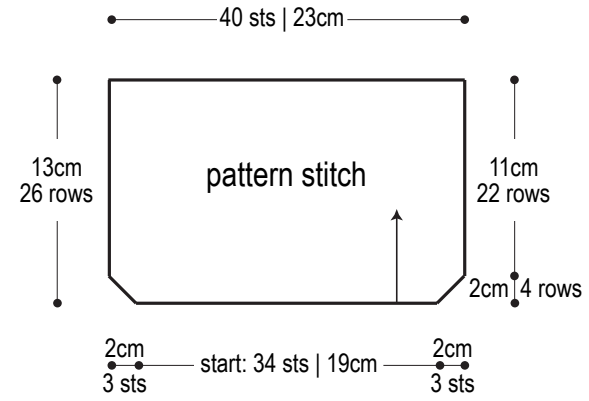
## Abbreviations:

ch = chain  
sc = single crochet (US)

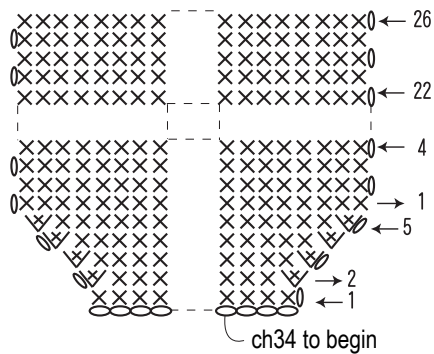
**Body (make 2)**  
3.5mm hook



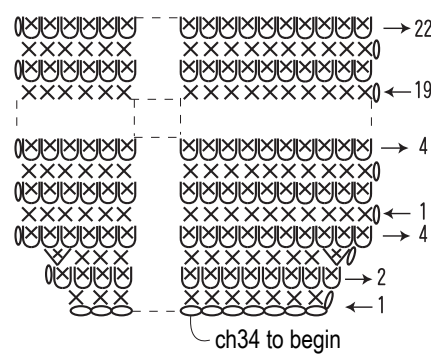
**Flap**  
3.5mm hook



**Body (make 2)**  
sc, 3.5mm hook

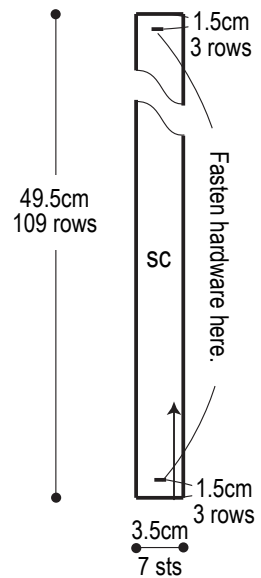


**Body**  
pattern stitch, 3.5mm hook

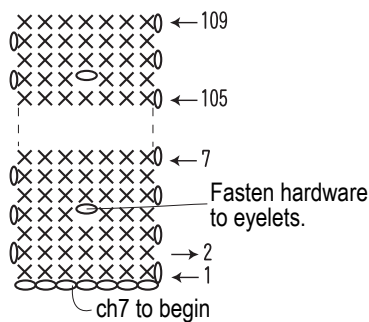


⊗ = sc loop stitch

**Gusset**  
3.5mm hook

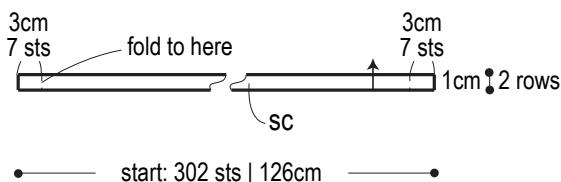


**Gusset & hardware eyelets**  
sc, 3.5mm hook



**Shoulder strap** (3.0mm hook)

Shine Merino, #10 chocolate  
Standard, #5401 gold lamé  
\*Use 2 strands held together (1 strand of each).



**Finishing**

