

212ss-32 Tsubaki Cotton Mini-Sweater



Suggested yarn:

- Pierrot Yarns Tsubaki Cotton [100% cotton treated with tsubaki oil (camellia); 90 yds/82m per 1.41 oz./40g skein];
 - kids' 90cm size: color #03 light camellia, 3 skeins [105g]
 - kids' 120cm size: color #07 beige gray, 4 skeins [135g]
 - ladies' size: color #05 wasabi, 5 skeins [195g]

Tools/Notions:

- 3.6mm (approx. US 5) and 4.2mm (approx. US 6 or 7) straight knitting needles or sizes necessary to achieve gauge
- 3.6mm (approx. US 5) double-pointed knitting needles or size necessary to achieve gauge

Finished measurements:

- | | | |
|--|---|---|
| • 90cm size: <ul style="list-style-type: none">• bust 69cm/27.17"• cross back width 25.5cm/10.04"• length 26cm/10.24"• sleeve length 13cm/5.12" | • 120cm size: <ul style="list-style-type: none">• bust 76cm/29.92"• cross back width 29cm/11.42"• length 29.5cm/11.61"• sleeve length 13cm/5.12" | • ladies' size: <ul style="list-style-type: none">• bust 93cm/36.61"• cross back width 37.5cm/14.76"• length 41.5cm/16.34"• sleeve length 15cm/5.91" |
|--|---|---|

Gauge (10cm/4" square):

- stockinette stitch: 18 sts and 25 rows
- pattern stitch: 18 sts and 26.5 rows

Gauge may vary according to individual knitting style. Change needle size if necessary to achieve gauge. Alternatively, rework pattern with your own gauge measurements.

Knitting Tips

Body: Cast on with long-tail cast-on method. Work in pattern stitch and then stockinette stitch.

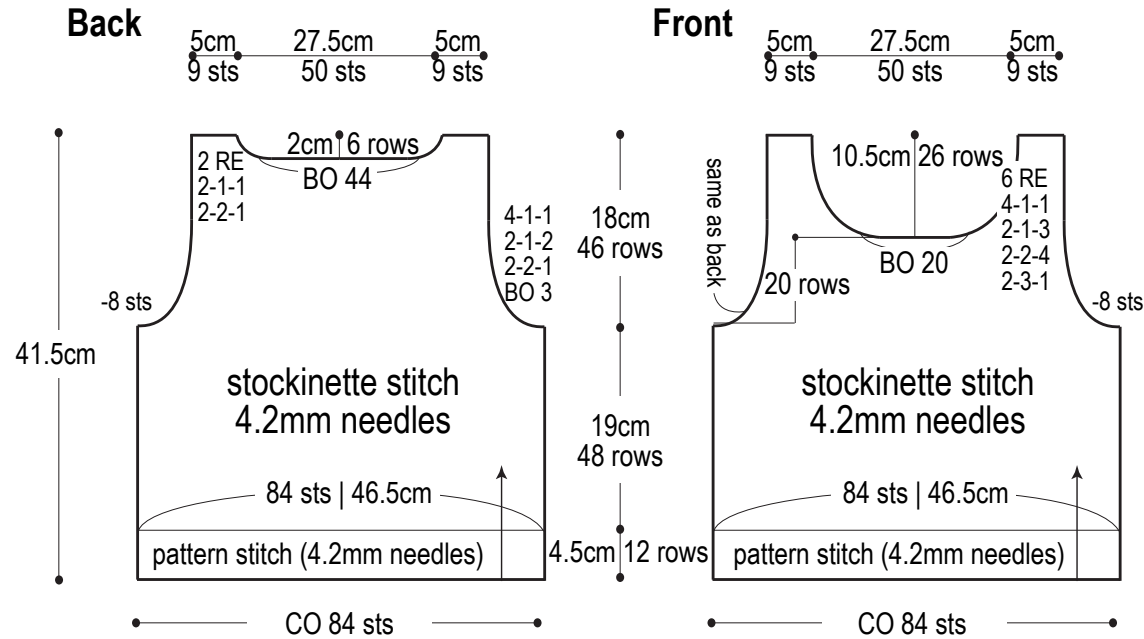
Sleeves: Cast on with long-tail cast-on method. Work in k1p1 ribbing, then stockinette stitch.

Finishing: Seam shoulders with slip stitch. Seam sides and sleeve undersides with mattress stitch. Seam sleeves to body with slip stitch. Pick up stitches around neckline and work collar in k1p1 ribbing in the round.

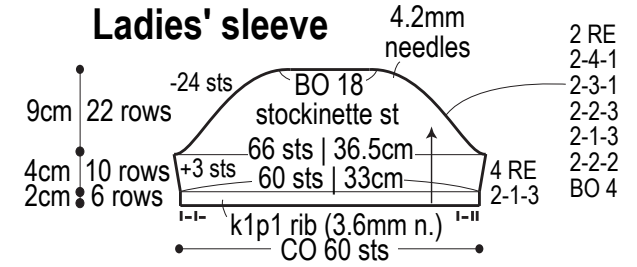
Abbreviations:

BO = bind off
CO = cast on
PU = pick up
RE = row(s) even
#-#-# = rows-stitches-times

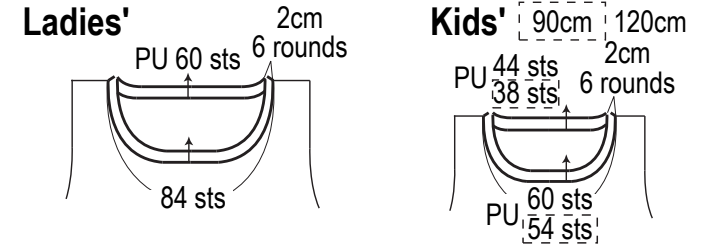
Ladies' size



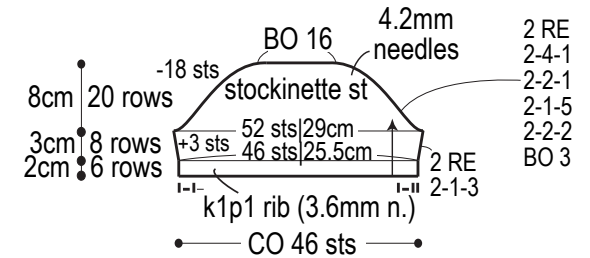
Ladies' sleeve



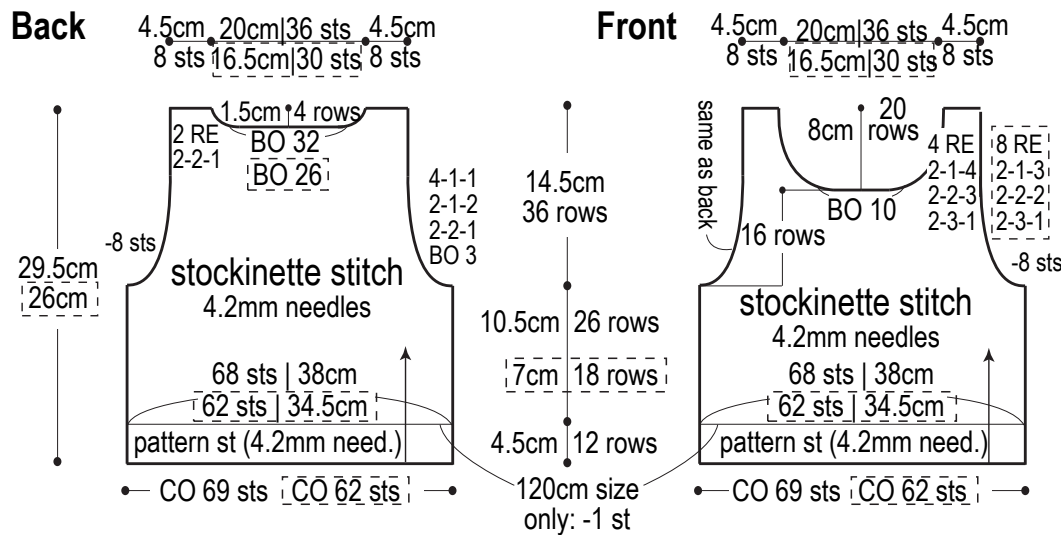
Collar (k1p1 ribbing; 3.6mm DPNs)



Kids' sleeve



Kids' sizes



Pattern stitch (4.2mm needles)

