

212ss-29 Heartful Baby Tanktop



Suggested yarn:

- Pierrot Yarns Marble Organic [100% organic cotton; 77 yds/70m per 0.88 oz./25g skein]; color #24 white/pink, 3 skeins [75g]
- Pierrot Yarns Amijin Cotton 100 [100% organic cotton; 137 yds/125m per 1.06 oz./30g skein]; color #4 brown, 1 skein [small amount]

Tools/Notions:

- 3.3mm (approx. US 3) and 3.6mm (approx. US 5) straight knitting needles or sizes necessary to achieve gauge
- 3.3mm (approx. US 3) double-pointed knitting needles or size necessary to achieve gauge
- 2.5mm (approx. US B) crochet or size necessary to achieve gauge
- small amount black embroidery thread

Finished measurements:

- chest 60cm/23.62"
- cross back width 23cm/9.06"
- length 32cm/12.60"

Gauge (10cm/4" square):

- stockinette stitch: 18 sts and 27 rows

Gauge may vary according to individual knitting style. Change needle size if necessary to achieve gauge. Alternatively, rework pattern with your own gauge measurements.

Knitting Tips

Front & back body: Cast on with long-tail cast-on method. Work in k1p1 ribbing, then stockinette stitch.

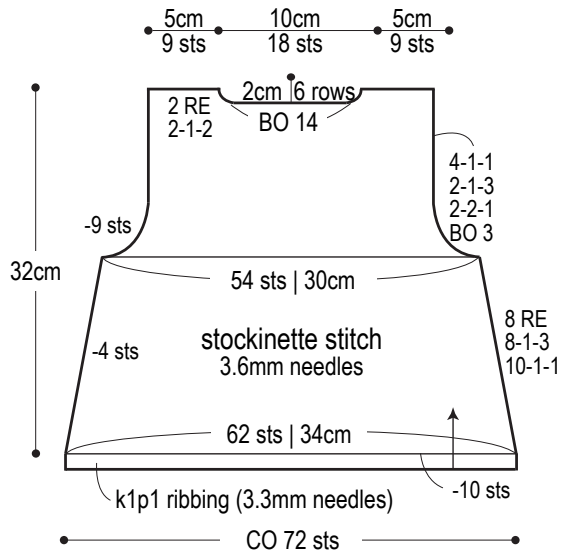
Finishing: Seam shoulders with slip stitch seam. Seam sides with mattress stitch. Pick up stitches around armholes and neckline; work edging in k1p1 ribbing in the round. Bind off in pattern.

Appliqué: Crochet logo appliqué according to chart. Sew to front body. For cat appliqué, crochet body, 2 paws, and tail. Sew paws and tail to body. Embroider eyes, nose, mouth, and whiskers on cat's face. Sew cat appliqué to back body. *Note: sew both appliqués to garment with one ply of Amijin Cotton 100.

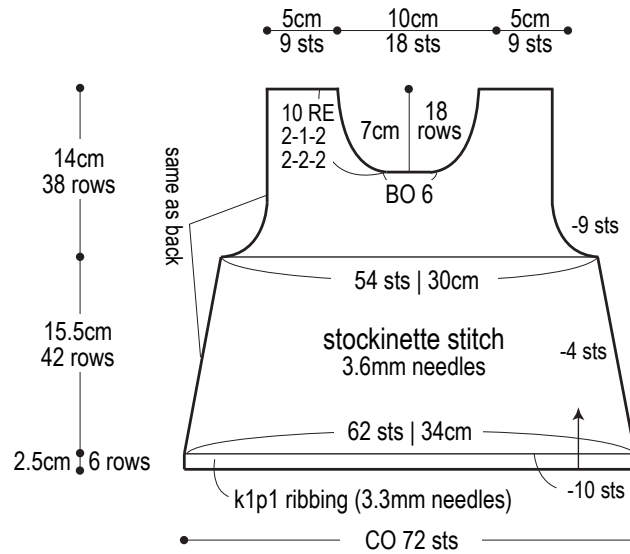
Abbreviations:

BO = bind off
ch = chain
CO = cast on
hdc = half double crochet (US)
PU = pick up
RE = row(s) even
sc = single crochet (US)
sc2tog = single crochet (US) two stitches together
= rows-stitches-times

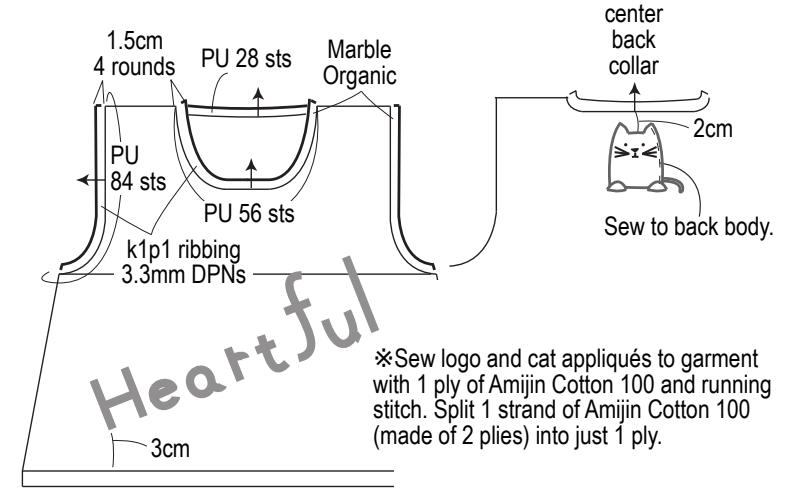
Back (Marble Organic)



Front (Marble Organic)

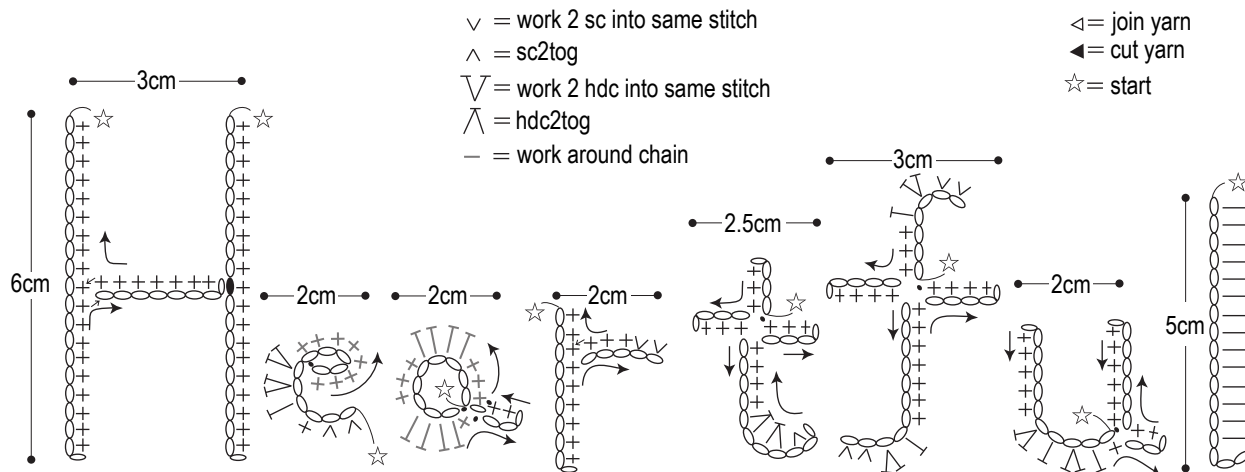


Armhole & neckline edging; appliqué placement

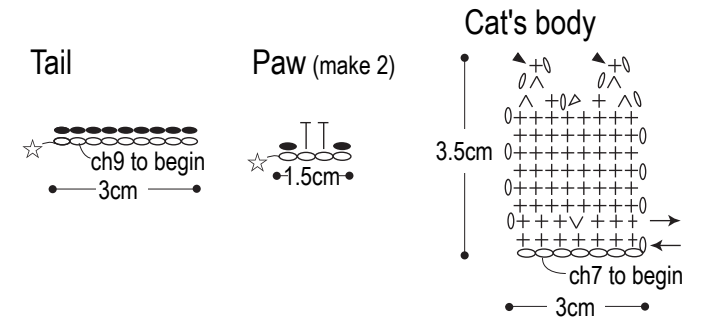


*Sew logo and cat appliqués to garment with 1 ply of Amijin Cotton 100 and running stitch. Split 1 strand of Amijin Cotton 100 (made of 2 plies) into just 1 ply.

Logo appliqué (Amijin Cotton 100; 2.5mm hook)

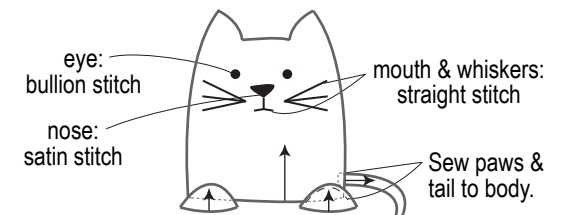


Cat appliqué (Amijin Cotton 100; 2.5mm hook)



Finishing

Use black embroidery thread.



*Tuck tail 0.5mm into body. Sew only the part of the tail that overlaps with the body.