

# 212s-18 Long Belted Vest



## Suggested yarn:

- Pierrot Yarns Dolce Lino [64% cotton, 35% linen; 115 yds/105m per 1.76 oz./50g skein]; color #02 gray/purple variegated, 8 skeins [360g]

## Tools/Notions:

- 3.5mm (US E) and 4.0mm (US G) crochet hooks or sizes necessary to achieve gauge
- 2 buttons (25mm/0.98")
- 1 button (15mm/0.59")
- 1 belt buckle (4cm/1.57" by 6.5cm/2.56")

## Finished measurements:

- bust 88cm/34.65"
- cross back width 31.5cm/12.40"
- length 63cm/24.80"

## Gauge (10cm/4" square):

- pattern stitch A: 20.5 sts and 9.5 rows
- pattern stitch B: 21 sts and 10 rows

*Gauge may vary according to individual crochet style. Change hook size if necessary to achieve gauge. Alternatively, rework pattern with your own gauge measurements.*

## Crochet Tips

**Front & back body:** Make chain to begin, working first row into bottom loops of chain. Work in pattern stitch A. Work part ①, then parts ②, ③, and ④ in order; join together with sc2tog as you go. For back only, continue to shoulder straps.

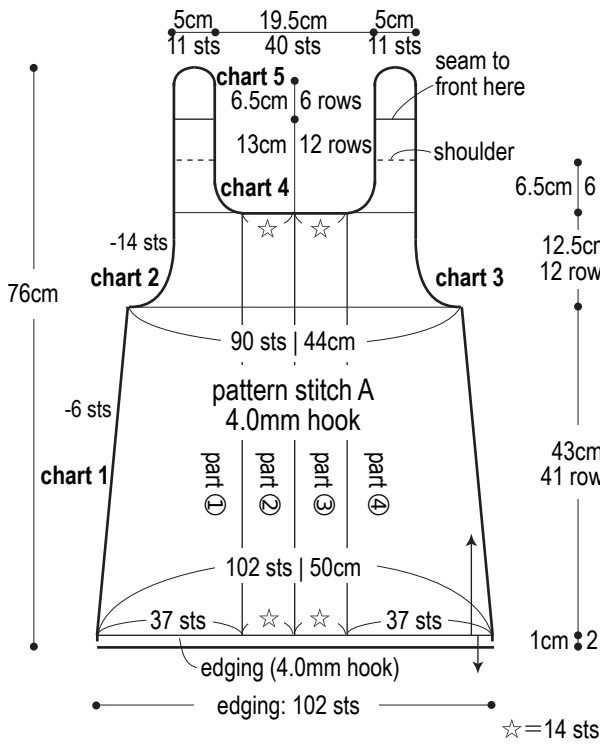
**Finishing:** Seam sides chain seam (alternating chain stitches and slip stitches as needed). Work edging in the round around hem. Work edging in one continuous piece along armholes, shoulder straps, and back neckline. Work edging along front neckline. Seam wrong side of shoulder straps to front body where indicated. Fasten buttons. Crochet belt loops and attach where indicated.

**Belt:** Make chain to begin, working first row into bottom loops of chain. Work first two rows in double crochet (US), then in pattern stitch B. Work edging around belt edges, then fasten buckle to double crochet section.

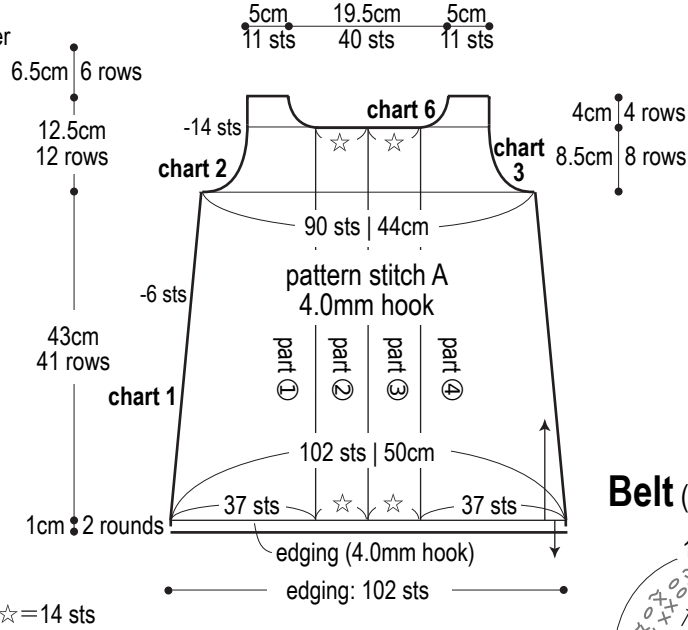
## Abbreviations:

ch = chain  
dc = double crochet (US)  
RS = right side  
sc = single crochet (US)  
sc2tog = sc two stitches together  
WS = wrong side

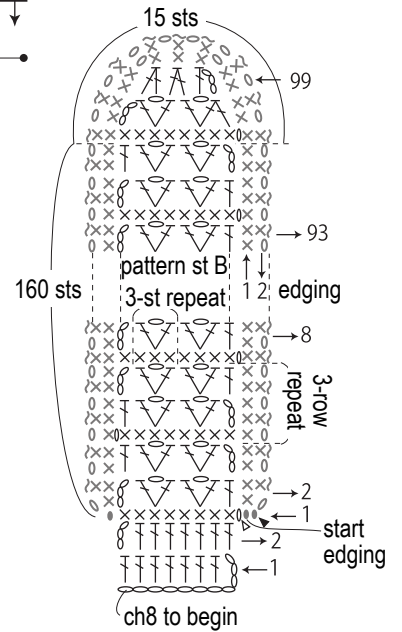
# Back



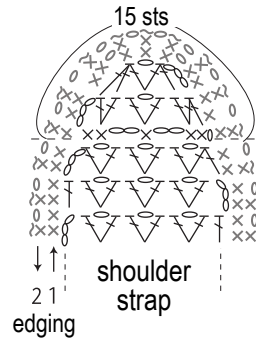
# Front



# Belt (3.5mm hook)

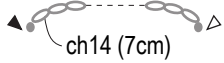


# Tip of shoulder strap (4.0mm hook)



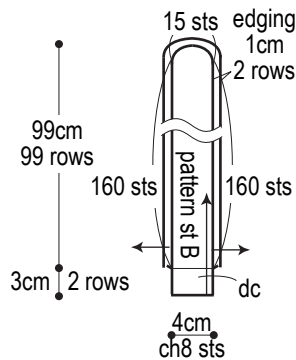
# Belt loops

(make 2; 4.0mm hook)

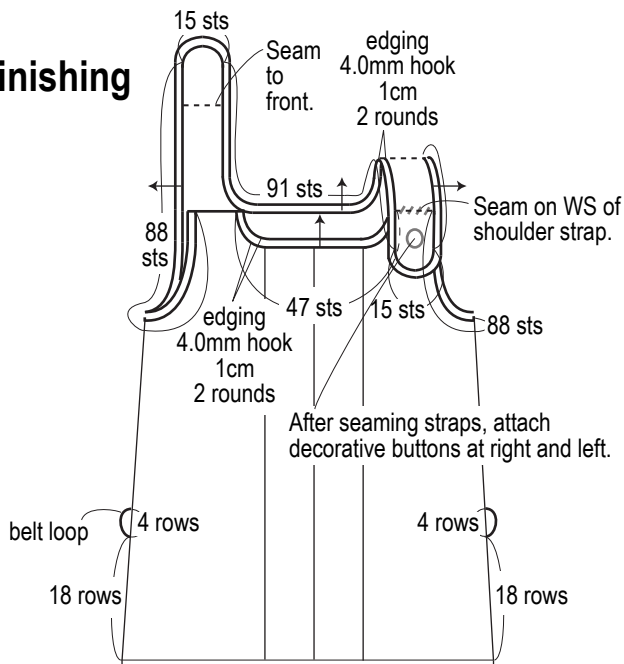


\*After completing both side seams, join yarn and crochet belt loops where indicated.

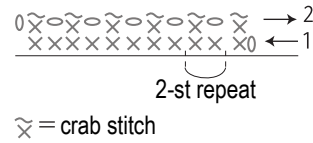
# Belt (3.5mm hook)



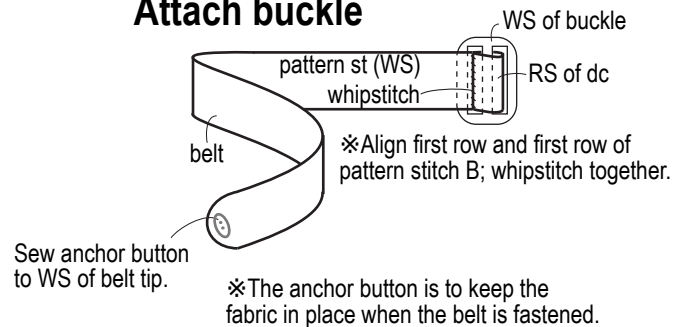
# Finishing



# Edging (4.0mm hook)

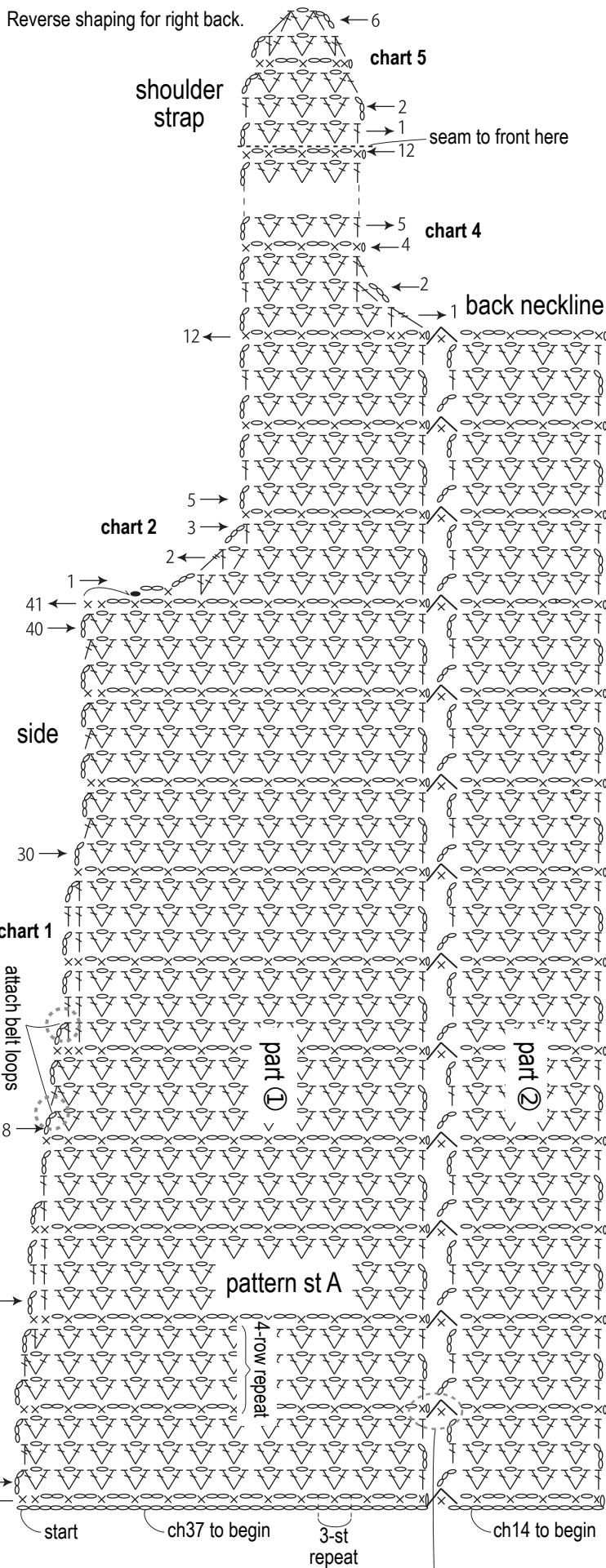


# Attach buckle



# Left back (4.0mm hook)

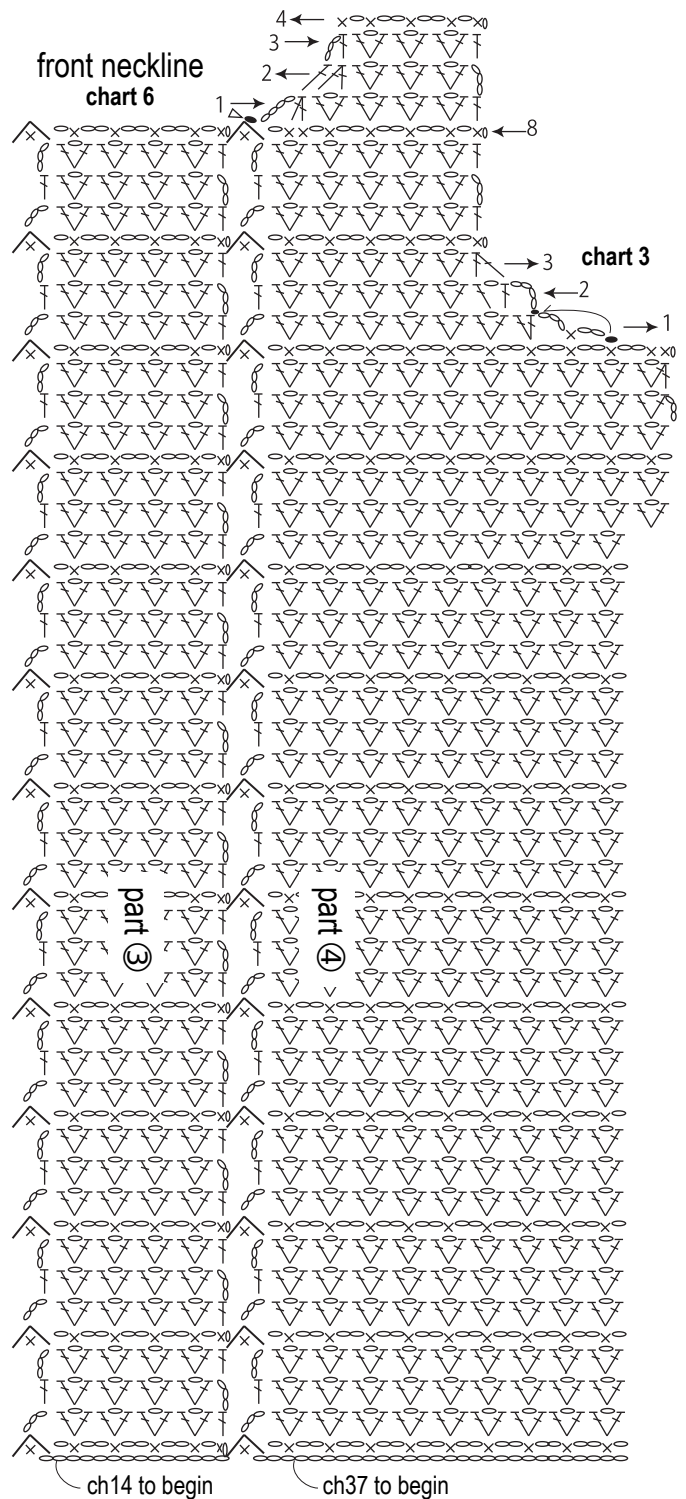
Reverse shaping for right back.



- △ = join yarn
- ▲ = cut yarn
- = carry yarn
- ⊗ = sc2tog

# Left front (4.0mm hook)

Reverse shaping for right front.



Insert hook into third chain st of turning post and head of dc; work sc2tog.