

212s-12 Nautical Vest



Suggested yarn:

- Pierrot Yarns Beauty Silk Cotton [90% cotton, 10% silk; 180 yds/165m per 1.06 oz./30g skein];
 - color #01 white, 1 skein [10g]
 - color #10 dark blue, 7 skeins [195g]
 - color #06 mustard, 1 skein [5g]
 - color #09 old rose, 1 skein [5g]

Tools/Notions:

- 3.6mm (approx. US 5) and 3.9mm (approx. US 6) straight knitting needles or sizes necessary to achieve gauge
- 3.6mm (approx. US 5) double-pointed knitting needles or size necessary to achieve gauge
- 2.0mm (US steel hook 4) crochet hook or size necessary to achieve gauge

Finished measurements:

- bust 96cm/37.80"
- cross back width 33cm/12.99"
- length 53.5cm/21.06"

Gauge (10cm/4" square):

- stockinette stitch: 23 sts and 28 rows

Gauge may vary according to individual knitting style. Change needle size if necessary to achieve gauge. Alternatively, rework pattern with your own gauge measurements.

Knitting Tips

✳Anchor appliqué is worked with 1 strand of yarn. Everything else is worked with 2 strands of yarn held together.

Front & back body: Cast on with long-tail cast-on method. Work in k1p1 ribbing followed by stranded pattern stitch, then followed by stockinette stitch.

Anchor appliqué: Crochet anchor appliqué according to chart. After attaching appliqué where indicated with basting thread (or similar), seam it to front. Remove basting thread from the wrong side.

Finishing: Seam shoulders with slip stitch. Seam sides with mattress stitch. Pick up stitches around armholes and neckline, respectively, and work k1p1 ribbing in the round. Refer to chart for instructions for knitting tip of V-neck. Bind off in pattern.

Abbreviations:

BO = bind off

CO = cast on

OH = on hold (that is, place on stitch holder)

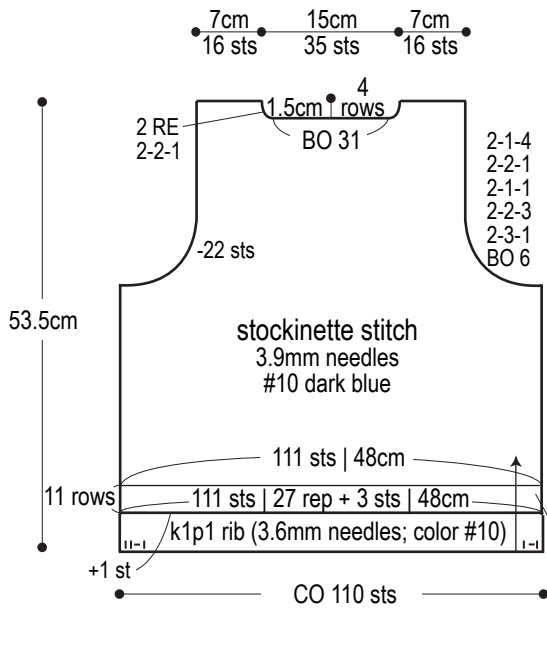
PU = pick up

RE = row(s) even

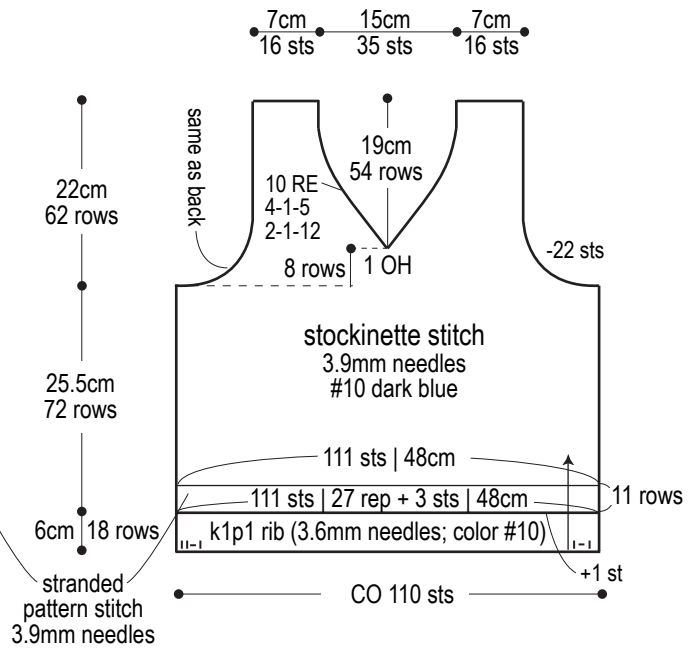
rep = repeat(s)

#-#-# = rows-stitches-times

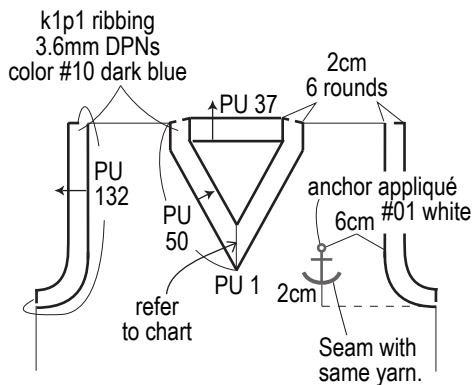
Back



Front

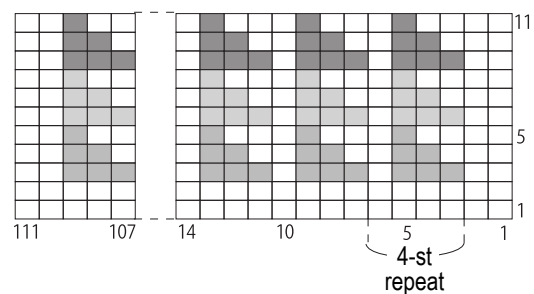


Finishing



Stranded pattern stitch

(3.9mm needles)



□ = #01 white

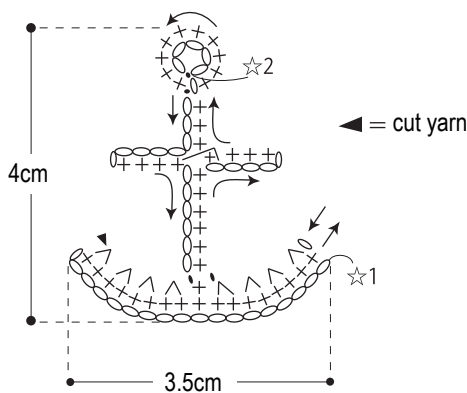
□ = #06 mustard

□ = #09 old rose

Use #10 dark blue for everything else.

Anchor appliqué (2.0mm hook)

1 strand of #01 white



※ Start from ★ 1, then crochet ★ 2, joining with slip stitches.

V-neck tip decreases

(3.3mm DPNs)

