

# amicomo10-1 Children's Cotton Soft Vest



## Suggested yarn:

- Mondial Cotton Soft Speciale Baby Solid [100% cotton; 197 yds/180m per 1.76 oz./50g skein];
  - color #509 sunflower, 1 skein [25g]
  - color #642 lime, 1 skein [50g]
  - color #821 orange sorbet, 2 skeins [75g]

## Tools/Notions:

- 3.0mm (approx. US C or D) crochet hook or size necessary to achieve gauge

## Finished measurements:

- chest 76cm/29.92"
- cross back width 28cm/11.02"
- length 36cm/14.17"

## Gauge (10cm/4" square):

- pattern stitch (stripes): 27 sts and 12 rows

*Gauge may vary according to individual crochet style. Change hook size if necessary to achieve gauge. Alternatively, rework pattern with your own gauge measurements.*

## Crochet Tips

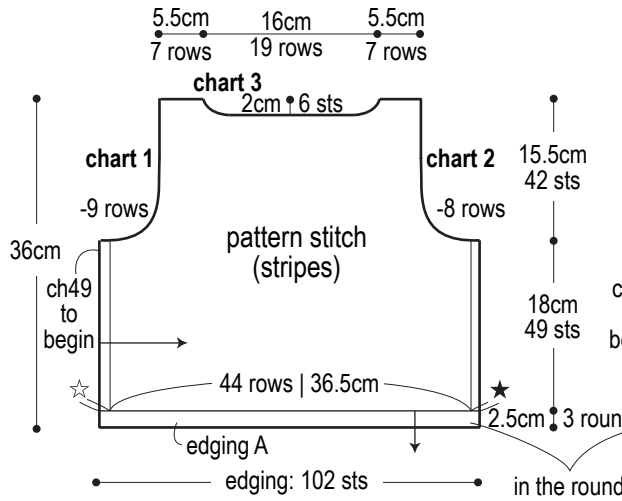
**Front & back body:** Chain to begin, working first row into bottom loops of chain. Work sideways - starting from side seam edge - in pattern stitch (stripes). Refer to schematics for color sequences.

**Finishing:** Seam sides and shoulders with chain seam (alternating chain and slip stitches as needed). Work edging A around hem in the round. Work edging B in the round at neckline and armholes.

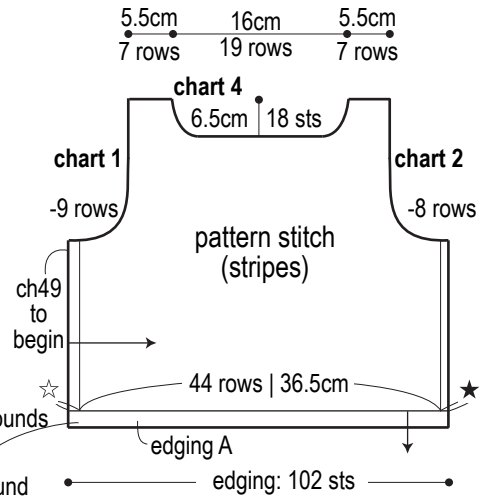
## Abbreviations:

ch = chain  
dc = double crochet (US)  
sc = single crochet (US)  
tr = treble crochet (US)

## Back (3.0mm hook)



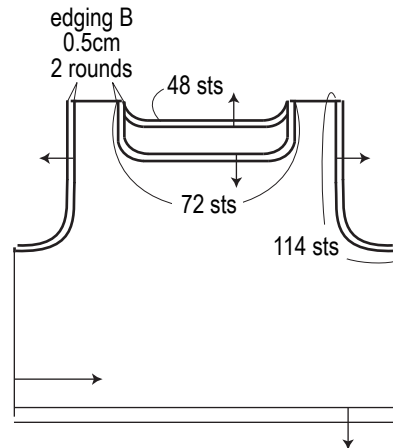
## Front (3.0mm hook)



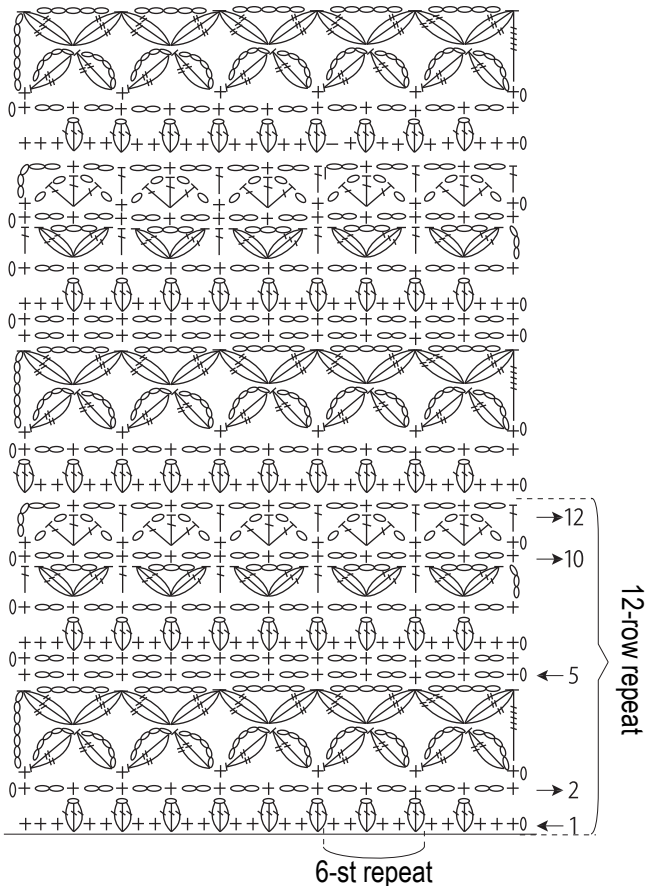
※The differing number of rows at right and left armscyes is due to the pattern stitch.

☆ = 1cm (4 rows)  
★ = 0.5cm (2 rows)

## Neckline & arm edging (3.0mm hook)



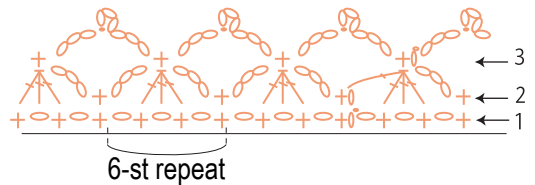
## Pattern stitch (3.0mm hook)



- ⊕ = 3-dc popcorn stitch
- ⊖ = 3-tr bobble stitch
- ⊙ = 3-dc bobble stitch
- ⊗ = crab stitch

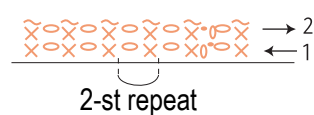
## Edging A (3.0mm hook)

#821 orange sorbet

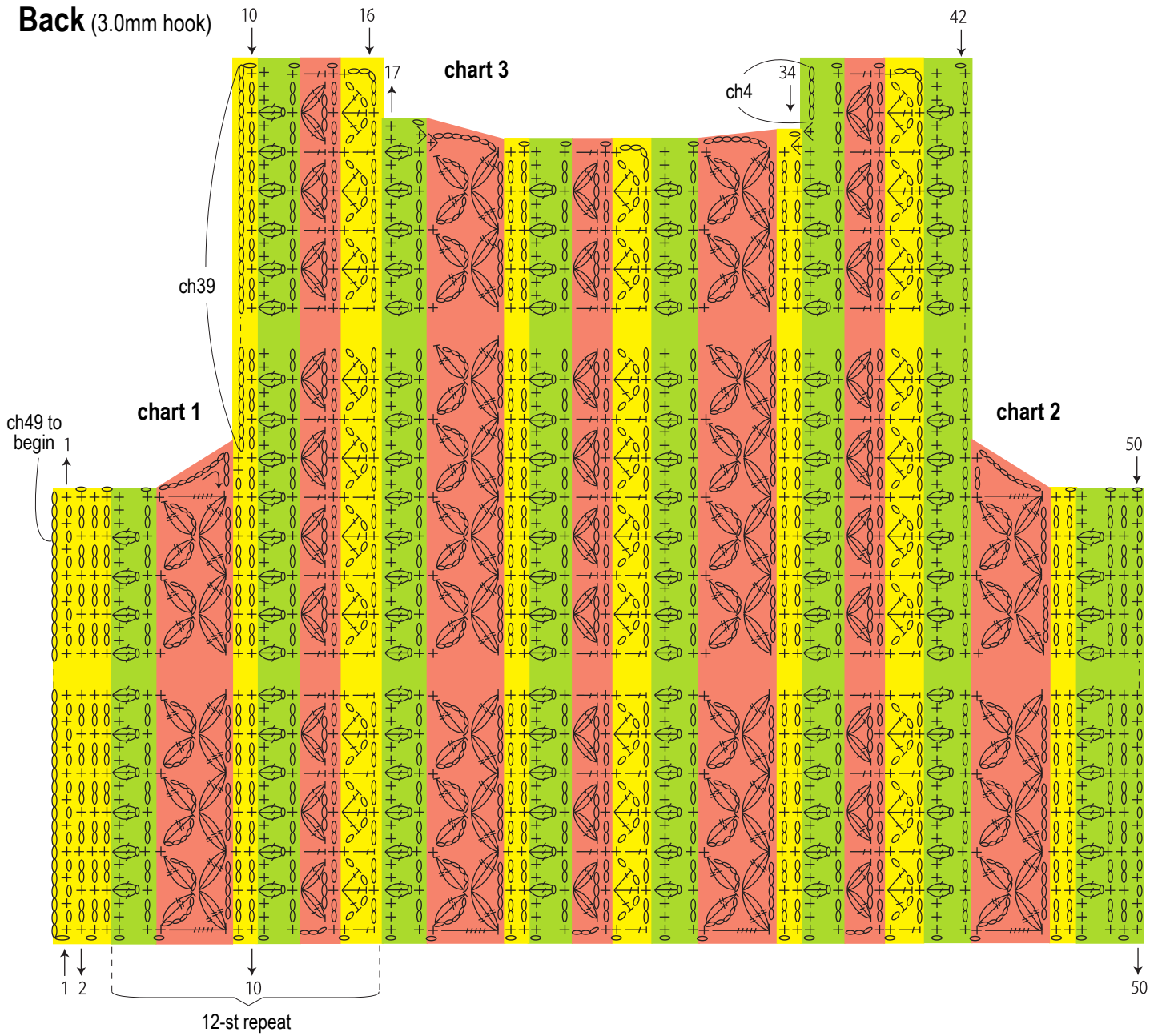


## Edging B (3.0mm hook)

#821 orange sorbet



**Back (3.0mm hook)**



**Front neckline (3.0mm hook)**

- = #509 sunflower
- = #642 lime
- = #821 orange sorbet

