

# 212ss-15 Sogno Lariat & Granny Square Purse



## Suggested yarn:

- Pierrot Yarns Sogno [100% cotton; 85 yds/78m per 1.41 oz./40g skein]; color #02 pink-grape-green, 5 skeins [180g]
- Pierrot Yarns Cotton Neat [100% cotton; 58 yds/53m per 1.41 oz./40g skein]; color #611 coral pink, 2 skeins [50g]

## Tools/Notions:

- 3.5mm (US E) and 4.0mm (US G) crochet hooks or sizes necessary to achieve gauge
- lining fabric, 50cm/19.69" by 50cm/19.69"
- bias tape for piping, 10mm/0.39" thick and 2m/78.74" long

## Finished measurements:

- width 41cm/16.14"
- length 49cm/19.29"

## Gauge (10cm/4" square):

- pattern stitch: 22 sts and 8 rows
- single crochet (US): 18 sts and 25 rows

*Gauge may vary according to individual crochet style. Change hook size if necessary to achieve gauge. Alternatively, rework pattern with your own gauge measurements.*

## Crochet Tips

**Bag:** Create magic ring; work in pattern stitch. Work edging along 2 sides. Work sc along sides marked "mouth of bag". Fold body of bag in two; seam sides with mattress stitch, stopping where indicated. Work 1 round of sc around mouth of bag and sides.

**Handle (make 2):** Work chain to begin; crochet first row into bottom loops of chain. Work in sc. Steam block handles to 49cm/19.29" length with an iron. Fold handle into tube; seam with whipstitch, leaving 4cm/1.57" unseamed on each end. Seam handles to inside of bag.

**Lining:** Sew gathers into mouth areas of lining. Sew bias tape around edges of lining.

**Ruffle (make 2):** Work chain to begin; crochet according to schematics.

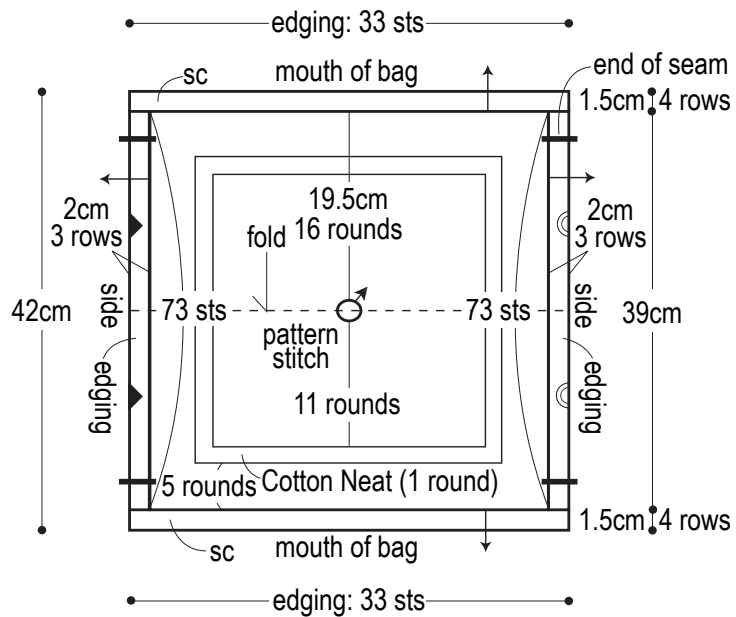
**Finishing:** Seam lining to inside of bag. Seam ruffle to mouth of bag. Thread cord through sides.

**Lariat:** Work chain to begin; crochet according to schematics. \*Note: ruffles and lariat use same pattern.

## Abbreviations:

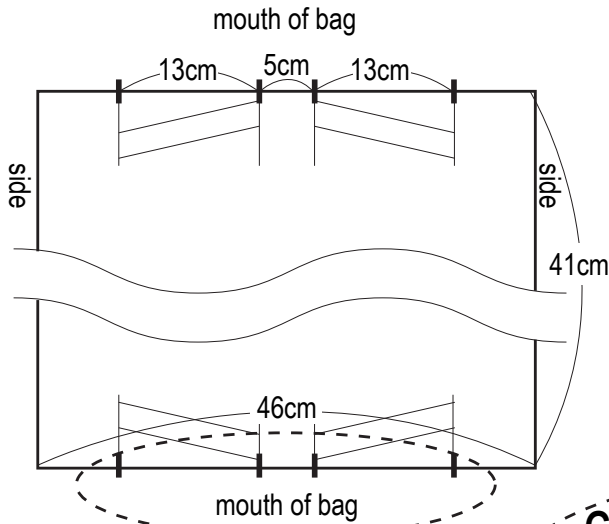
ch = chain      dc = double crochet (US)      m = magic ring      sc = single crochet (US)

**Bag** (Sogno; 3.5mm hook)

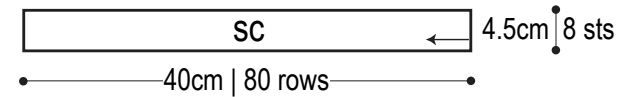


◉ • ▲ = Align these symbols & seam with mattress stitch.

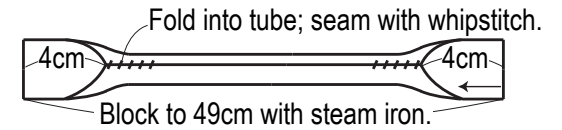
**Lining** (wrong side)



**Handle: make 2** (Cotton Neat; 3.5mm hook)

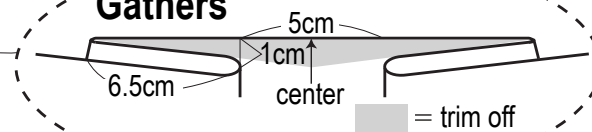


**Handle finishing**

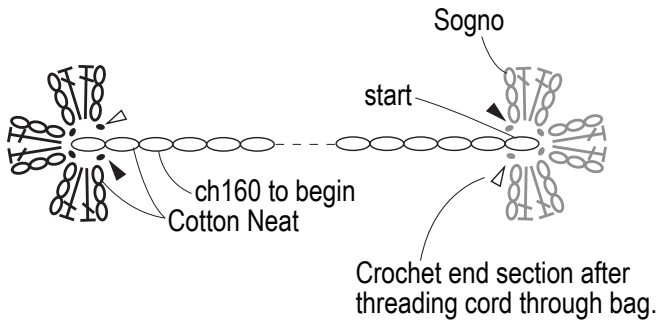


※Length of handle will vary according to your gauge.

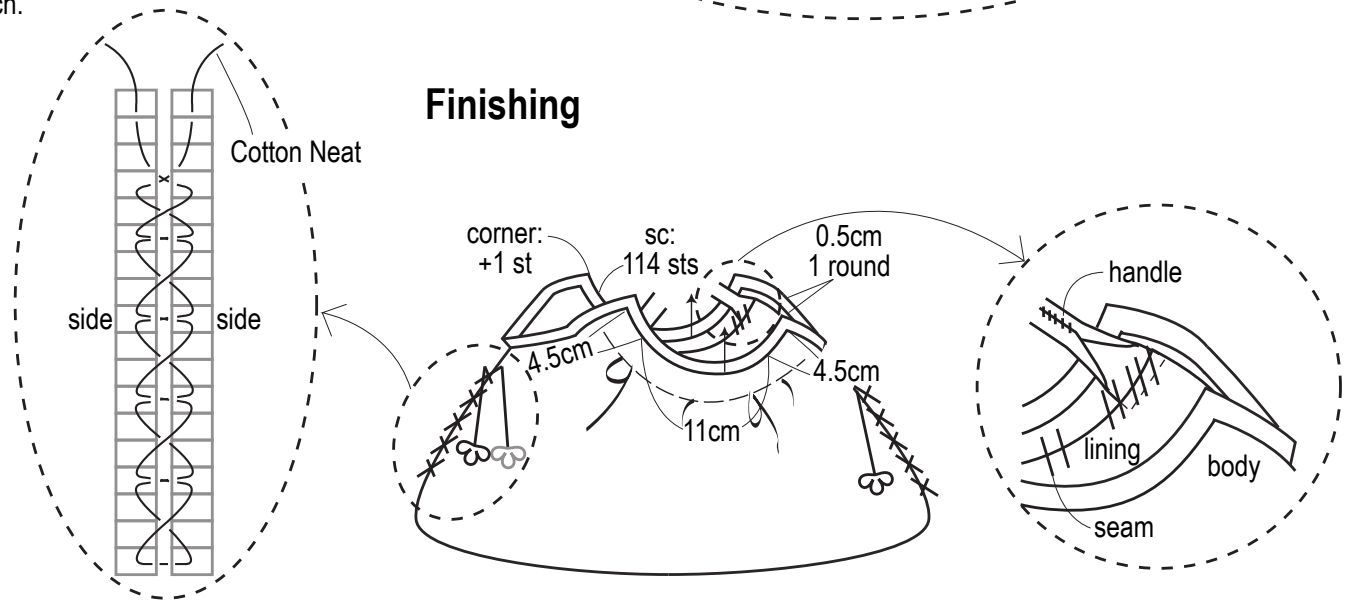
**Gathers**



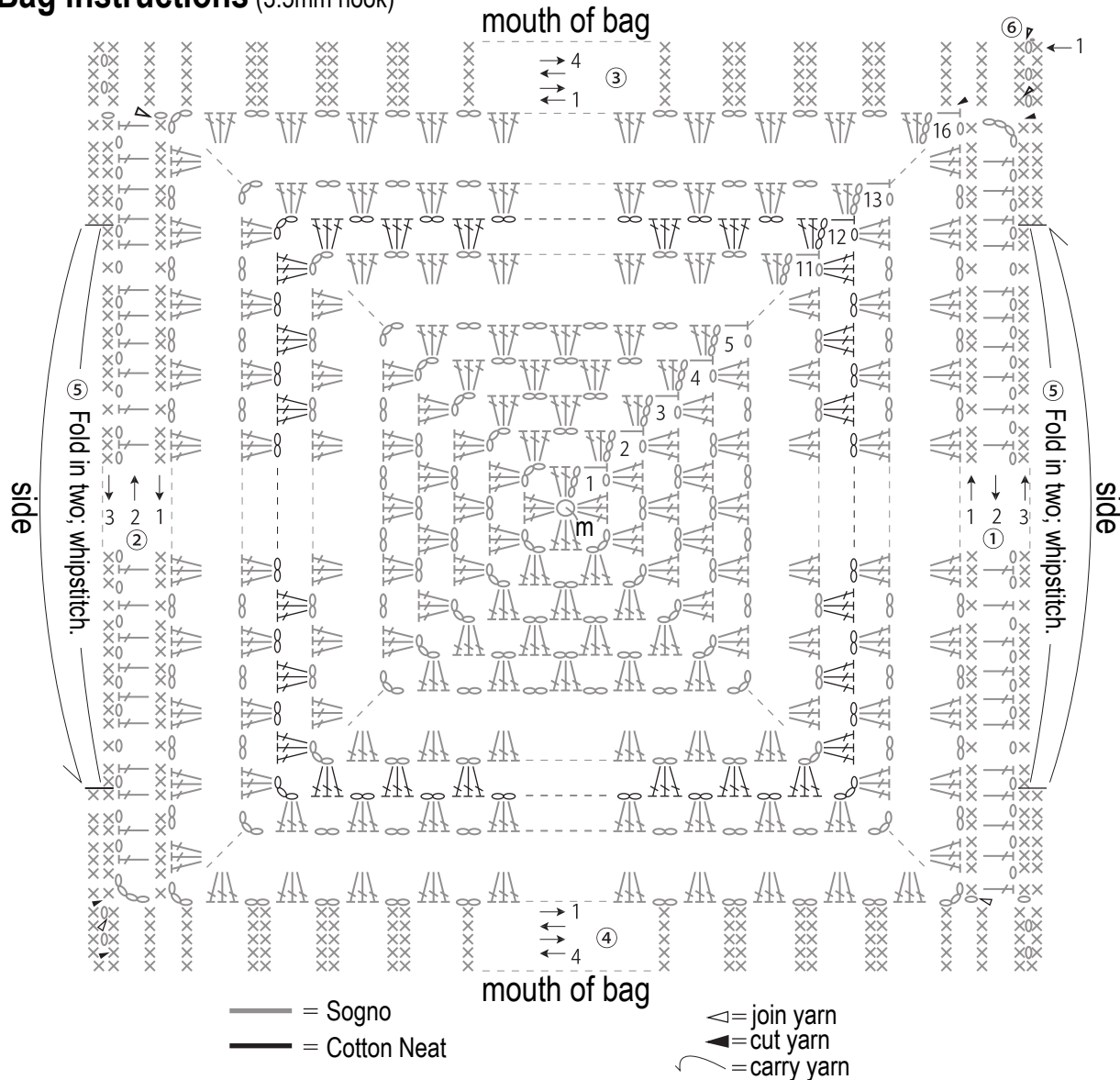
**Cord** (4.0mm hook)



**Finishing**



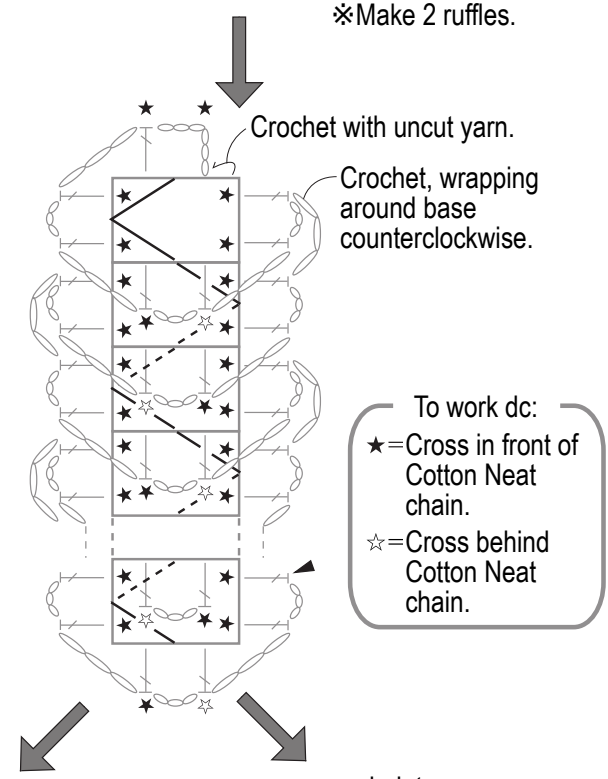
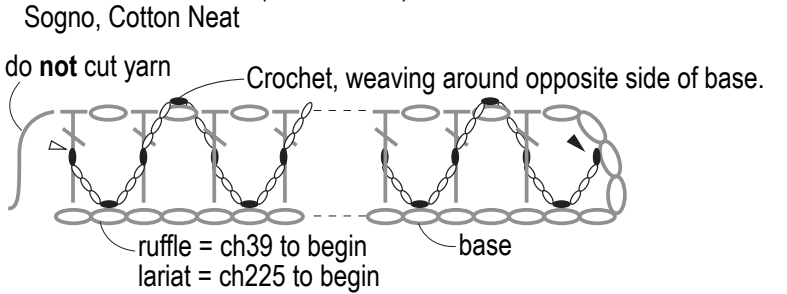
# Bag instructions (3.5mm hook)



- ①•②... Work 3 rows of edging along 2 sides of body.
- ③•④... Work 4 rows of sc along 2 sides of body.
- ⑤... Fold body in two; seam from center of fold to "seam end" mark.
- ⑥... Work 1 round of sc around mouth end unseamed portion of sides.

— = Sogno  
 — = Cotton Neat  
 ◁ = join yarn  
 ▶ = cut yarn  
 ↷ = carry yarn

# Ruffle & lariat (4.0mm hook)



To work dc:  
 ★ = Cross in front of Cotton Neat chain.  
 ☆ = Cross behind Cotton Neat chain.

