

211F-25 Foire Vest



Suggested yarn:

- Pierrot Yarns Foire DK [100% wool; 90 yds/82m per 1.41 oz./40g skein]; color #24 grage, 7 skeins [250g]

Tools/Notions:

- 3.3mm (approx. US 3) and 3.9mm (approx. US 6) knitting needles or sizes necessary to achieve gauge
- 3.0mm (approx. US C or D) crochet hook or size necessary to achieve gauge
- 3 buttons (25mm/0.98")

Finished measurements:

- bust 90.5cm/35.63"
- cross back width 39cm/15.35"
- length 51cm/20.08"

Gauge (10cm/4" square):

- stockinette stitch: 21 sts and 28 rows
- seed stitch: 20 sts and 35 rows

Gauge may vary according to individual knitting style. Change needle size if necessary to achieve gauge. Alternatively, rework pattern with your own gauge measurements.

Knitting Tips

Front & back body: Cast on with long-tail cast-on method; work in k1p1 ribbing followed by stockinette stitch. Crochet front buttonbands in pattern stitch, working buttonholes in right front band only.

Pocket: Cast on with long-tail cast-on method. Work in seed stitch. Seam to front where shown.

Finishing: Seam sides with mattress stitch. Seam shoulders with slip stitch. Crochet 3 rows of edging along neckline. Crochet 3 rounds of edging at each armhole. Sew buttons to left front buttonband.

Abbreviations:

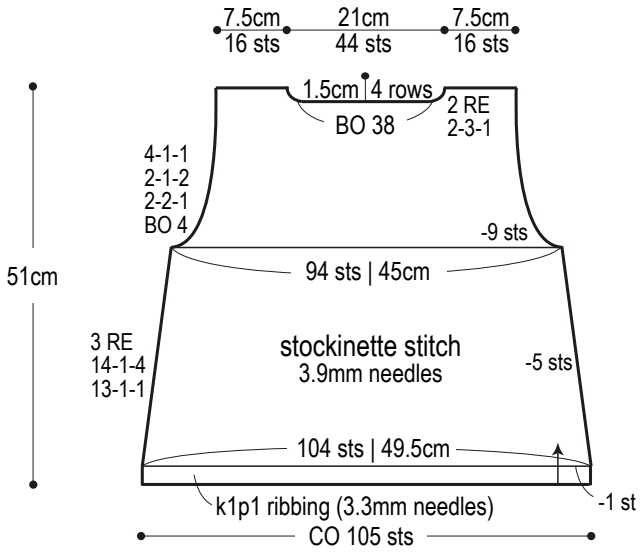
BO = bind off

CO = cast on

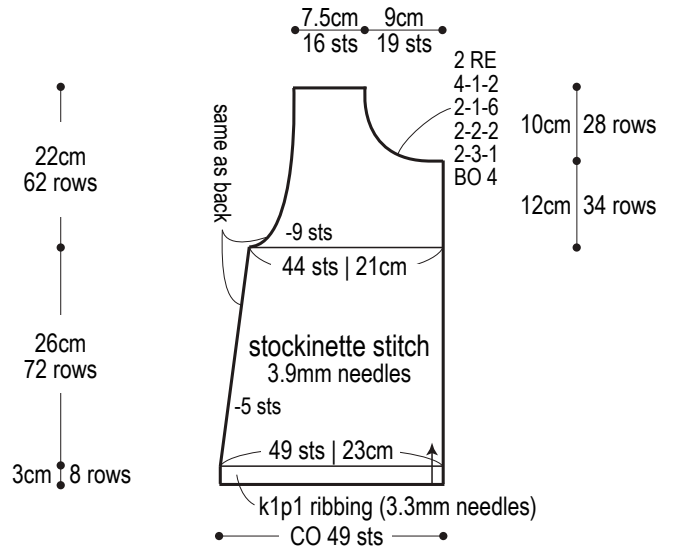
RE = row(s) even

= rows-stitches-times

Back

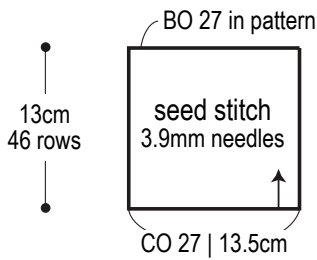


Right front

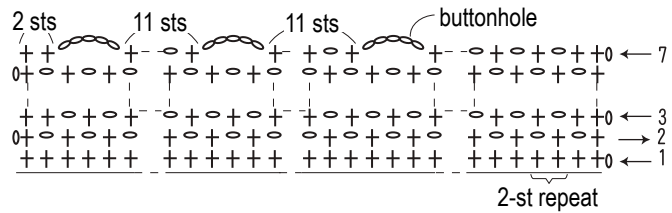


*Reverse shaping for left front.

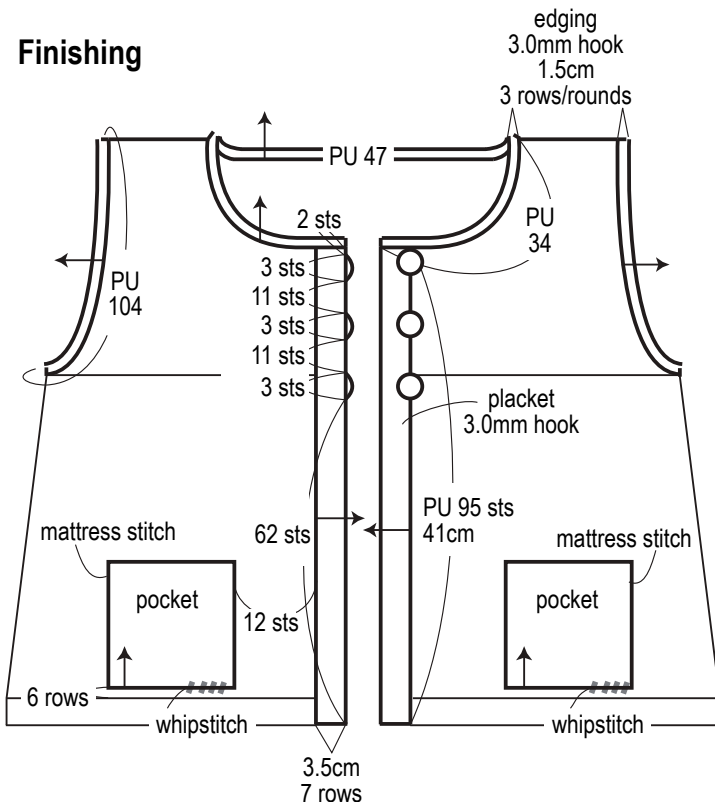
Pocket (make 2)



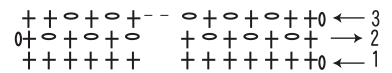
Front placket & buttonholes (3.0mm hook)



Finishing



Neckline edging (3.0mm hook)



Armhole edging (3.0mm hook)

